



M9 / M11 Self -Contained Steam Sterilizer

[English](#)

[Español](#)

[Français](#)

For Models:

M9 (-033 / -034)

M11 (-033 / -034)



VA1044

User Guide

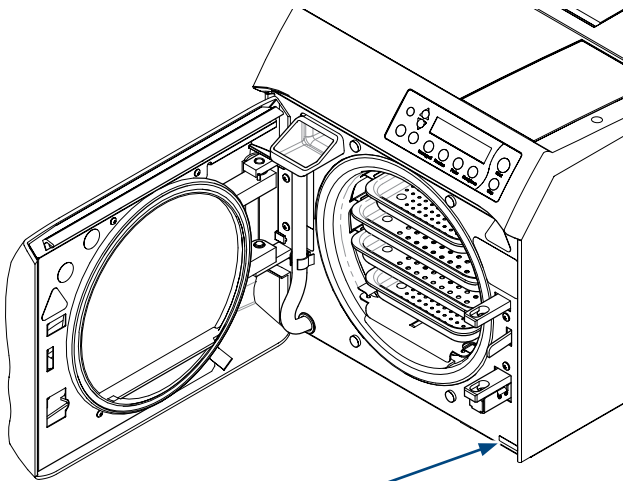
Product Information

Dealer :

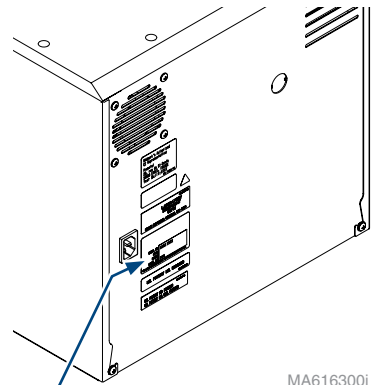
Date of Purchase:

Model / Serial Number:

Authorized Service Company:



Serial Number



**Model / Serial
Number Label**

MA616300i

Table of Contents

Important Information

<i>Safety Instructions</i>	4
<i>Intended Use</i>	4
<i>Electromagnetic Interference</i>	4
<i>Safety Symbols</i>	4
<i>Shipping Symbols</i>	5
<i>Transportation / Storage Conditions</i>	5
<i>Accessories</i>	5
<i>Included with Sterilizer</i>	6
<i>Component Location</i>	7
<i>Controls and Indicators</i>	8
<i>Sterilization Monitoring Guidelines</i>	10

Installation

<i>Operating Environment</i>	11
<i>Location Requirements</i>	11
<i>Electrical Requirements</i>	12
<i>Connecting the Power Cord</i>	13

Operation

<i>Before Operating the Sterilizer</i>	14
<i>Filling the Reservoir</i>	14
<i>Qualification Testing</i>	15
<i>Guidelines for Loading</i>	15
<i>Cycle Parameters</i>	19
<i>Cycle Operation</i>	20
<i>Post Sterilization Processing</i>	23
<i>Unloading Hot Trays and Cassettes</i>	24
<i>Programmable Cycle Buttons</i>	26

Maintenance

<i>Maintenance Messages</i>	28
<i>Daily Maintenance</i>	29
<i>Weekly Maintenance</i>	30
<i>Monthly Maintenance</i>	32
<i>Extended Use Maintenance</i>	34

Printer (optional)

<i>Operating the Printer</i>	35
<i>Power-Up Message</i>	35
<i>Printer Tape Description</i>	35
<i>Example of Typical Printout of a Program Cycle</i>	36
<i>Ribbon Cartridge Replacement</i>	37
<i>Paper Roll:</i>	
<i>Removal</i>	37
<i>Installation</i>	38

Troubleshooting

<i>Troubleshooting Chart</i>	39
<i>Informational Messages</i>	40
<i>Error Messages</i>	40
<i>Calling for Service</i>	42

Specifications / Compliance

<i>Specifications Chart:</i>	
<i>M9</i>	43
<i>M11</i>	44
<i>Water Purity Specifications</i>	45

Warranty Information

<i>Warranty Information</i>	46
-----------------------------------	----

Important Information

Safety Instructions

The primary concern of Midmark is that this equipment is operated and maintained with the safety of the patient and staff in mind. To assure safe and reliable operation:

- Read and understand this manual before attempting to install or operate the sterilizer.
- Assure that the appropriate personnel are informed on the contents of this manual. (This is the responsibility of the purchaser).
- Assure that this manual is located near the sterilizer, or if possible, permanently affixed to the sterilizer.

Intended Use

The M9 / M11 Ultraclave can be used in veterinary offices, hospitals, clinics, laboratories, and other facilities to sterilize heat and moisture stable reusable items (including dental handpieces) that are compatible with steam sterilization. Refer to '**Loading Trays**' and '**Standard Cycle Parameters**' later in this manual for detailed information.

Electromagnetic Interference

This sterilizer is designed and built to minimize electromagnetic interference with other devices. However, if interference is noticed between another device and this product:

- Remove interfering device from room
- Plug sterilizer into isolated circuit
- Increase separation between sterilizer and interfering device
- Contact Midmark if interference persists

Safety Symbols



DANGER

Indicates an imminently hazardous situation which will result in serious or fatal injury. This symbol is used only in the most extreme conditions.



WARNING

Indicates a potentially hazardous situation which could result in serious injury.



Caution

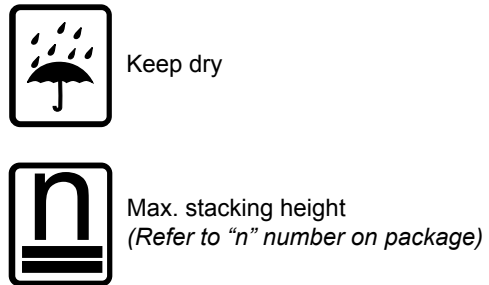
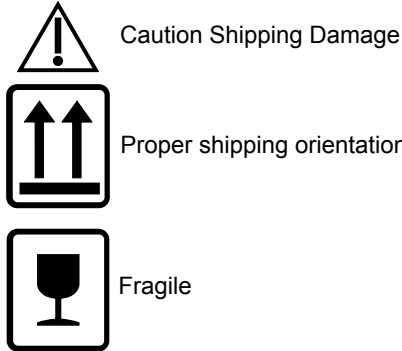
Indicates a potentially hazardous situation which may result in minor or moderate injury. It may also be used to alert against unsafe practices




Equipment Alert

Indicates a potentially hazardous situation which could result in equipment damage.

Shipping Symbols



Transportation / Storage Conditions

	Equipment Alert Water must be drained from the unit's reservoir before transporting / storing below +32° (0°C).
Ambient Temperature Range:	-22°F to 140°F (-30°C to +60°C)
Relative Humidity:	10% to 90% (non-condensing)
Atmospheric Pressure:	7.2 psia to 15.4 psia (49.6 kPa to 106.4 kPa)

Accessories

Unless noted, accessory can be used on the M9 and M11.

Accessory Name	Order Number
Speed-Clean, 1 (16oz. [.47 liter]) bottle	002-0396-00
Speed-Clean, 1 case (12 - 16oz. [.47 liter]) bottles	002-0396-05
Printer	9A259001
Printer refill kit (includes 1 printer cartridge & 1 paper roll)	002-0371-00
Cassette Rack (Horizontal)	9A215001 (M11 only)
Cassette Rack (Vertical)	9A215002 (M11 only)
Pouch Rack	9A226001
Tray / Cassette Tool	9A307001

Included with Sterilizer

Speed-Clean



Care / Operation Card

MIDMARK Caring for your M9 / M11 sterilizer...

Weekly Maintenance

Drain Tube
Door Gasket
Drain Gasket
Tray Rack

Tray Filter
(Remove filter of this part daily from front of treatment)

Clean External Surfaces & Gaskets

Caution:
To prevent burns, allow unit to cool before cleaning panels and external surfaces.

- Wipe external surfaces & gaskets with a soft damp cloth and mild soap / detergent.
- Gaskets also require dry cleaning.

Clean Internal Surfaces

Equipment Alert:
Failure to change water may result in sterilizer malfunction.

- Drain water from the reservoir using drain.
- Close top door of unit, and inside of chamber with mild soap or Speed-Clean and distilled water.
- Indefinite use with clean, distilled water.

Monthly Maintenance

Air Filter Screens
P/U / Vent Filter Screen
Chamber Drain
Tray Filter

WARNING:
Do not process instruments while flushing system.

Equipment Alert:
Failure to flush system with Speed-Clean or use of other reservoir chemicals, may result in the temperature failure of sterilization processes.

Flush System

- With a closed chamber, drain reservoir and fill with clean, distilled water. Add one ounce of Speed-Clean Sterilizer Cleaner directly to the bottom of chamber.
- Press one **Pressure** key (P).
- Press **Stop** button when **Cycle** begins.
- Drain reservoir and refill with clean, distilled water.
- Repeat by running one **Unwrap** cycle (U).
- Drain and refill reservoir with clean, distilled water, then allow sterilizer to cool.

Clean Filter Screens (P/U / vent, and air)

Equipment Alert:
Do not operate sterilizer without filter in place.

- Allow sterilizer to cool, then remove trays / rack / racks.
- Order to the maintenance for routine filter cleaning.
- Put **Final Filter** to replace (Use glove if necessary).
- Clean filter with Speed-Clean and distilled water.
- Remove filter / disks cannot be removed by cleaning.
- Always drain with distilled water.
- Install filter / disks (check for correct seating angle).
- Install tray, racks, and trays.

Check Pressure Relief Valve

Remove "Clean" Impact Gaskets

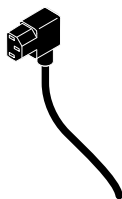
*** Refer to the Installation / Operation Manual for complete list of maintenance procedures**

Speed-Clean SDS Sheet

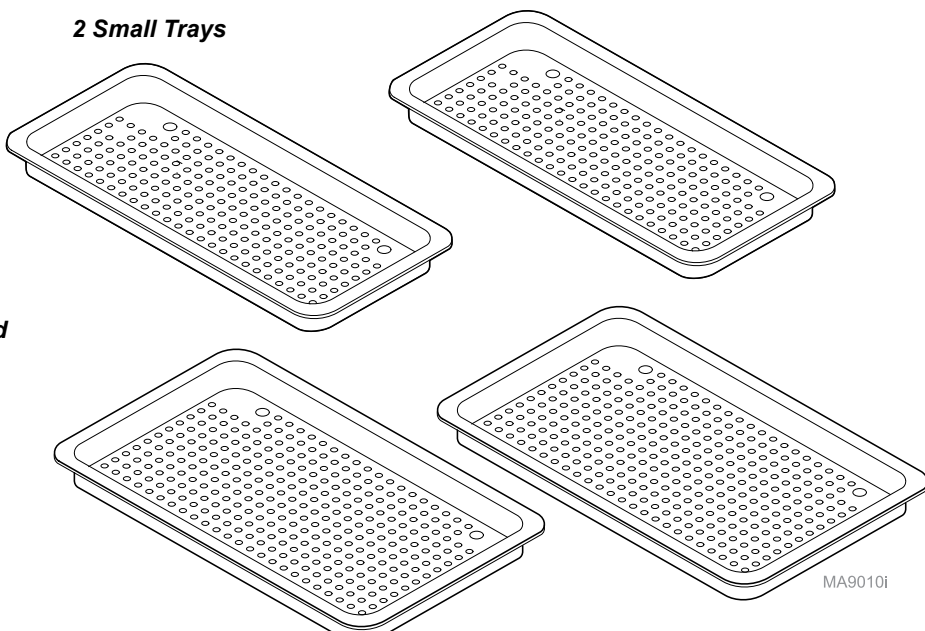
Midmark Corporation	
075403540 Rev. P Data Created: June 2007 Revised February 2015 Page 1 of 6	
SAFETY DATA SHEET	
Section 1: Identification	
1.1. Product Identifier Speed-Clean	
1.2. Recommended Use and Restrictions on Use Sterilizer Cleaner	
1.3. Supply Details Developed For: Midmark Corporation Address: 60 Vista Drive, P.O. Box 296, Versailles, OH 43380-0296, USA Telephone: 614-928-0000	
1.4. Emergency Telephone Number: (937) 526-6498	
Section 2: Hazard Identification	
2.1. Hazard Classification Skin Irritation Category 2 Eye Irritation Category 2A	
2.2. Label Elements Signal Word Warning	
2.3. Label Elements Signal Word Warning	
2.4. Label Elements Signal Word Warning	
2.5. Label Elements Signal Word Warning	
2.6. Label Elements Signal Word Warning	
2.7. Label Elements Signal Word Warning	
2.8. Label Elements Signal Word Warning	
2.9. Label Elements Signal Word Warning	
2.10. Label Elements Signal Word Warning	
2.11. Label Elements Signal Word Warning	
2.12. Label Elements Signal Word Warning	
2.13. Label Elements Signal Word Warning	
2.14. Label Elements Signal Word Warning	
2.15. Label Elements Signal Word Warning	
2.16. Label Elements Signal Word Warning	
2.17. Label Elements Signal Word Warning	
2.18. Label Elements Signal Word Warning	
2.19. Label Elements Signal Word Warning	
2.20. Label Elements Signal Word Warning	
2.21. Label Elements Signal Word Warning	
2.22. Label Elements Signal Word Warning	
2.23. Label Elements Signal Word Warning	
2.24. Label Elements Signal Word Warning	
2.25. Label Elements Signal Word Warning	
2.26. Label Elements Signal Word Warning	
2.27. Label Elements Signal Word Warning	
2.28. Label Elements Signal Word Warning	
2.29. Label Elements Signal Word Warning	
2.30. Label Elements Signal Word Warning	
2.31. Label Elements Signal Word Warning	
2.32. Label Elements Signal Word Warning	
2.33. Label Elements Signal Word Warning	
2.34. Label Elements Signal Word Warning	
2.35. Label Elements Signal Word Warning	
2.36. Label Elements Signal Word Warning	
2.37. Label Elements Signal Word Warning	
2.38. Label Elements Signal Word Warning	
2.39. Label Elements Signal Word Warning	
2.40. Label Elements Signal Word Warning	
2.41. Label Elements Signal Word Warning	
2.42. Label Elements Signal Word Warning	
2.43. Label Elements Signal Word Warning	
2.44. Label Elements Signal Word Warning	
2.45. Label Elements Signal Word Warning	
2.46. Label Elements Signal Word Warning	
2.47. Label Elements Signal Word Warning	
2.48. Label Elements Signal Word Warning	
2.49. Label Elements Signal Word Warning	
2.50. Label Elements Signal Word Warning	
2.51. Label Elements Signal Word Warning	
2.52. Label Elements Signal Word Warning	
2.53. Label Elements Signal Word Warning	
2.54. Label Elements Signal Word Warning	
2.55. Label Elements Signal Word Warning	
2.56. Label Elements Signal Word Warning	
2.57. Label Elements Signal Word Warning	
2.58. Label Elements Signal Word Warning	
2.59. Label Elements Signal Word Warning	
2.60. Label Elements Signal Word Warning	
2.61. Label Elements Signal Word Warning	
2.62. Label Elements Signal Word Warning	
2.63. Label Elements Signal Word Warning	
2.64. Label Elements Signal Word Warning	
2.65. Label Elements Signal Word Warning	
2.66. Label Elements Signal Word Warning	
2.67. Label Elements Signal Word Warning	
2.68. Label Elements Signal Word Warning	
2.69. Label Elements Signal Word Warning	
2.70. Label Elements Signal Word Warning	
2.71. Label Elements Signal Word Warning	
2.72. Label Elements Signal Word Warning	
2.73. Label Elements Signal Word Warning	
2.74. Label Elements Signal Word Warning	
2.75. Label Elements Signal Word Warning	
2.76. Label Elements Signal Word Warning	
2.77. Label Elements Signal Word Warning	
2.78. Label Elements Signal Word Warning	
2.79. Label Elements Signal Word Warning	
2.80. Label Elements Signal Word Warning	
2.81. Label Elements Signal Word Warning	
2.82. Label Elements Signal Word Warning	
2.83. Label Elements Signal Word Warning	
2.84. Label Elements Signal Word Warning	
2.85. Label Elements Signal Word Warning	
2.86. Label Elements Signal Word Warning	
2.87. Label Elements Signal Word Warning	
2.88. Label Elements Signal Word Warning	
2.89. Label Elements Signal Word Warning	
2.90. Label Elements Signal Word Warning	
2.91. Label Elements Signal Word Warning	
2.92. Label Elements Signal Word Warning	
2.93. Label Elements Signal Word Warning	
2.94. Label Elements Signal Word Warning	
2.95. Label Elements Signal Word Warning	
2.96. Label Elements Signal Word Warning	
2.97. Label Elements Signal Word Warning	
2.98. Label Elements Signal Word Warning	
2.99. Label Elements Signal Word Warning	
2.100. Label Elements Signal Word Warning	

2 Large Trays

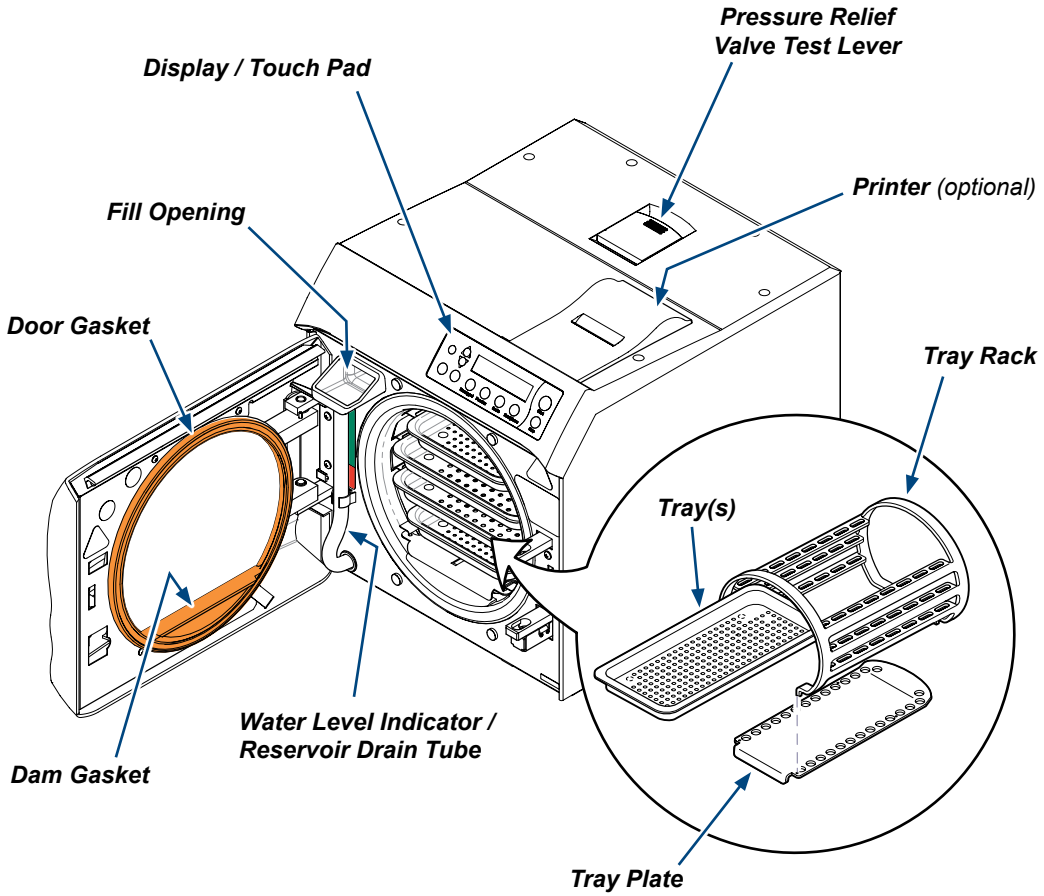
2 Small Trays



Power Cord



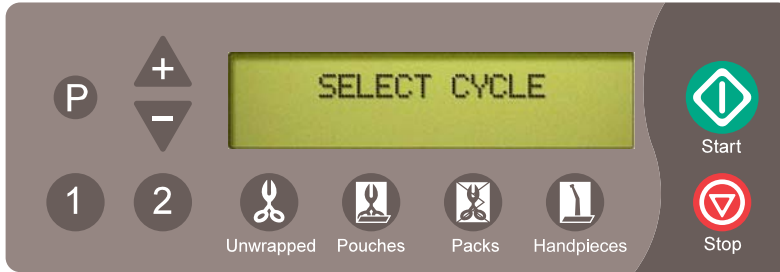
Component Location



SA1775i

Controls & Indicators

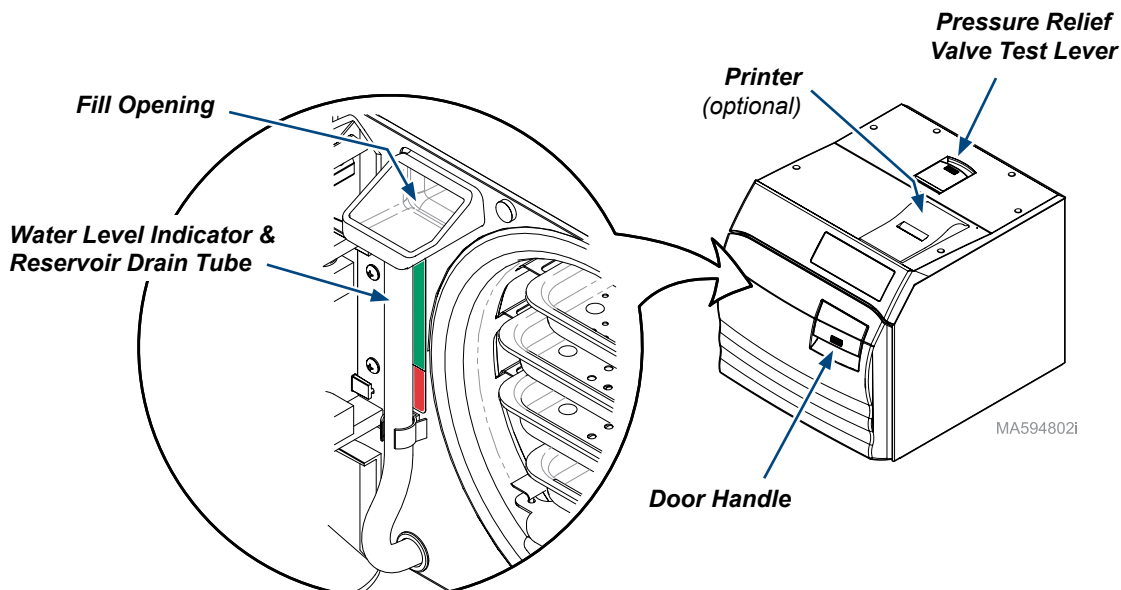
The sterilizer controls and indicators are shown in the illustrations on this, and the following page. The accompanying tables describe the function of each control / indicator.






MA594801i

Control	Function	
Display	see illustration	Indicates cycle selected, cycle temperature and exposure time for the selected cycle. During the cycle, display shows messages describing status of cycle. When cycle enters sterilization mode, remaining cycle time is displayed as well as temperature and pressure. Display also shows error message if a malfunction occurs. Refer to the <i>Troubleshooting</i> section of this manual for a detailed explanation of <i>Informational / Error Messages</i> .
Unwrapped button		A program cycle designed to process unwrapped instruments at: 270° F (132° C) for 3:00 minutes / 30 minute drying cycle.
Pouches button		A program cycle designed to process instruments in combination paper / plastic sterilization pouches or wrapped instruments at: 270° F (132° C) for 5 minutes / 30 minute drying cycle.
Packs button		A Program cycle designed to process packs of instruments or textiles at: 250° F (121° C) for 30 minutes / 30 minute drying cycle.
Handpieces button		A program cycle for dental handpieces which runs at: 270° F (132° C) for 6 minutes / 30 minute drying cycle.
Start button		Initiates selected program or, when SELECT CYCLE is displayed, pressing Start will activate heater for 10 minutes.
Stop button		Terminates selected program or function.
1 or 2 buttons NOTE: All material run in these cycles must be validated for sterilization by the user.		Programmable cycle buttons that allows an operator to create two different programmed cycles for special applications. Sterilization time and temperature, along with drying time and venting procedure can be adjusted or changed.

Controls & Indicators - continued



Control		Function
P button		Programming mode button that allows operator to change temperature, time, dry time and/or venting procedure. Used in conjunction with buttons 1 or 2. (Refer to Programming Mode).
+ (plus) button		Allows temperature, time, or dry time to be increased or changes Vent to Fast mode when in location 1 or 2 and the P (programming) mode is activated.
- (minus) button		Allows temperature, time, or dry time to be decreased or changes Vent to Slow mode when in location 1 or 2 and the P (programming) mode is activated.
Door Handle	refer to illustration	For latching / opening door.
Water Level Indicator / Reservoir Drain Tube	refer to illustration	Shows amount of water in reservoir. Tube also used for drainage of reservoir into suitable container.
Fill Opening	refer to illustration	Access for filling reservoir with water.
Pressure Relief Valve Test Lever	refer to illustration	Allows operator to check pressure relief valve.
Printer (Optional)	refer to illustration	The printer (optional equipment) can be used to provide a permanent record of time, temperature, and pressure during a cycle.

Sterilization Monitoring Guidelines

Note

This information below is provided for reference only. Contact appropriate state/local agencies for specific sterilization guidelines for your office. Additional information on infection control is available from the Centers for Disease Control and Prevention (CDC), Organization for Safety and Asepsis Procedures (OSAP), and Association for the Advancement of Medical Instrumentation (AAMI).

Physical Monitors

Temperature and pressure measuring devices can help detect sterilizer malfunctions. The sterilizer's control system aborts the cycle and displays a message if physical conditions go outside established limits. The optional printer can be used to create a record of each load's actual cycle time, temperature, and pressure.

Note

Use only FDA cleared chemical & biological indicators designed for steam sterilization that are compatible with the particular sterilization cycle temperature and exposure time being monitored. Use sterility monitors with each sterilization load. If a sterilizing cycle is terminated prematurely, reprocess instruments to ensure sterility of the load. Follow manufacturer's instructions for proper disposal of used indicators.

Chemical Indicators


Chemical indicators are designed to verify that conditions in the sterilizer chamber were adequate to achieve sterilization. They do not validate that a processed item is sterile. If a chemical indicator shows a failure, items in that load are considered non-sterile. Potential causes for sterilization failure include: improper cleaning, packing, loading, or a sterilizer malfunction. Determine the cause of any sterilization failure, and remedy the situation before running the next cycle. Only FDA cleared chemical indicators labeled for use with the nontraditional steam sterilization cycle parameters. e.g. temperature and exposure time, of the M9 / M11 Sterilizers should be used for monitoring the cycles. Follow the chemical indicator's instructions for proper storage, use, interpretation, and disposal.

Biological Indicators

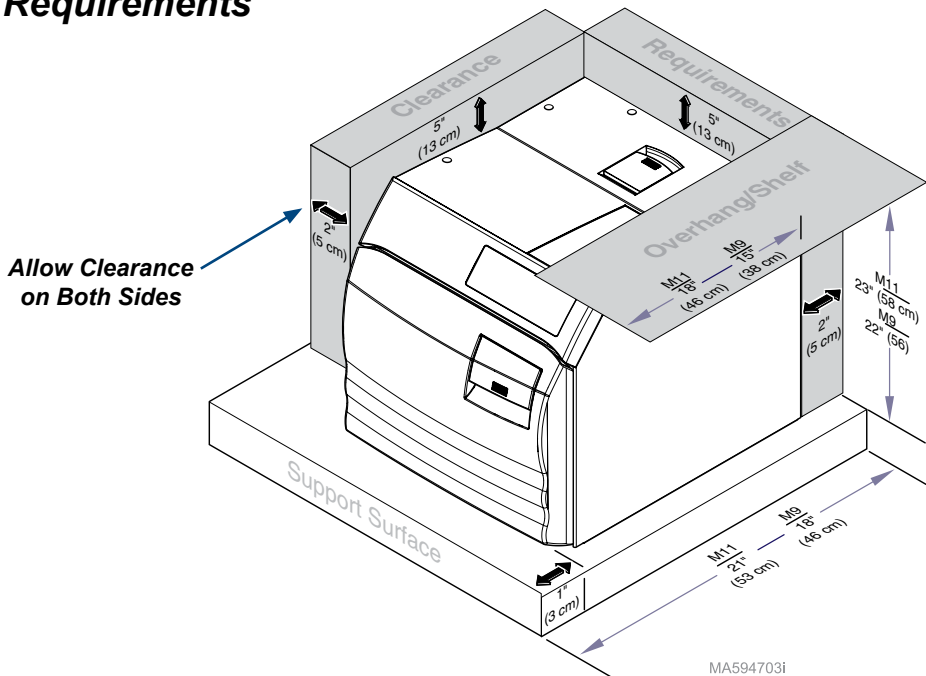
Biological indicators are microbiological devices designed to accompany items being sterilized to monitor adequacy of the sterilization process. If a biological indicator shows a failure, items in that load are considered non-sterile. Potential causes for sterilization failure include: improper cleaning, packing, loading, or a sterilizer malfunction. Determine the cause of any sterilization failure, and remedy the situation before running the next cycle. Only FDA cleared biological indicators labeled for use with the nontraditional steam sterilization cycle parameters. e.g. temperature and exposure time, of the M9 / M11 Sterilizers should be used for monitoring the cycles. Follow the biological indicators instructions for proper storage, use, interpretation, and disposal.

Installation

Operating Environment

 Equipment Alert Allow unit to reach room temperature before operating. Failure to do so may result in damage to sterilizer.	
Ambient Temperature Range:	68°F to 104°F (+20°C to +40°C)
Relative Humidity:	< 80% (non-condensing) (Pollution Degree 2, in accordance to IEC664)
Normal Operating Altitude:	< 9842 ft. (3000 m) above sea level
Device approved for INDOOR USE ONLY.	
Device to be operated in a relatively dust-free environment. (Pollution Degree 2, in accordance to IEC664)	
Device should be connected to a power source with over-voltage limits less than 1500 watts from mains to ground. (Installation Category II in accordance to IEC664)	
The M9 and M11 will emit 5000 BTU / HR during operation.	

Location Requirements



Installation

Location Requirements continued...

Support Surface

- Material should be water-resistant material. (Ex. laminate, stainless steel, stone, etc.)
- Surface must be level to ensure chamber fills with correct water level.
Improper water level in the chamber could cause a sterilizer malfunction.
- Surface should meet minimum dimensions listed below:

Dimensions

Depth (front to back) **M11** - 21" (53 cm) **M9** - 18" (46 cm)

Clearance Requirements

To ensure proper air circulation, and to allow access to the reservoir fill port and drain coupling, adhere to the minimum clearance requirements listed below. If the sterilizer will be operated in continuous cycles, locate sterilizer where steam will not damage materials or equipment in the surrounding area.

Back of Unit - Back Wall..... 2" (5 cm)
 Front Support Surface - Front Sterilizer 1" (3 cm)
 Sides of Unit - Side Wall 2" (5 cm)
 Distance above Unit for Printer Access..... 5" (13 cm)
 Maximum Upper Cabinet / Shelf Overhang ... **M11** - 18" (46 cm) **M9** - 15" (38 cm)
 Under Cabinet or Shelf..... **M11** - 23" (58 cm) **M9** - 22" (56 cm)

Relocation Requirements for Sterilizer

- Disconnect power cord from electrical outlet and allow sterilizer to cool.
- Drain water from reservoir or do not tip sterilizer, allowing water to spill.

Electrical Requirements



WARNING

For 115 VAC models: Use 104 - 127 VAC, 50/60 Hz alternating current only.

For 230 VAC models: Use 207 - 253 VAC, 50/60 Hz alternating current only.

Failure to do so may result in electric shock to personnel and / or damage to sterilizer.

Note

For safety, the unit must be connected to a properly polarized and grounded receptacle. Always use a power cord with grounding connections that match the receptacles in your location.

115 VAC Unit:	115 VAC, 50/60 Hz, 12 amp Dedicated Supply Circuit*: 120 VAC, 50/60 Hz, 15 amp Max. Power Consumption: 1425 Watts
230 VAC Unit:	230 VAC, 50/60 Hz, 6.5 amp Dedicated Supply Circuit*: 230 VAC, 50/60 Hz, 10 amp Max. Power Consumption: 1500 Watts

*** Power source must have over-voltage limits less than 1500 watts from mains to ground.**
(Installation Category II in accordance to IEC664)

Connecting the Power Cord



WARNING

Equipment is not suitable for use in the presence of a flammable anesthetic mixture with oxygen, air, or nitrous oxide.

Clarification: Equipment is suitable for use in the presence of oxygen, air, or nitrous oxide.



WARNING

Check the serial number label on back panel of sterilizer to verify voltage rating for the unit. Failure to connect sterilizer to an appropriate power supply could result in damage to the unit, and electrical shock to personnel.



Equipment Alert

For optimal performance, allow sterilizer to reach room temperature before operating.

To connect the power cord...

- A) Plug power cord into receptacle on back of sterilizer.
- B) Plug power cord into a properly polarized and grounded receptacle rated for a minimum of 15 amps. A dedicated circuit only used for the sterilizer is recommended.

Note: When power is connected, the messages shown below will appear on the display.

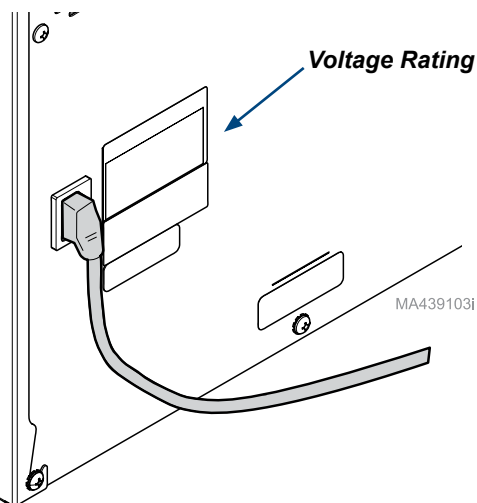
Display:

INITIALIZING
SYSTEM

*

TOTAL CYCLES XXXX
M9, vXX.XX

SELECT CYCLE



* This screen will display the total number of cycles run on the unit, the model number (M9 or M11), and the software version number.

Operation

Before Operating the Sterilizer...



WARNING

Do not use this sterilizer for sterilizing volatile substances or for any purpose other than its intended design. Burns and toxic or explosive conditions could result.

Do not force door handle at any time. Chamber pressure may cause door to open with extreme force. If door handle does not move freely, allow until to cool and depressurize for 40 minutes before opening door. Failure to adhere could result in serious personal injury.

Do not run the sterilizer without the tray plate in place. If the sterilizer malfunctions, immediately unplug sterilizer, and call for service; do not attempt to repair the sterilizer yourself. Doing so could result in serious injury.



Caution

Programmable cycles 1 & 2 are provided for those applications requiring sterilization parameters different than the preset cycles. All material processed in these cycles must be validated by the user to ensure sterility of the processed load.



Equipment Alert

For optimal performance, allow the sterilizer to reach room temperature before operating.

Filling the Reservoir

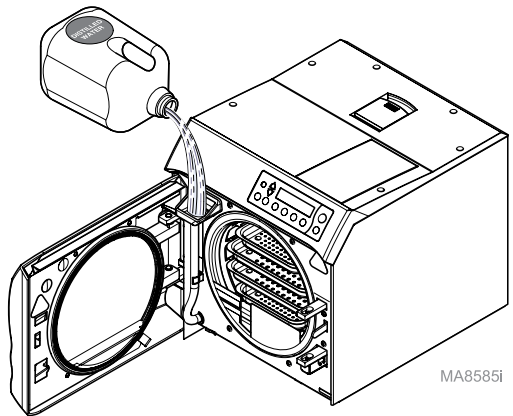
To fill reservoir...

- A) Open door to unit.
- B) Pour distilled water into fill opening until water level reaches the top of the fill level label on the water level indicator tube.



Equipment Alert

Use distilled water or water that meets the referenced water purity specifications. Failure to comply may result in sterilizer malfunction and/or premature failure due to excessive corrosion.



MA8585i

Qualification Testing

Your sterilizer should be tested after sterilizer installation, malfunctions, relocation, major repairs, and after sterilization process failure. Qualification testing should be performed prior to placing the sterilizer in service. If multiple cycle types are used, e.g. "Pouches" and "Packs" each cycle type should be qualified. Qualification testing should include at least one Biological Indicator (BI) (sometimes referred to as Spore Tests) and one Chemical Indicator (CI). The test pack should be performed with items routinely processed and considered to be the most difficult to sterilize. Additional items should be placed in the chamber along with the Biological Indicator and Chemical Indicator so that chamber is fully loaded (don't exceed the maximum capacities listed in the tables under "Guidelines for Loading" in this manual). Three consecutive test runs, for each cycle type tested, with negative results from the BIs, and the appropriate readings from all physical monitors and chemical indicators demonstrating complete sterilization, provide verification that the sterilizer has been properly installed (or reinstalled after relocation) or repaired to the manufacturer's specifications and that it will function effectively in the facility in which it is installed. All items processed during qualification testing should be quarantined until the results of the biological testing for all three test runs are available.

Guidelines for Loading

Types of Items

Before placing any instrument in the M9 or M11, check with the instrument manufacturer to be sure the materials are compatible with steam sterilization, and to verify the acceptability of sterilization parameters. The M9 and M11 are designed to sterilize the following:

- Metal instruments
- Rubber / plastic devices (ex. suction cannulas, impression trays, etc.)
- Wrapping / bundling materials (ex. CSR wrap, instrument pouches, etc.)
- Cassettes (which fit in the sterilizer trays or the cassette rack accessories)
- High / low speed handpieces
- Surgical instruments (ex. ophthalmologic instruments)



Equipment Alert

Do not sterilize items composed of any of the following materials in the M9 or M11.

- *Corrosion sensitive metal (ex. carbon steel, iron, etc.)*
- *Fragile items susceptible to breaking under pressure / high temperature*
- *Biomedical waste*
- *Plastics that may break down or produce residue when exposed to steam / high temperatures.*

Examples

Polyethylene, Styrene, Cellulosics, ABS, PVC, Acrylic (Plexiglass™), PPO (Noryl™), Latex, and Neoprene

Guidelines for Loading - continued

General Guidelines



Caution

Clean and dry instruments *thoroughly* before placing them into tray. Improper cleaning may result in non-sterile instruments or damage to the unit. Follow instrument manufacturer's guidelines and regulatory recommendations for handling and cleaning instruments prior to sterilization.

- Place all containers so that the opening allows steam to enter, and air / condensate to drain from the container.
- Use only M9 and M11 trays in their appropriate sterilizer. Using other trays could restrict air / steam flow to items.
- Sterilize jointed items in an open position.
- Handpieces and instruments must be single height loaded (not piled or stacked), to permit proper steam flow and penetration to the items.

Immediate Use Sterilization

The M9 and M11 are capable of *Immediate Use* sterilization - sterilizing unwrapped instruments for immediate use. Place a towel or absorbent paper on the bottom of the tray before putting unwrapped items in the tray. Please consider the following when choosing whether or not to sterilize your instruments unwrapped:

- The sterility of unwrapped instruments is compromised upon exposure to a non-sterile environment. Follow regulatory guidelines for using unwrapped, sterilized instruments.
- Due to the sensitive nature of some types of surgery (including, but not limited to ophthalmological), instruments used in such procedures must be wrapped or pouched in order to reduce their exposure to sterilization process residues. The water reservoir should also be drained and refilled with fresh distilled water on a daily basis when processing instruments for these procedures on a routine basis.

Pouching and Wrapping Items

The M9 and M11 are capable of sterilizing pouched or wrapped items to preserve sterility after processing.

- When pouching or wrapping items, use only sterilizer pouches and wraps that have been cleared by the FDA and labeled for use with the steam sterilization cycle being used. Follow the manufacturer's instructions for use.
- When using cassettes in the M9 / M11, follow the manufacturer's instructions for use.
- Do not wrap items too tightly. Sterilization can be compromised if an item is excessively wrapped.
- Pouches should be loosely packed and may overlap, but handpieces and instruments must be single height loaded (not piled or stacked), to permit proper steam flow and penetration to the items.
- The preferred orientation of pouches is resting on their edge, best accomplished using the Midmark pouch rack accessory. If using the standard tray, pouches should be placed with paper side down.

Guidelines for Loading - continued

Packing the Trays



Equipment Alert

Do not use towels or packaging containing chlorine bleach residue. Failure to comply may cause rusting or discoloration of the chamber / trays, and significantly shorten the life of the sterilizer.

Trays must be used at all times when operating this sterilizer - unless the optional cassette rack kit is used - otherwise, serious equipment damage could result.

All items must be processed in accordance with all applicable regulatory guidelines for infection control.

- All items to be sterilized should be arranged to permit free circulation of the steam.
- All items must fit in M9 / M11 tray.
- Loaded tray must slide into chamber opening without scraping.
- Instruments must not touch one another.
- Pouches may overlap slightly, but items must not be layered.

Guidelines for Loading - continued

Load Size

Refer to the charts below for maximum sterilization loads. If a load surpasses these limits, we recommend dividing the load and running multiple cycles. Listed below are the maximum recommended loads for each tray and total loads:








WARNING

Do not overload the chamber. Adequate space is required around items in trays for steam circulation and drying. Failure to allow adequate space will compromise sterilization and drying. Do not run the sterilizer without the tray plate in place.

M9 (maximum capacities)			
Load Type	M9 Large Tray	M9 Small Tray	M9 Sterilizer Total
Solid Items	42 instruments - 2.4 lbs. (1089 grams) or	28 instruments - 1.6 lbs. (726 grams) or	140 instruments - 8.0 lbs. (3629 grams) or
Handpieces	9 in a rack or	9 in a rack or	9 handpieces in a rack and 75 instruments or
Packs*	66 in ³ (≤ 1 in. thick) 1082 cm ³ (≤ 2.5 cm thick)	48 in ³ (≤ 1 in. thick) 787 cm ³ (≤ 2.5 cm thick)	228 in ³ (≤ 1 in. thick) 3736 cm ³ (≤ 2.5 cm thick)

M11 (maximum capacities)			
Load Type	M11 Large Tray	M11 Small Tray	M11 Sterilizer Total
Solid Items	45 instruments - 2.7 lbs., (1225 grams) or	30 instruments - 1.8 lbs., (816 grams) or	150 instruments - 9.0 lbs., (4082 grams) or
Handpieces	9 in a rack or	9 in a rack or	9 handpieces in a rack and 75 instruments or
Packs*	270 in ³ (≤ 2 in. thick) 4425 cm ³ (≤ 5 cm thick)	195 in ³ (≤ 2 in. thick) 3195 cm ³ (≤ 5 cm thick)	930 in ³ (≤ 2 in. thick) 15240 cm ³ (≤ 5 cm thick)
<i>*Allow a minimum of 1/4" (6.4 mm) space between each pack, and also from the chamber wall.</i>			

Cycle Type	Cycle Parameters			Drying Time ²	Items to be Sterilized (Always consult the item manufacturer's recommendations for sterilization.)
	Temp. (Min.)	Time	Press. ¹ (Ref.)		
 Unwrapped	270°F (132°C)	3 min.	27.1 psi (186 kPa)	30 min.	<ul style="list-style-type: none"> • Instruments loose on a tray. • Open glass or metal canisters. • Tubing not used in surgical procedures. (Max. length - 40" & Min. inside diameter - .187") • Loose items manufacturers recommend for exposure at 270°F (132°C) for 3 minutes. <p>Note: The sterility of unwrapped items is compromised on exposure to a non-sterile environment.</p>
 Pouches	270°F (132°C)	5 min.	27.1 psi (186 kPa)	30 min.	<ul style="list-style-type: none"> • Pouched or loosely wrapped instruments. • Multiple layers of instruments separated by fabric. • Wrapped trays of loose instruments. • Wrapped cassettes. • Tubing not used in surgical procedures. • Wrapped items manufacturers recommend for exposure at 270°F (132°C) for 5 minutes.
 Packs	250°F (121°C)	30 min.	15 psi (104 kPa)	30 min.	<ul style="list-style-type: none"> • Textiles and surgical packs wrapped for sterilization. • Items, except liquids, manufacturers recommend for exposure at 250°F (121°C) for 30 minutes.
 Handpieces	270°F (132°C)	6 min.	27.1 psi (186 kPa)	30 min.	<ul style="list-style-type: none"> • Dental handpieces (wrapped or unwrapped). <p>Note: Verify acceptability of sterilization parameters with handpiece manufacturer.</p>
 Programmable User Defined	230°F (110°C) to 275°F (135°C)	3 min. to 90 min.	6 psi (41 kPa) to 31 psi (214 kPa)	30 min.	<ul style="list-style-type: none"> • Items appropriate for user's defined parameters. <p>Caution All material processed in these cycles must be validated by the user to ensure sterility of the processed load.</p> <p>Programmable cycles 1 & 2 are provided for those applications requiring sterilization parameters different than the preset cycles. It is important to properly coordinate sterilization temperature with cycle time to achieve sterilization. Sterilization temperature can be adjusted from 230° to 275°F (110° to 135°C). Permitted temperature range for proper sterilization is 250° to 275°F (121° to 135°C). Temperatures set below 250°F (121°C) should not be used for sterilization, unless required by the device manufacturer. Temperatures below 250°F (121°C) are provided for disinfection only.</p>

1. The pressure shown in this table is for reference only. It's the ideal pressure of saturated steam at the sterilization temperature. The pressure shown on the sterilizer display may be higher or lower.
2. Dry time can be changed from 0 to 60 minutes. Refer to **Cycle Operation**.

Cycle Operation

Refer to the following steps for a detailed description of cycle operation:



Equipment Alert

The sterilizer will not operate unless the door is closed and latched properly.

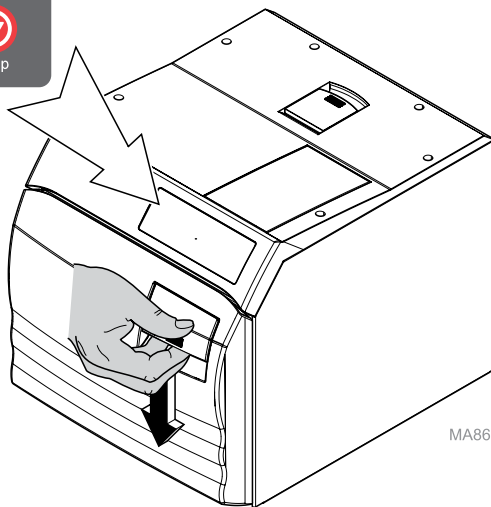
Step 1: Close and latch the door.

- A) Lift the door handle, then push the door closed.
- B) While pushing in on the door, slide the door handle down to engage the latch.



Cycle Buttons
(Programmable)

Cycle Buttons
(Pre-set)



Note

Pressing the **Start** button when 'SELECT CYCLE' is displayed, at beginning or end of a cycle, activates the heater for 10 minutes. The display flashes 'ADDITIONAL HEAT'. This allows the operator to preheat the chamber before starting a cycle or to add additional time to the Dry mode at the end of a cycle. Pressing the **Stop** button will end the 'ADDITIONAL HEAT' time.



Equipment Alert

Using an incorrect sterilization program could result in non-sterile goods and may damage instruments. Consult instrument manufacturer for specific sterilization instructions.

Step 2: Select the desired cycle.

- A) Press the appropriate cycle button on the display panel.
(Refer to "Cycle Parameters" chart for time / temperature specifications).

Cycle Operation - continued

After the cycle button is pressed, the parameters for that cycle will appear on the display.

Note

On units using the metric display, °F will display as °C and PSI will display as KPA.

Pressing **P** enables operator to change DRY time from 0 to 60 minutes in 1 minute increments on a pre-set cycle.

Pressing **▽** decreases time. Pressing **△** increases time.



WARNING

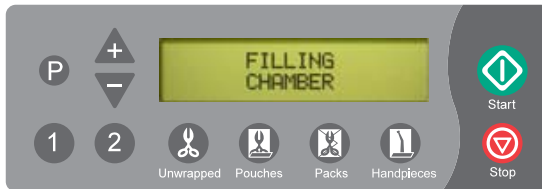
STOP button may be pressed at any time to stop or interrupt a cycle. Goods must not be considered sterile if this occurs before the Dry Cycle. Sterilizer will return to SELECT CYCLE mode.


Step 3: Press 'Start' button to initiate cycle.

You will hear a "beep" for two seconds, indicating the cycle has started.

Cycle Operation - continued


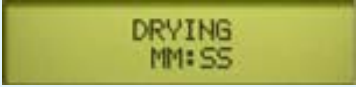
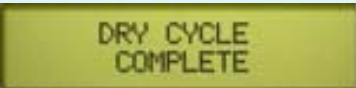
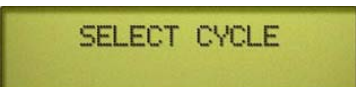
After the 'Start' button is pressed, the stage / status of the current cycle will appear on the display. The chart below illustrates the display messages that will appear during each stage of the cycle.



Stage of Cycle	Description	Display
Filling	Chamber begins filling with water.	FILLING CHAMBER
	When water reaches the proper level...	CHAMBER IS FULL
Heating	Display changes as temperature and pressure in chamber changes. <i>(Metric units may be displayed if desired).</i>	HEATING - UNWRAPPED XXX°F XX.X PSI
Sterilizing	Sterilizing begins when correct temperature / pressure is reached. Time remaining in cycle counts down while current temperature / pressure in chamber is continuously updated.	STERILIZING MM:SS XXX°F XX.X PSI
Ready to Vent	'READY TO VENT' is displayed when 10 seconds remain in sterilization cycle.	READY TO VENT XXX°F XX.X PSI
Fast Vent	When time runs out in sterilizing mode, the vent valve opens. Steam / water are released back into the reservoir. The display changes as temperature and pressure in chamber changes.	FAST VENT XXX°F XX.X PSI
	Caution <i>Keep clear when M9/M11 door is ready to open! Failure to do so could result in severe burns from steam being released.</i>	
Door To Open (automatic)	An audible signal is emitted to indicate that the door is about to open. When pressure in chamber reaches zero, the door actuates to partially open (drying mode) position.	DOOR TO OPEN XXX°F XX.X PSI

This chart continues on the following page...

Cycle Operation - continued

Stage of Cycle	Description	Display
	<p>Caution <i>The processed loads may still be wet if the Dry Cycle is aborted prior to completion. Always allow processed loads to dry in the sterilizer before they are handled to avoid re-contamination.</i></p>	
Drying	Time of Dry Cycle is counted down. If desired, the Dry Cycle can be aborted by pressing the STOP button.	
	When Drying time reaches 0:00...	
Cycle Complete	An audible signal is emitted for 10 seconds.	



Caution

The processed load and inner surfaces will be hot. Avoid contact with hot surfaces. Failure to do so could result in serious burns.

Step 4: Remove processed load from the chamber.

- A) Refer to “Unloading Hot Trays / Cassettes” later in this manual.
- B) Sterilizer is now ready for another cycle.

Post-Sterilization Processing

After sterilization is complete, all items must be handled in accordance with all regulatory guidelines for infection control.

Qualified personnel responsible for infection control should prepare a protocol for handling sterilized items. This protocol should be followed by all personnel responsible for handling sterilized items.

Unloading Hot Trays / Cassettes

(Using the optional Tray / Cassette Tool)



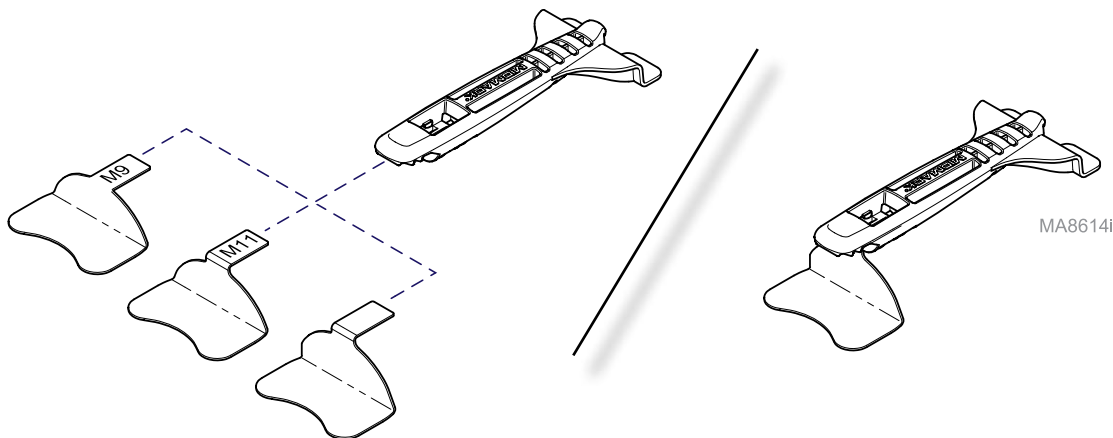
Caution

Only use the 9A307001 Tray / Cassette tool with Midmark manufactured trays.
Trays / cassettes may be HOT - use care when removing or transporting.
Hold the tray level and slightly elevated to prevent it from shifting and becoming dislodged.
Failure to comply may result in personal injury due to burns.

Step 1: Assemble the tray / cassette tool.

A) Slide the proper plate into the handle as shown.

Note: There are three plates included. Each plate is designed for a specific purpose. (M9 trays, M11 trays, cassettes).



Unloading Hot Trays / Cassettes - continued (Using the optional Tray / Cassette Tool)

To remove M9 / M11 trays...

- A) Hook the top, saw-toothed tab of tool to top center tray lip.
- B) Rotate tool downward until the tool plate is completely under tray.
- C) Check to ensure tray is being held securely and then remove tray from chamber.



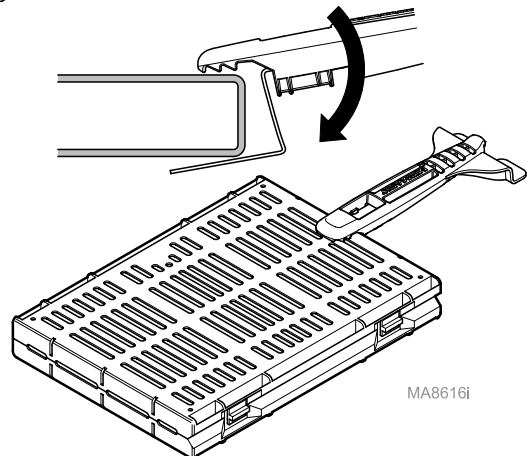
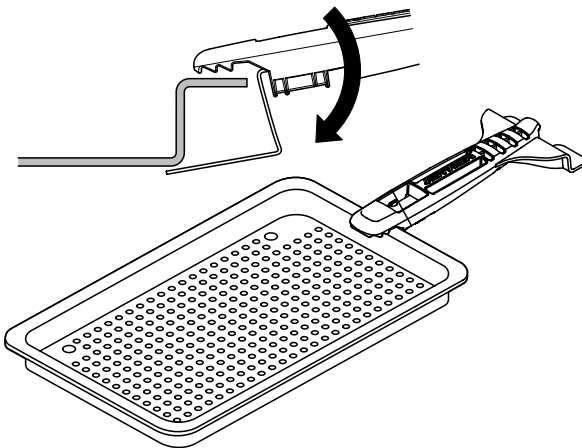
Caution

When removing the cassette, hold the cassette tool so the end of the cassette is slightly elevated and use care to prevent it from sliding off the cassette tool.

To remove cassettes...

- A) Hook the top, saw-toothed tab of tool to top center of cassette.
- B) Rotate tool downward until the tool plate is completely under cassette.
- C) Check to ensure cassette is being held securely and then remove cassette from chamber.

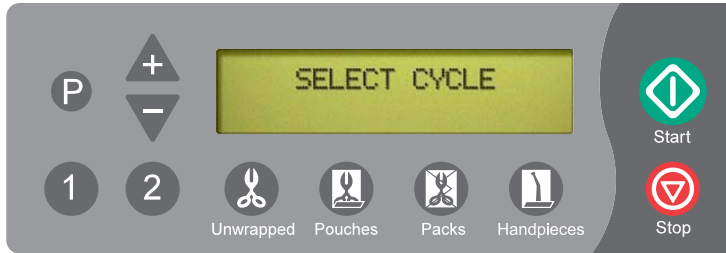
Note: Cassette tool can handle cassettes up to 1 1/2" (3.8 cm) thick.



MA8616i

Programmable Cycle Buttons

Cycle buttons **1** **2** can be used for custom applications that are not covered by standard cycle programs. Once a custom program has been stored, it can be used just by pushing the **1** or **2** button. Use the instructions in the chart below to set time / temperature parameters for these buttons. (If you wish to change the settings, these buttons may be reprogrammed at any time).



NOTE:

Pressing the STOP button during this procedure will abort the changes, and revert to the original settings.


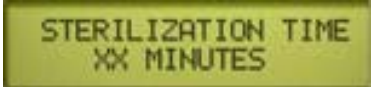


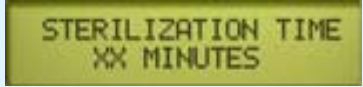
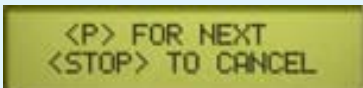




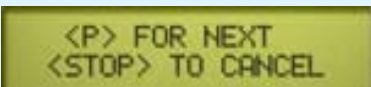

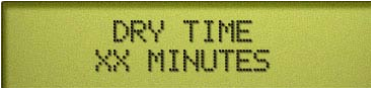
Action	Description	Display
<p>Press desired button</p> <p>1 2</p>	This selects the button that will be programmed.	<p>PROGRAM 1 XXX°F, XX MINUTES</p> <p>FAST VENT XXX MINUTE DRY</p>
<p>Press</p> <p>P</p>	This brings up the sterilization temperature programming display.	<p>STERILIZATION TEMP: XXX.X°F</p>
	<p>Caution</p> <p><i>Sterilization temperature can be adjusted from a minimum of 230°F (110°C) to a maximum of 275°F (135°C). Permitted temperature range for <u>proper</u> sterilization is 250° to 275°F (121° to 135°C).</i></p> <p><i>Temperatures set below 250°F (121°C) should <u>not</u> be used for sterilization, unless otherwise required by the device manufacturer. Temperatures below 250°F (121°C) are provided for disinfection only.</i></p>	
<p>Adjust Sterilization Temperature</p> <p>+ -</p>	<p>The "+" and "-" buttons adjust the temperature by 1° increments.</p>	<p>STERILIZATION TEMP: XXX.X°F</p>
	<p>When the desired temperature appears on the display...</p>	<p><P> FOR NEXT <STOP> TO CANCEL</p>

This chart continues on the following page...

Programmable Cycle Buttons - continued

NOTE:

Pressing the STOP button during this procedure will abort the changes, and revert to the original settings.






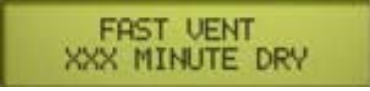

Action	Description	Display
<p>Press</p> 	To store the temperature. This brings up the sterilization time programming display showing the current value.	
	<p>Caution</p> <p><i>Sterilization time can be adjusted from a minimum of 3 minutes to a maximum of 90 minutes. It is important to properly coordinate the cycle time with the sterilization temperature.</i></p>	
<p>Adjust Sterilization Time</p> 	<p>The “+” and “-” buttons adjust the time by 1 minute increments.</p>	
	When the desired time appears on the display...	
<p>Press</p> 	To store the sterilization time. This brings up the vent speed programming display and the current value.	
<p>Adjust Vent Speed</p> 	<p>In FAST vent, the valve fully opens and vents the chamber.</p> <p>In SLOW vent, the valve opens for a fraction of a second (once per minute) to slowly vent the chamber.</p> <p>Pressing “+” sets it to: FAST Pressing “-” sets it to: SLOW</p>	
	When the desired setting appears on the display...	
<p>Press</p> 	To store the setting and bring up the dry time programming display and the current value.	

This chart continues on the following page...

Programmable Cycle Buttons - continued

NOTE:

Pressing the STOP button during this procedure will abort the changes, and revert to the original settings.

Action	Description	Display
Adjust Dry Time 	Dry time can be adjusted from 0 to 60 minutes.	
	The “+” and “-” buttons adjust the time by 1 minute increments. When the desired time appears on the display...	
Press 	To store the setting and complete the programming process. The display will show the new cycle parameters.	
		
	Note <i>The programmed settings are retained under Program # button <1> or <2>. Even if power is interrupted, or the unit is unplugged the setting will be retained.</i>	
	Caution <i>All materials processed using these cycles must be validated by the user. Failure to do so could result in incomplete sterilization.</i>	

Maintenance

Maintenance Messages

To assure proper operation and maximum sterilizer life, carefully follow all recommendations for periodic maintenance. Recommended maintenance is easy to do and takes very little time.

One of the MOST important steps you can take to prevent problems with your sterilizer, is to ensure that ONLY distilled water or water that meets the referenced water purity specifications - NOT TAP WATER - is used in the sterilizer. Since the sterilizer operates with high water temperatures, any minerals dissolved in the water will form mineral deposits. This can prevent valves from opening or closing properly and can also lead to corrosion in the chamber and tubing.

Maintenance reminders will be displayed on the screen at the appropriate intervals to assist the operator. These reminders are removed from the display screen once a cycle is started.

The user is responsible for establishing a periodic maintenance procedure to assure correct operation of equipment and reliable sterilization of loads. Contact your local Midmark distributor or service representative to develop a program for planned maintenance.

Daily Maintenance



Equipment Alert

If the sterilizer is used frequently to process dental handpieces that have been lubricated or dipped in dental milks, drain the water from the reservoir daily. Refill the reservoir with distilled water or water that meets the referenced water purity specifications.

• Clean External Surfaces

- A) Wash the exterior of the sterilizer each day according to your facility's procedure for clinical contact surfaces, noting the following: (Use only quaternary disinfectants to disinfect unit. Staining, pitting, discoloration, or softening could occur if phenolic, iodophor, or glutaraldehyde-based disinfectant is used on plastic surfaces of the unit. Also, use of alcohol or aerosol spray cleaner / disinfectant containing substantial amounts of alcohol in the formula can damage the faceplate).
- B) Wring excess solution from the cloth.
- C) Using soft cloth, wipe all external surfaces.
- D) Follow the instructions provided with the cleaner / disinfectant used regarding rinsing and drying of the external surfaces.

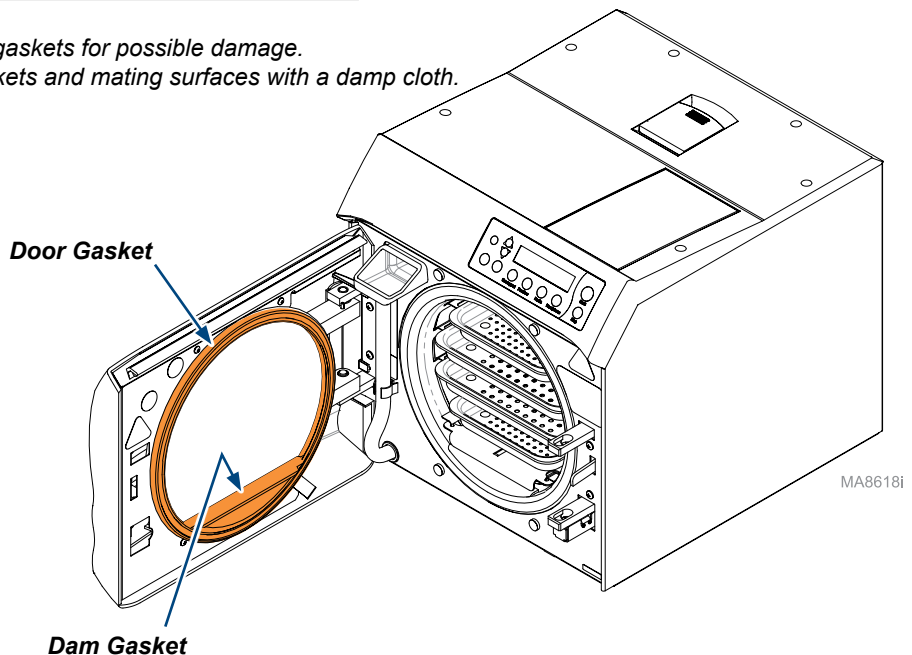
• Clean sterilizer door / dam gaskets.



Caution

To prevent burns, allow unit to cool before cleaning gaskets and mating surfaces.

- A) Examine gaskets for possible damage.
- B) Clean gaskets and mating surfaces with a damp cloth.



Weekly Maintenance



Equipment Alert

Failure to change water may result in sterilizer malfunction. Do not use bleaching agents or any abrasive materials / substances in chamber (i.e. bleach, steel wool, wire brush, scouring powder, etc.). Failure to comply may result in damage to the chamber and/or other components.

Note

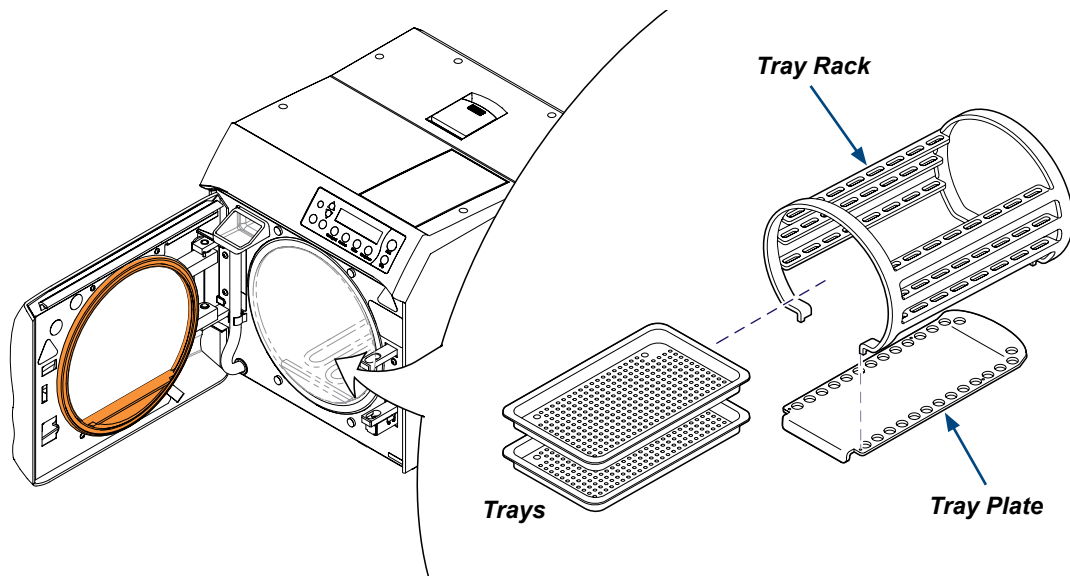
Every seven days, the autoclave will automatically display the PERFORM WEEKLY MAINTENANCE message. If power is disconnected, the cycle of weekly messages will be reset.

• Clean Chamber / Trays (including Rack and Plate)

Note

Step A is not necessary if the sterilizer is connected to a direct-to-drain thermal reduction system.

- A) Disconnect the upper portion of the reservoir drain tube from the panel clips, bend it downward, and drain the reservoir water into a suitable container, e.g. a bucket, and dispose of the water.
- B) Remove the trays, tray rack, and tray plate from the sterilizer.
(Refer to the following page for instructions on removing / installing the tray rack and tray plate).
- C) Wash trays, rack, plate, and inside of chamber with mild soap or Speed-Clean and distilled water.
- D) Refill reservoir with distilled water or water that meets the referenced water purity specifications.



MA8619i

Weekly Maintenance - continued

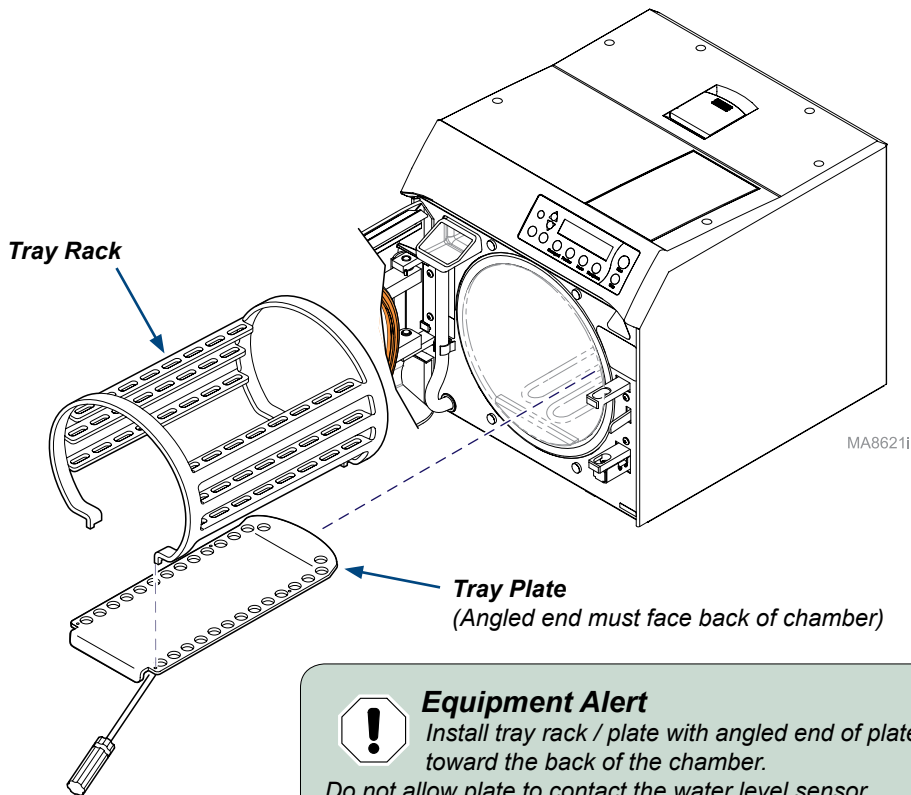


WARNING

Allow unit to cool before removing or installing tray rack and plate.
Handle metal tray rack carefully to avoid injury. Do not run sterilizer without tray plate in place.

To remove tray rack / plate...

- A) Remove trays.
- B) Using a screwdriver, pry plate up while pulling tray rack / plate out of chamber.



Equipment Alert

Install tray rack / plate with angled end of plate toward the back of the chamber.

Do not allow plate to contact the water level sensor.

To install tray rack / plate...

- A) Insert the tray rack into the tray plate.
- B) Place back of tray plate in chamber.
- C) Press down on tray rack, while sliding into chamber.

Monthly Maintenance



WARNING

Do not process instruments while flushing system.



Equipment Alert

Use only Speed-Clean to flush system. Failure to flush system with Speed-Clean may result in the premature failure of sterilizer components.





Note

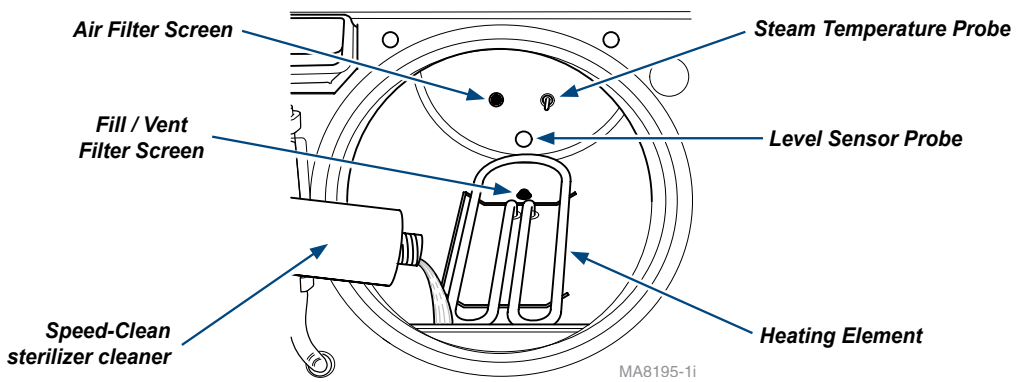
Every 28 days, the sterilizer will automatically display the **PERFORM MONTHLY MAINTENANCE** message. If power is disconnected, the cycle of monthly messages will be reset.

• Clean Chamber / Plumbing

Note

Steps A through G only need to be performed quarterly if the sterilizer is connected to a direct-to-drain thermal reduction system.

- A) With a cooled chamber, drain the sterilizer's reservoir and refill with clean distilled water or water that meets the referenced water purity specifications. Add one ounce of Speed-Clean sterilizer cleaner directly to the bottom of chamber.
- B) Run one **Pouches** cycle. 
- C) Press **Stop** button when Dry Cycle begins.  (Dry Cycle is not needed during maintenance.)
- D) Drain reservoir and refill a second time with clean distilled water or water that meets the referenced water purity specifications. .
- E) Rinse by running one **Unwrapped** cycle . Push the "Stop" button  when the drying cycle begins.
- F) Drain and refill reservoir with clean distilled water or water that meets the referenced water purity specifications, then allow sterilizer to cool.
- G) Remove trays and tray rack. Wipe off with a damp cloth.



Monthly Maintenance - continued

• Clean Chamber / Plumbing - continued



Equipment Alert

Use care when wiping the inside of the chamber. Failure to comply may result in damage to the heating element, steam temperature probe, and/or level sensor probe.



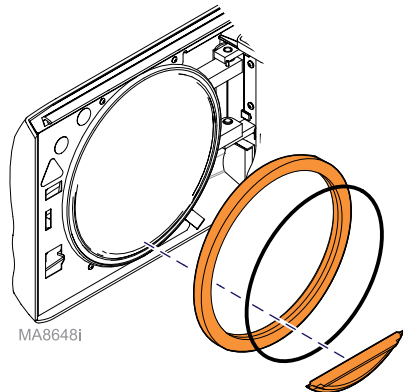
Equipment Alert

Do not operate sterilizer without filters in place.

- H) Remove and clean filters. The filters are intended to prevent debris from causing valve failures. Between regular monthly cleanings if the fill or vent times become too long or items will not dry the filters should be cleaned. (Refer to the illustration for location of filter screens.)
- I) Grasp filter and gently pull away from chamber wall while twisting slightly. (If necessary, pliers may be used to remove filters)
- J) Clean filters with Speed-Clean and distilled water. A small stiff bristled brush or ultrasonic cleaner may be helpful. Rinse filters with distilled water. Replace filter(s) if debris cannot be removed by cleaning.
- K) Wipe out the inside of chamber.
- L) Install filters. (Press inward, toward chamber wall while twisting slightly).
- M) Install tray plate, rack, and trays.

• Remove / Clean Door & Dam Gaskets

- A) Remove door and dam gaskets from chamber door, then remove the gasket ring from the door gasket.
- B) Clean gaskets and ring with Speed-Clean, distilled water, and a soft brush.
- C) Inspect gaskets for damage / shrinking / swelling. Replace gaskets if damage is apparent.
- D) Press gasket ring into the channel in the door gasket and reinstall the gasket in the door.
- E) Install dam gasket.



MA8648i

Monthly Maintenance - continued

• Check Pressure Relief Valve (must be checked each month to assure it functions properly)

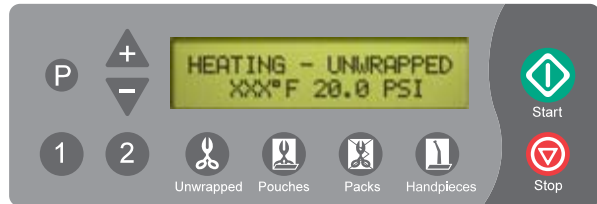
- A) Press **Unwrapped** button 
- B) Press **Start** button 



Caution

During the pressure relief valve check, steam will be vented from under the sterilizer. To keep from being burned, place a steam barrier (a rolled up towel) around the bottom of the sterilizer.

- C) Wait until pressure in chamber reaches 20 PSI (138 kPa).



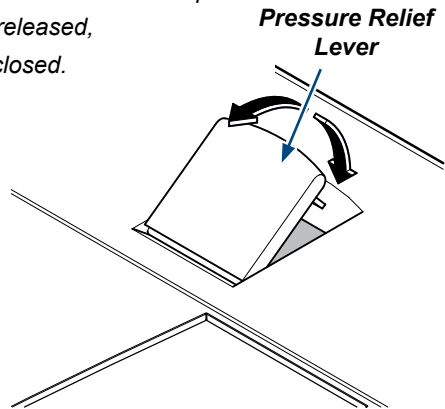
- D) Pull upward firmly on the pressure relief lever for approximately 3 seconds, then release. (Steam should discharge freely from beneath rear of unit when lever is pulled. If the valve does not close completely when lever is released, pull lever again and release quickly so that it snaps closed. Repeat this until valve seats properly).

- E) Press **Stop** button  (This aborts the cycle to prevent overheating).



Equipment Alert

If excessive force is required to open the pressure relief valve, or if the valve will not reseat properly, the valve must be replaced. (Refer to "Calling for Service" in this manual).



MA6013011

Extended Use Maintenance

The M9 and M11 are designed and tested to provide exceptional reliability throughout their service life. However, like all electro-mechanical devices they are subject to wear and degradation with use.

To ensure the integrity, performance, and safety of all major components it is the responsibility of the user to have the sterilizer performance / operation verified by a Midmark Authorized Service Provider at least every 10 years or 10,000 cycles, whichever ever comes first. After 10 years or 10,000 cycles of use, an annual inspection by a Midmark Authorized Service Provider is recommended.

Printer (Optional)

Operating the Printer

When the sterilizer is plugged in, the printer is automatically powered up and initialized. No user intervention or setup is required.

Printer Tape Description

The printer will print the following information for each program cycle:

- Cycle Number
- Identification: a line is printed so the sterilizer I.D. can be recorded on the printer tape
- Operator: a line is printed so the operator's signature can be recorded on the printer tape.
- Date: lines are printed for the month, day, year, hour, and minute so the date and time can be recorded by the operator on the printer tape.
- "BEGIN *selected* CYCLE": to indicate the beginning of the cycle selected by the operator.
- Summary of selected cycle set points.

Once the cycle starts, the printer will print the words "FILLING CHAMBER" to show that the sterilizer is filling with water.

Once the sterilizer begins the Heating Phase of the sterilization cycle, the word "HEATING" is printed and the printer will print the chamber temperature, pressure, and elapsed time in 30 sec. increments until the heating phase is completed.

When the sterilizer enters the sterilization phase, the word "STERILIZING" is printed and the printer will print the chamber temperature, pressure, and elapsed time in 30 sec. increments until the sterilization phase is completed.

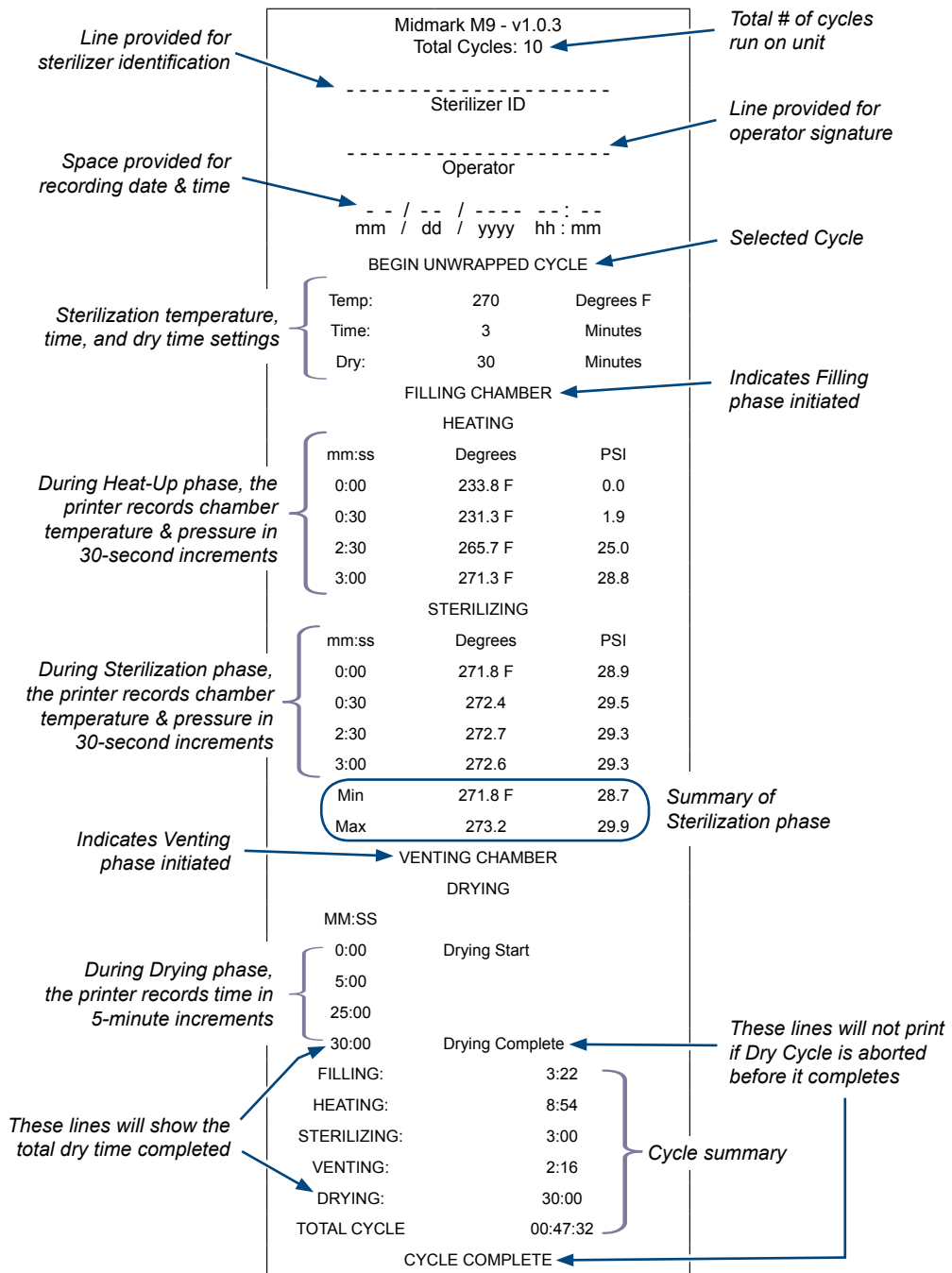
When the sterilizer has completed the sterilization phase of the program cycle, the printer will print the words "VENTING CHAMBER" to show that the steam pressure is being exhausted from the chamber.

When the sterilizer enters the drying phase, the word "DRYING" is printed and the printer will print the elapsed time in 5 minute increments starting with 0:00 and the words "DRYING START". The printer continues to print the elapsed time in 5 minute increments until the drying phase is completed. The final record for the drying phase will include the words "DRYING COMPLETE". In the event the drying time is programmed to a time that isn't divisible by 5, the final printed record for the drying phase will reflect the actual programmed drying time in 1 minute increments, e.g. a programmed dry time of 12 minutes will have 5,10, and 12 minutes printed on the printer tape.

When the sterilizer has completed the drying phase of the sterilization cycle, the printer will print a summary of the sterilization cycle with the duration of each phase of the cycle and the Total Cycle Time. Following the summary the printer will print "CYCLE COMPLETE".

[NOTE: If drying cycle is aborted, "DRYING COMPLETE" and "CYCLE COMPLETE" will not print].

Example of Typical Printout of a Program Cycle



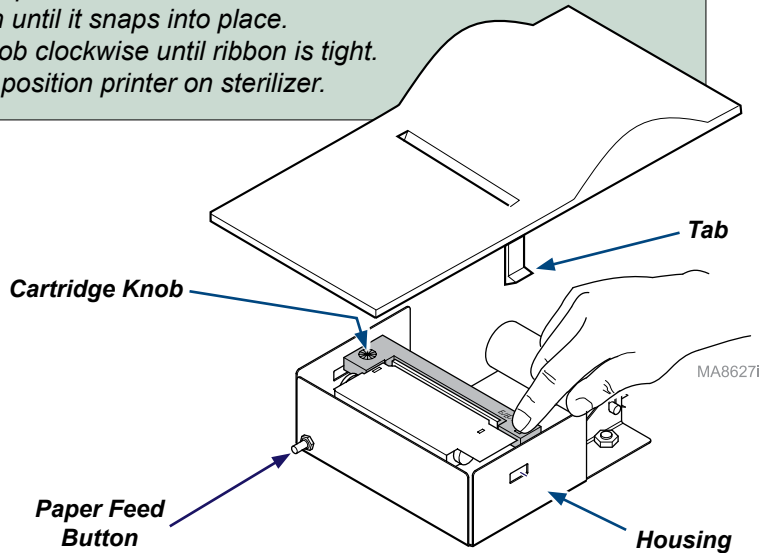
Printer Ribbon Cartridge Replacement

Note

If the printed material is difficult to read and you suspect a dried out ribbon is the cause of the problem, advance to a properly inked portion of the ribbon by pressing the "PAPER FEED" button for three seconds. If this procedure does not correct the problem, replace the cartridge ribbon.

To replace the ribbon cartridge...

- A) Remove printer assembly from top cover.
- B) Remove the printer cover. (Bend the housing out slightly to release tabs).
- C) Push down on the side of the cartridge marked "Eject", then remove cartridge.
- D) Install the new cartridge. Be sure the ribbon is inserted in front of the paper, and flat against the paper.
- E) Press cartridge down until it snaps into place.
- F) Turn the cartridge knob clockwise until ribbon is tight.
- G) Install printer cover / position printer on sterilizer.



Paper Roll Removal



Equipment Alert

Be sure to pull the paper out of the top of printer. Pulling from the back will damage the printer.

Before removing the paper roll, advance the paper about 1" (2.5 cm) by pressing down and holding the "PAPER FEED" button. Lift the paper roll away from the printer housing, and with scissors, cut the paper roll feeding to the printer. Try to make the cut as straight as possible to facilitate the next reloading of the paper. Now, pull the remaining paper through the printer mechanism.

Paper Roll Installation



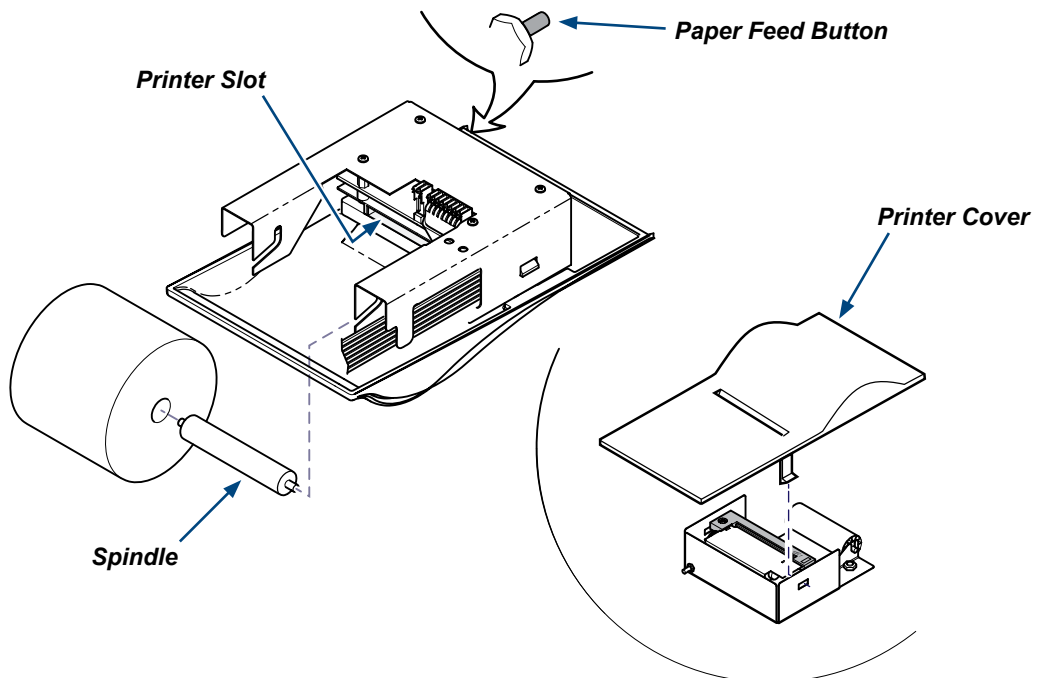
Equipment Alert

Using paper rolls larger than 1.97" (50 mm) in diameter, may cause the paper feed mechanism to slip and / or damage the printer.

To install the paper roll...

- A) Turn printer onto its back.
- B) Insert spindle into new paper roll.
- C) Unroll 2" to 3" (5 to 7.5 cm) of paper.
- D) If necessary, cut a straight edge on the paper to feed into the printer slot.
- E) Feed approx. 1/4" (6.4 mm) of paper into the printer slot.
- F) While holding paper in place, press/hold "PAPER FEED" button until 1" (2.5 cm) paper comes thru slot in printer cover, then release button*.
- G) Pull 2" to 3" (5 to 7.5 cm) of paper thru printer cover.
- H) Insert paper roll / spindle into slots of spindle holder as shown.
- I) Turn the paper roll to remove slack in the paper feeding to the printer.
- J) Install the printer assembly back into the printer cavity.

*Note: If necessary, remove the printer cover and manually feed the paper thru the slot in the cover.



MA46500-1i

Troubleshooting

Troubleshooting Chart

Use the following chart to assist in correcting minor problems with the sterilizer.

Problem	Possible Cause	Solution
Sterilizer does not operate (no display).	Sterilizer power cord came loose from supply outlet or back of sterilizer.	Assure Sterilizer power cord is plugged into outlet and sterilizer.
	No power at Sterilizer supply outlet.	Check circuit breaker for supply outlet. If problem recurs, unplug unit power cord and contact an authorized service technician. (see "Calling for Service")
	Fuse open on main P.C. Board.	Unplug unit power cord and contact an authorized service technician (see "Calling for Service").
Steam escaping from pressure relief valve.	Pressure relief valve not properly seated.	Reseat pressure relief valve. (see "Monthly Maintenance")
Sterilization failure evidence from process monitor (chemical indicator, biological indicator, etc.).	Sterilization conditions were not present at location of the indicator.	Reload sterilizer in accordance with guidelines for loading the M9 or M11. If problem recurs, unplug unit power cord and contact an authorized service technician. (see "Calling for Service")
	Indicator is out-of-date, is inappropriate for sterilization cycle. or has otherwise malfunctioned.	Use an indicator, appropriate for the load and cycle selected, that has been stored properly. Contact the indicator manufacturer for additional information on proper selection, use, storage, and potential misapplication or malfunction.
Door gasket leaks.	Door gasket is damaged or dirty.	Clean or replace door gasket. (see "Weekly Maintenance")
Items are not dry at end of Dry Cycle.	Sterilizer is improperly loaded.	Reload sterilizer in accordance with guidelines for loading the M9 or M11. If problem recurs, unplug unit power cord and contact an authorized service technician. (see calling for service).
	Filter screen(s) clogged. (Check fill / Vent and Air Valve filter screens)	Clean or replace filter screen(s). (see "Monthly Maintenance")
Printer not printing.	Printer cable is not connected properly.	Ensure that printer cable is connected to printer.
	Software malfunction.	Unplug sterilizer power cord, wait 15 seconds, and then plug sterilizer power cord back in.
	Printer is out of paper.	Insert a new paper roll. (see paper roll removal and installation sections)
	Cartridge ribbon is dried out.	(see "Ribbon Cartridge Replacement")

Informational Messages

The chart below lists the informational messages that may appear during operation.

Message	Possible Cause	Solution
INITIALIZING SYSTEM	Unit power cord was just plugged in - standard informational message.	Normal operation will occur after a 4 second pause.
TOTAL CYCLES XXX M9*, VX.X.X (*will display model number, M9, M11)	Unit power cord was just plugged in - standard informational message.	Normal operation will occur after this message.
PERFORM WEEKLY MAINTENANCE	This message is displayed every 7, 14, and 21 days after the unit is plugged into a power source to prompt the operator to perform weekly maintenance described in this manuals.	Perform weekly maintenance. The message will automatically clear after the next cycle is completed.
PERFORM MONTHLY MAINTENANCE	This message is displayed every 28 days to prompt operator to perform monthly maintenance described in this manual.	Perform monthly maintenance. The message will automatically clear after the next cycle is completed.

Error Messages

The chart below and on the following pages, lists the error messages that may appear during operation.



Caution

If an error occurs more than once, stop using the sterilizer. Record the message or error code, unplug unit, then call an authorized service representative. (see "Calling for Service")
If an error message includes: "Items Not Sterile", the items in sterilizer shall not be considered sterile; they must be run through a successful sterilization cycle.

Message	Possible Cause	Solution
C010: POWER UP MODE SYSTEM PWR LOSS	Unit had loss of power during cycle.	Press STOP button to restart.
ITEMS NOT STERILE PUSH STOP TO RESTART		

This chart continues on the following page...

Error Messages - continued

Message	Possible Cause	Solution
C060: POWER UP MODE SYSTEM HARDWARE	Power was interrupted briefly or an internal glitch.	Unplug unit power cord for 1 minute and then plug back in. If problem persists, contact an authorized service representative. (see "Calling For Service")
C102: FILL MODE STOP PRESSED	STOP button was pressed during cycle.	Press STOP button to restart.
C103: THROUGH C105 HEATUP, STERILIZE OR VENT MODE STOP PRESSED	STOP button was pressed during cycle.	Wait briefly (up to one minute) while chamber pressure / temperature dissipates. Press STOP button to return to select cycle mode where a new cycle may be initiated.
C106: DOOR MODE STOP PRESSED	STOP button was pressed during cycle.	Press STOP button to restart.
C232: FILL MODE WATER LOW	Water level in reservoir is too low.	Refill water reservoir with distilled water, or water that meets the referenced water purity specifications. Wait briefly (up to one minute). Press STOP button to return to select cycle mode where a new cycle may be initiated.
	Fill / Vent filter (in bottom of chamber) is clogged.	Clean Fill / Vent filter. (see "Monthly Maintenance")
C326: DOOR MODE DOOR CLOSED	Door latch safety switch is still making contact after door motor operated.	Open door.
C382: FILL DOOR OPEN	Sterilizer detects that door safety switch contacts opened.	Close the sterilizer door. (Cycle will continue where left off.)
C383: HEATUP MODE DOOR OPEN	Sterilizer detects that door safety switch contacts opened.	Wait briefly (1 minute) while chamber pressure / temperature dissipates. Press STOP button to return to select cycle mode. Initiate a new cycle.
C384: STERILIZE MODE DOOR OPEN	Sterilizer detects that door safety switch contacts opened.	Unplug unit power cord for 1 minute and then plug back in. If problem persists, contact an authorized service representative. (see "Calling For Service")
C533 through C633: STEAM TEMP LOW or STEAM TEMP HARDWARE or PRESSURE LOW	Sterilizer detects that temperature and / or pressure is outside the limits for normal operation.	Unplug unit power cord for 1 minute and then plug back in. If problem persists, contact an authorized service representative. (see "Calling For Service")

This chart continues on the following page...

Error Messages - continued

Message	Possible Cause	Solution
C642 THROUGH C647 PRESSURE HIGH	Chamber pressure is outside the limits for normal operation.	Wait briefly (up to one minute) while chamber pressure / temperature dissipates. Press STOP button to return to select cycle mode. Initiate a new cycle.
C660 THROUGH C677 PRESSURE HARDWARE or PRESSURE OVERLIMIT	Chamber pressure is outside the limits for normal operation.	Unplug unit power cord for 1 minute and then plug back in . If problem persists, contact an authorized service representative. (see "Calling For Service")
C980 THROUGH C987 HI-LIMIT OPEN	High limit switch has opened for at least 1/4 second during specific operational mode.	Unplug unit power cord for 30 minute and then plug back in. If problem persists, contact an authorized service representative. (see "Calling For Service")

Calling for Service

Note

Please mark down any displayed code(s) and be sure to relay this information to the service technician.

Contact your **Midmark Authorized Dealer**, or log on to www.midmark.com/technical-library.
Model and serial number information will be required when calling for service.

To contact Midmark directly:

1-800-Midmark (1-800-643-6275) or 937-526-3662

8:00 am to 5:00 pm EST (Monday thru Friday)

[excluding standard U.S. holidays]

Specifications

Specifications Chart: M9

Physical Dimensions:	
Overall Length w/Plug	20.38 in. (51.8 cm)
Overall Width	15.3 in. (38.9 cm)
Overall Height w/Printer	15.8 in. (40.1 cm)
Counter Area	15.3 in. x 18 in. (38.9 cm x 45.7 cm)
Chamber	9 in. dia. x 15 deep (22.9 cm x 38 cm)
Standard Tray, Large	7 5/16 in. x 12 in. x 7/8 in. (18.6 cm x 30.5 cm x 2.2 cm)
Standard Tray, Small	5 5/8 in. x 12 in. x 7/8 in. (14.3 cm x 30.5 cm x 2.2 cm)
Weights:	
Weight with Empty Reservoir	73 lbs. (33.1 kg)
Weight with Shopping Carton	81 lbs (36.7 kg)
Water Reservoir Capacity	1.1 Gallons (4.1 liters) to Full Mark usable volume is 0.5 gallons (1.9 liters)
Electrical Rating:	
<i>Note: A separate (dedicated) circuit is required for this sterilizer. Sterilizer should not be connected into an electrical circuit with other appliances or equipment unless circuit is rated for the additional load.</i>	
115 V models	115 VAC (+/- 10%), 12 Amp, 50/60 Hz
230 V models	230 VAC (+/- 10%), 6.4 Amp, 50/60 Hz
Fuse Ratings:	
115 VAC	F1.....0.25 Amp, 250 V, Slo-blo, 1/4" x 1 1/4"
	F2.....15 Amp, 250 V, Fast Acting, 1/4" x 1 1/4"
230 VAC	F1.....0.125 Amp, 250 V, Slo-blo, 5 x 20 mm
	F2.....8 Amp, 250 V, Fast Acting, 5 x 20 mm
Chamber Pressure at 270 °F (132 °C)	27.1 psi. (186.2 kPa)
Safety Valve Setting	40 psi (275.8 kPa)
Heat Emission	5000 BTU / hr during operation
Certifications	ASME Boiler & Pressure Vessel Code, Section VIII, Division 1. Canadian Registration Number available
	UL61010-1, 2nd Edition IEC 61010-2-040, 1st Edition CAN/CSA C22.2, No. 61010-1, 2nd Edition CSA C22.2, No. 61010-2-040-07 Part 2-040, - 1st Edition

Specifications Chart: M11

Physical Dimensions:	
Overall Length w/Plug	23.8 in. (60.5 cm)
Overall Width	17.8 in. (45.2 cm)
Overall Height w/Printer	17.8 in. (45.2 cm)
Counter Area	17.8. x 21 in. (45.2 cm x 53.3 cm)
Chamber	11 in. dia. x 18 in. deep (28 cm x 46 cm)
Standard Tray, Large	9 in. x 15 in. x 1 1/8 in. (22.9 cm x 38 cm x 2.9 cm)
Standard Tray, Small	6 5/8 in. x 15 in. x 1 1/8 in. (16.8 cm x 38 cm x 2.9 cm)
Weights	
Weight with Empty Reservoir	99 lbs. (44.9 kg)
Weight with Shipping Carton	131 lbs (59.4 kg)
Water Reservoir Capacity	1.4 Gallons (5.3 liters) to Full Mark usable volume is 1.0 gallons (3.8 liters)
Electrical Rating:	
<i>Note: A separate (dedicated) circuit is required for this sterilizer. Sterilizer should not be connected into an electrical circuit with other appliances or equipment unless circuit is rated for the additional load.</i>	
115 V models	115 VAC (+/- 10%), 12 Amp, 50/60 Hz
230 V models	230 VAC (+/- 10%), 6.4 Amp, 50/60 Hz
Fuse Ratings:	
115 VAC	F1.....0.25 Amp, 250 V, Slo-blo, 1/4" x 1 1/4"
	F2.....15 Amp, 250 V, Fast Acting, 1/4" x 1 1/4"
230 VAC	F1.....0.125 Amp, 250 V, Slo-blo, 5 x 20 mm
	F2.....8 Amp, 250 V, Fast Acting, 5 x 20 mm
Chamber Pressure at 270 °F (132 °C)	27.1 psi. (186.2 kPa)
Safety Valve Setting	40 psi (275.8 kPa)
Heat Emission	5000 BTU / hr during operation
Certifications	ASME Boiler & Pressure Vessel Code, Section VIII, Division 1. Canadian Registration Number available
	UL61010-1, 2nd Edition IEC 61010-2-040, 1st Edition CAN/CSA C22.2, No. 61010-1, 2nd Edition CSA C22.2, No. 61010-2-040-07 Part 2-040, - 1st Edition

Water Purity Specifications

Water Purity Specification Chart	
	AAMI ST-46 (ref.)
Evaporate Residue	≤ 15 mg/l
Silica	≤ 2 mg/l
Iron	≤ 0.2 mg/l
Cadmium	≤ 0.005 mg/l
Lead	≤ 0.05 mg/l
Rest of heavy metals, excluding Iron, Cadmium, & Lead ¹	≤ 0.1 mg/l
Chloride	≤ 3 mg/l
Phosphate	≤ 0.5 mg/l
Conductivity (at 20°C) ²	≤ 50 μs/cm
pH	6.5 to 8
Appearance	Colorless, clean, w/o sediment
Hardness	≤ 0.1 mmol/l (.585 gr/gal)

Warranty Information

SCOPE OF WARRANTY Midmark Corporation ("Midmark") warrants to the original retail purchaser that it will repair or replace components of the animal health products manufactured by Midmark (except for products and components not warranted under "Exclusions") that are defective in material or workmanship under normal use and service. The sole remedy under this limited warranty is the repair or replacement, at Midmark's option, of the applicable products or components. This limited warranty shall only apply to defects that: (i) are reported to Midmark within the applicable warranty period; and (ii) are determined to exist upon examination by Midmark. This limited warranty extends only to the original retail purchaser of a product, and is not transferable or assignable.

APPLICABLE WARRANTY PERIOD The applicable warranty period, measured from the date of invoice to the original retail purchaser of the product and shall be one (1) year for all warranted products and components.

OBTAINING WARRANTY SERVICE Warranty service must be obtained through either Midmark or an authorized dealer in the Midmark product line for which warranty service is requested. Midmark may be contacted for warranty service inquiries or issues via email at www.midmark.com, by mail to Midmark Corporation, 60 Vista Drive, Versailles, Ohio 45380, or by phone at: 1-800-MIDMARK.

It is the retail purchaser's obligation to arrange for delivery of a product to Midmark or one of its authorized dealers for warranty service, which delivery shall be at retail purchaser's expense. It is also the retail purchaser's obligation to comply with the warranty service instructions provided either by Midmark or its authorized dealer. The retail purchaser must provide Midmark with completed warranty registration information within thirty (30) days after purchase in order to obtain the benefits of this limited warranty.

EXCLUSIONS This limited warranty does not cover and Midmark shall not be liable for the following:

- (1) defects, damage or other conditions caused, in whole or in part, by misuse, abuse, negligence, alteration, accident (including animal acts of any kind), freight damage, tampering or failure to seek and obtain repair or replacement in a timely manner;
- (2) matching of color, grain or texture except to commercially acceptable standards;
- (3) changes in color caused by natural or artificial light;
- (4) products which are not installed, used and properly cleaned and maintained as required in the installation and operation manuals for the applicable product (imaging product must be installed by a certified Midmark installer);
- (5) products considered to be of a consumable nature;
- (6) accessories or parts not manufactured by Midmark;
- (7) specially manufactured products;
- (8) charges by anyone (including Midmark's authorized dealers) for adjustments, repairs, replacement parts, installation or other work performed upon or in connection with such products which are not expressly authorized in writing in advance by Midmark;
- (9) costs and expenses of routine maintenance and cleaning;
- (10) all sinks, faucets and plumbing accessories;
- (11) representations and warranties made by any person or entity other than Midmark; and
- (12) with respect to software that is a product or a component thereof, that the software will be error free, can be used without problems or interruptions, or will be free from vulnerability to intrusion or attack by viruses or other methods.

EXCLUSIVE REMEDY; CONSEQUENTIAL DAMAGES DISCLAIMER Midmark's only obligation under this limited warranty is the repair or replacement of defective parts. Midmark shall not be liable for and hereby disclaims any direct, special, indirect, incidental, exemplary or consequential damages or delays including, but not limited to, damages for loss of profits or income, loss of use, downtime, cover, and employee or independent contractor wages, payments and benefits. This disclaimer shall survive any failure or asserted failure of the essential purpose of this limited warranty or its remedies specified herein.

NO AUTHORIZATION No person or firm is authorized to create or approve for Midmark any other obligation or liability in connection with Midmark products.

WARRANTY DISCLAIMER: THIS LIMITED WARRANTY IS MIDMARK'S ONLY WARRANTY AND IS IN LIEU OF ALL OTHER WARRANTIES, EXPRESS OR IMPLIED. MIDMARK MAKES NO IMPLIED WARRANTIES OF ANY KIND INCLUDING ANY IMPLIED WARRANTIES OF MERCHANTABILITY OR FITNESS FOR A PARTICULAR PURPOSE.

STATUTE OF LIMITATIONS No action may be brought against Midmark for breach of this limited warranty, an implied warranty, if any, or for any other claim arising out of or relating to the products, more than ninety (90) days following expiration of the warranty period. In the event multiple warranty periods exist with respect to a product, the ninety (90) day period provided for herein shall begin to run from expiration of the warranty period for the component to which the claim relates.

SEVERABILITY In the event any provision of this limited warranty is determined to be invalid or otherwise unenforceable: (i) the provision shall be enforced in a manner that closest holds to its intent, while at the same time curing the invalidity or unenforceability, and (ii) the balance of this limited warranty, being severable, shall not be affected in the event the provision that is invalid or unenforceable cannot be enforced in any respect.

Notes:

Midmark Corporation

60 Vista Drive

Versailles, OH 45380 USA

1-800-643-6275

1-937-526-3662



Because we care.



M9 / M11

Esterilizador de vapor autónomo

[English](#)

[Español](#)

[Français](#)

Para los modelos:

M9 (-033 / -034)

M11 (-033 / -034)



Guía del usuario

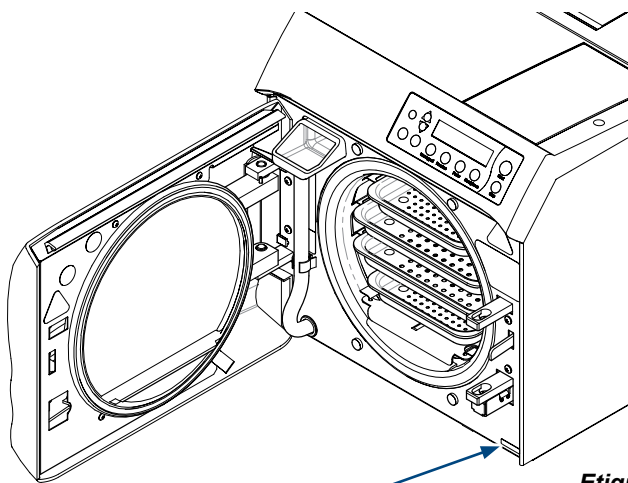
Información sobre el producto

Distribuidor:

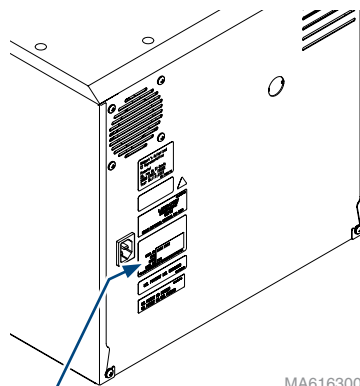
Fecha de compra:

Modelo / Número de serie:

Servicio técnico autorizado:



Número de serie



**Etiqueta de modelo /
número de serie**

MA616300i

Tabla de contenido

Información importante

Instrucciones de seguridad.....	4
Uso previsto.....	4
Interferencia electromagnética.....	4
Símbolos de seguridad.....	4
Símbolos del transporte.....	5
Condiciones de transporte y almacenamiento.....	5

Accesorios

Incluido con el esterilizador.....	6
Ubicación de los componentes.....	7
Controles e indicadores.....	8
Directrices para supervisar la esterilización.....	10

Instalación

Entorno de funcionamiento.....	11
Requisitos del emplazamiento.....	11
Requisitos eléctricos.....	12
Conexión del cable de alimentación.....	13

Funcionamiento

Antes de utilizar el esterilizador.....	14
Llenado del depósito.....	14
Pruebas de calificación.....	15
Instrucciones de carga.....	15
Parámetros del ciclo.....	19
Ejecución del ciclo.....	20
Procesamiento posterior a la esterilización.....	23
Descarga de bandejas y cajas calientes.....	24
Botones de ciclo programables.....	26

Mantenimiento

Mensajes de mantenimiento.....	28
Mantenimiento diario.....	29
Mantenimiento semanal.....	30
Mantenimiento mensual.....	32
Mantenimiento a largo plazo.....	34

Impresora (opcional)

Uso de la impresora.....	35
Mensaje de conexión.....	35
Descripción de la cinta de impresión.....	35
Ejemplo de impresión de un ciclo de programa.....	36
Sustitución del cartucho de cinta de la impresora.....	37
Rollo de papel:	
Retirada del rollo de papel.....	37
Instalación del rollo de papel.....	38

Resolución de problemas..... 39

Tabla de resolución de problemas.....	39
Mensajes informativos.....	40
Mensajes de error.....	40
Solicitud de servicio técnico.....	42
Especificaciones.....	43
M9.....	43
M11.....	44
Especificaciones de pureza del agua.....	45

Información sobre la garantía

Alcance de la garantía.....	46
-----------------------------	----

Información importante

Instrucciones de seguridad

El aspecto más importante para Midmark es que este equipo se maneje y mantenga pensando en la seguridad del paciente y del personal. Para garantizar el funcionamiento seguro y fiable:

- Lea y comprenda este manual antes de instalar o poner en funcionamiento el esterilizador.
- Asegúrese de que se informa al personal interesado sobre el contenido de este manual. (Esto es responsabilidad del comprador).
- Asegúrese de que este manual se encuentra cerca del esterilizador o, si es posible, fijado de manera permanente a éste.

Uso previsto

Los Ultraclaves M9 y M11 pueden utilizarse en gabinetes veterinarios, hospitales, clínicas y otras instalaciones para esterilizar instrumental reutilizable que sea estable al calor y la humedad (incluyendo piezas de mano odontológicas), y compatible con la esterilización por vapor. Si desea información adicional, consulte las secciones “Carga de bandejas” y “Parámetros de ciclo estándar”, que encontrará más adelante en el presente manual.

Interferencia electromagnética

Este esterilizador se ha diseñado y construido para reducir al mínimo la interferencia electromagnética con otros dispositivos. Sin embargo, si detecta interferencias entre este producto y otros dispositivos:

- Retire el dispositivo que cause interferencias de la sala.
- Enchufe el esterilizador a un circuito aislado.
- Aumente la separación entre el esterilizador y el dispositivo que cause interferencias.
- Póngase en contacto con Midmark si las interferencias persisten.

Símbolos de seguridad



PELIGRO

Indica una situación de peligro inminente que ocasionará lesiones graves o la muerte. Este símbolo se utiliza únicamente en las condiciones más extremas.



ADVERTENCIA

Indica una situación potencialmente peligrosa que podría ocasionar lesiones graves.



Precaución

Indica una situación potencialmente peligrosa que puede ocasionar lesiones leves o moderadas. También puede usarse para alertar contra prácticas peligrosas.



Advertencia sobre el equipo

Indica una situación potencialmente peligrosa que podría provocar daños en el equipo.

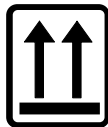
Símbolos del transporte



Precaución por daños de transporte



Mantener seco



Orientación correcta para el transporte



Altura máx. apilamiento
(consultar número "n" en embalaje)



Frágil

Condiciones de transporte y almacenamiento



Advertencia sobre el equipo

Debe drenarse el agua de los depósitos de la unidad antes de transportarla o almacenarla a 0° C (+32° F).

Rango de temperatura ambiente:	De -30 °C a +60 °C (de -22 °F a 140 °F)
Humedad relativa:	De 10 % a 90 % (sin condensación)
Presión atmosférica:	de 49,6 kPa a 106,4 kPa (de 7,2 psia a 15,4 psia)

Accesorios

A no ser que se indique lo contrario, el accesorio es apto para el uso en el M9 y el M11.

Nombre del accesorio	Número de pedido
Speed-Clean, 1 frasco (0,47 l [16 oz])	002-0396-00
Speed-Clean, 1 caja (0,47 l [12-16 oz])	002-0396-05
Impresora	9A259001
Kit de repuesto de impresora (incluye 1 cartucho para impresora y 1 rollo de papel)	002-0371-00
Separador para caja (horizontal)	9A215001 (solo M11)
Bastidor de cartuchos (Vertical)	9A215002 (solo M11)
Separador de bolsas	9A226001
Herramienta para bandejas/cajas	9A307001

Incluido con el esterilizador

Speed-Clean



Instrucciones de cuidado y funcionamiento

MIDMARK Caring for your M9 / M11 sterilizer...

Weekly Maintenance

Drain Tube
Door Gasket
Clean Gasket
Tray Rack

Tray Filter
(removed if this panel stays for most of treatment)

• Clean External Surfaces & Gaskets

Caution:
To prevent burns, allow unit to cool before cleaning joints and external surfaces.

- Wipe external surfaces & gaskets with a soft damp cloth and mild soap / detergent.
- Gaskets also require for storage.

• Clean Internal Surfaces

Equipment Alert
Failure to change water may result in sterilizer malfunction.

- Drain water from the reservoir using drain.
- Clean the foot of each tray, one inside of chamber with mild soap or Speed-Clean and distilled water.
- Refrigerator with clean, distilled water.

Monthly Maintenance

Air Filter Screen
P/U Vent Filter Screen
Chamber Drain
(add back after removal)

WARNING
Do not process instruments while flushing system.

Equipment Alert
Failure to flush system with Speed-Clean or use of other reactor chemicals, may result in the temperature failure of medical instruments.

• Flush System

- With a closed chamber, drain reservoir and fill with clean, distilled water. Add one ounce of Speed-Clean.
- Reactor chamber slowly to the bottom of chamber.
- Press **Stop** button when **Dr. Cycle** begins.
- Drain reservoir and add clean, distilled water.
- Repeat steps 1-4 until chamber is removed by cleaning.
- Drain and add reservoir with clean, distilled water. Then allow sterilizer to cool.

• Clean Filter Screens (P/U Vent, and Air)

Equipment Alert
Do not operate reactor without filter in place.

- Allow sterilizer to cool. Then remove trays / rack / gaskets.
- Order to the chamber for residue (if necessary).
- Put **Final Filter** to replace (Use gasket if necessary).
- Clean filter with Speed-Clean and distilled water.
- Reattach filter / gasket (make sure the removed by cleaning).
- Place trays with distilled water (if necessary).
- Install filter, gasket or other missing missing gasket.
- Install tray, gasket, rack and trays.

• Check Pressure Relief Valve*

*** Remove: Check Inspect Gaskets***

*** Refer to the Installation / Operation Manual for complete list of maintenance procedures**

Hoja de datos de seguridad de Speed-Clean

Midmark Corporation
075403540 Rev. P
Data Created: June 2007
Revised February 2015
Page 1 of 6

SAFETY DATA SHEET

Section 1: Identification

1.1. Product Identifier
Speed-Clean

1.2. Recommended Use and Restrictions on Use
Sterilizer Cleaner

1.3. Supply Details
Developed For: Midmark Corporation
Address: 60 Vista Drive, P.O. Box 296, Versailles, OH 45386-0296, USA
Telephone: 1-800-MIDMARK

1.4. Emergency Telephone Number:
(937) 526-6498

Section 2: Hazard Identification

2.1. Hazard Classification
Skin Irritation Category 2
Eye Irritation Category 2A

2.2. Label Elements
Signal Word
Warning

Symbols
Exclamation Mark

GHS07

Hazard Statements
P303+361: In case of contact with skin, wash thoroughly with plenty of water.
P305+351+338: In case of contact with eyes, rinse abundantly with plenty of water for at least 15 minutes, preferably lifting the upper and lower eyelids.

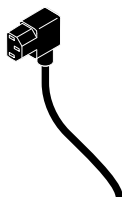
Precautionary Statements
P201: Read the label and label instructions carefully.
P202: Do not breathe dust / fumes / gas / mist / spray / vapor.
P273: Avoid release into the environment.

Response
R37/38: Irritating to eyes, respiratory system and skin.
R410: Do not breathe dust / fumes / gas / mist / spray / vapor.

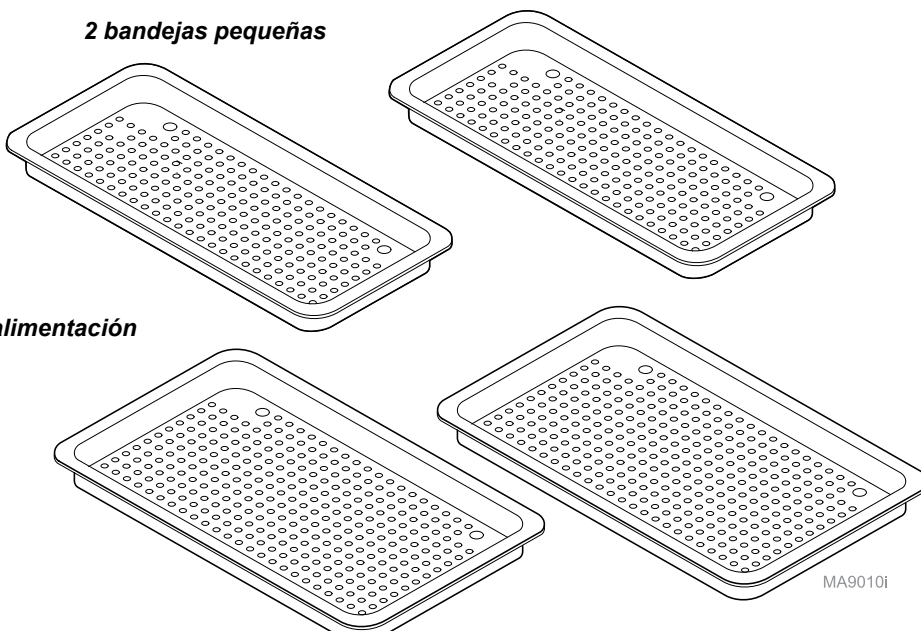
2.3. Hazard Not Otherwise Classified
None

2 bandejas grandes

2 bandejas pequeñas

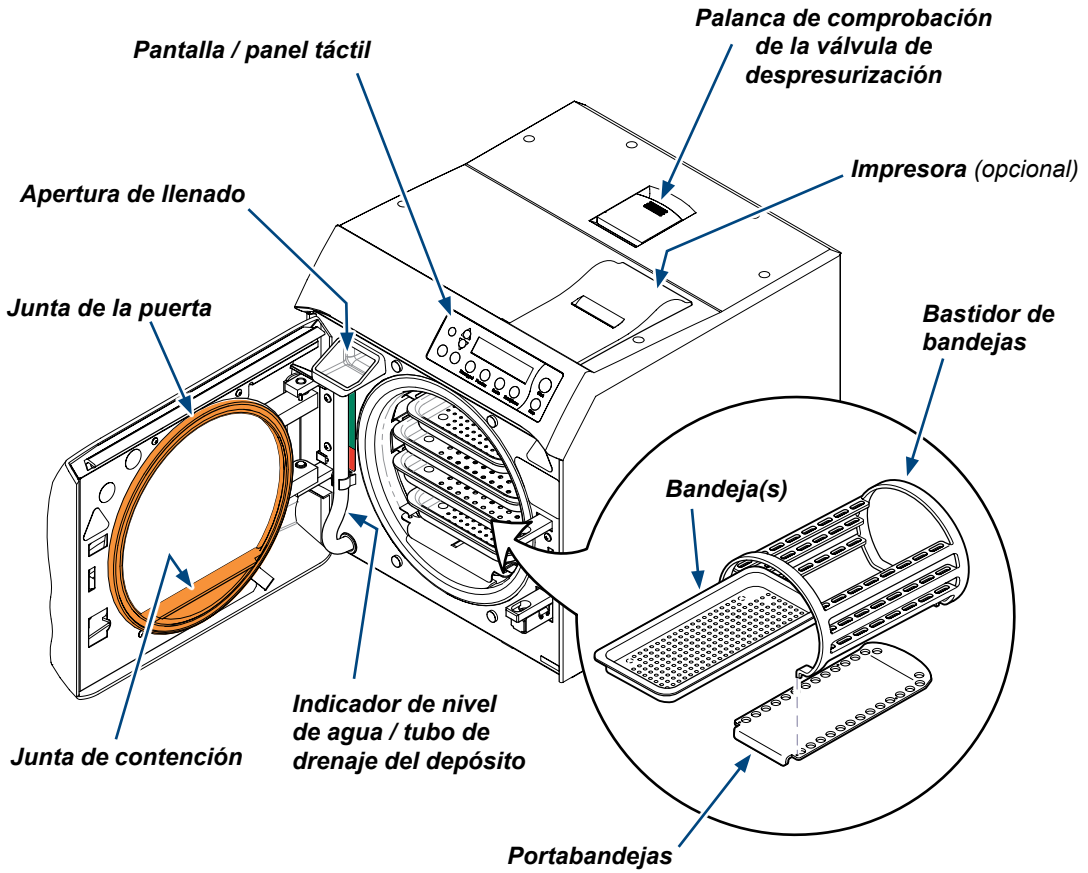


Cable de alimentación



MA90101

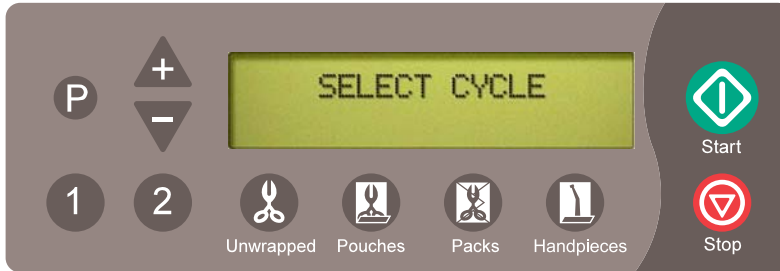
Ubicación de los componentes



SA1775i

Controles e indicadores

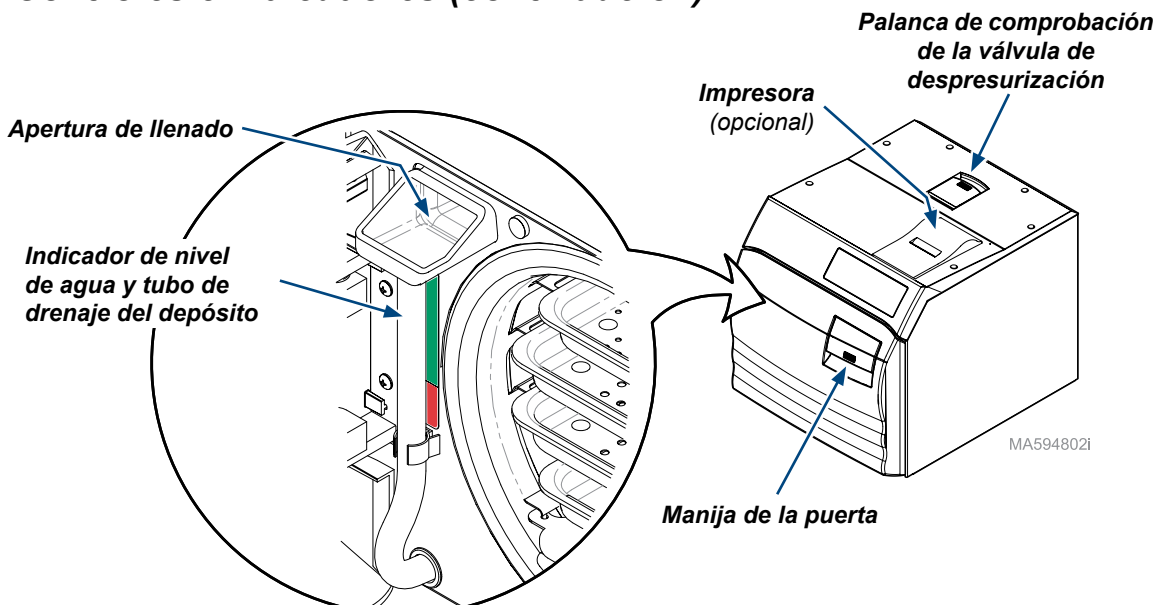
Los controles y los indicadores del esterilizador se muestran en la presente página y en la siguiente. En las tablas se describe la función de cada control e indicador.



MA594801i

Control	Función	
Pantalla	vea la ilustración	Indica el ciclo seleccionado, la temperatura y el tiempo de exposición del ciclo seleccionado. Durante el ciclo, la pantalla muestra mensajes que describen el estado del ciclo. Cuando el ciclo entra en el modo de esterilización, se muestra el tiempo de ciclo restante, así como la temperatura y la presión. La pantalla también muestra un mensaje de error en caso de que no funcione correctamente. Consulte la sección <i>Resolución de problemas</i> de este manual para ver una explicación detallada sobre los <i>Mensajes informativos/de error</i> .
Botón Unwrapped (Sin envolver)		Un ciclo de programas diseñado para procesar instrumentos sin envolver a: 132° C (270° F) durante 3:00 minutos / ciclo de secado de 30 minutos.
Botón Pouches (Bolsas)		Un ciclo de programas diseñado para procesar los instrumentos en bolsas de esterilización papel/plástico o instrumentos envueltos a: 132° C (270° F) durante 5 minutos / ciclo de secado de 30 minutos.
Botón Packs (Paquetes)		Un ciclo de programas diseñado para procesar paquetes de instrumentos o textiles a: 121 °C(250 °C) durante 30 minutos / ciclo de secado de 30 minutos.
Botón Handpieces (Piezas de mano)		Un ciclo de programas para piezas de mano odontológicas que se ejecuta a: 132 °C (270 °F) durante 6 minutos / ciclo de secado de 30 minutos.
Botón Start (Inicio)		Inicia el programa seleccionado. Cuando se muestra SELECT CYCLE (SELECCIONAR CICLO), si se pulsa Start (Inicio), se activa el calentador durante 10 minutos.
Botón Stop (Detener)		Termina el programa o la función seleccionados.
1 ó 2 botones NOTA: el usuario debe asegurarse de que los materiales son aptos para cada ciclo de esterilización.		Botones de ciclos programables que permiten al operador crear dos ciclos programables diferentes para aplicaciones especiales. El tiempo y la temperatura de esterilización pueden ajustarse o modificarse junto con el tiempo de secado y el procedimiento de ventilación.

Controles e indicadores (continuación)



Control		Función
Botón P		Botón de modo de programación que permite regular la temperatura, el horario, el tiempo de secado o el procedimiento de ventilación. Se usa junto con los botones 1 o 2. (Consulte Modo de programación).
Botón + (más)		Permite incrementar la temperatura o el tiempo, o cambia la ventilación a modo Fast (Rápido) cuando se activa en 1 ó 2 y el modo P (programación) está activado.
Botón - (menos)		Permite reducir la temperatura, el tiempo o el tiempo de secado, o cambia la ventilación a modo Slow (Lento) cuando se activa en 1 ó 2 y el modo P (programación) está activado.
Manija de la puerta	ver ilustración	Cerrar y abrir la puerta.
Indicador de nivel de agua y tubo de drenaje del depósito	ver ilustración	Muestra el nivel de agua del depósito. El tubo también se utiliza para drenar el depósito en un recipiente apropiado.
Apertura de llenado	ver ilustración	Acceso para llenar el depósito de agua.
Palanca de comprobación de la válvula de despresurización	ver ilustración	Permite comprobar la válvula de despresurización.
Impresora (Opcional)	ver ilustración	La impresora (equipo opcional) proporciona un registro permanente del tiempo, la temperatura y la presión durante un ciclo.

Directrices para supervisar la esterilización

Nota

La siguiente información se proporciona solo a modo de referencia. Póngase en contacto con los organismos estatales o locales adecuadas si necesita unas directrices de esterilización específicas para su oficina. Hay información adicional sobre el control de las infecciones en los Centros para el Control y la Prevención de Enfermedades (CDC), la Organización de Seguridad y Procedimientos de Asepsia (OSAP) y la Asociación para el Avance del Instrumental Médico (AAMI).

Monitores físicos Los dispositivos de medición de temperatura y presión pueden ayudar a detectar problemas del esterilizador. El sistema de control del esterilizador aborta el ciclo y muestra un mensaje si las condiciones físicas se salen de los límites establecidos. La impresora opcional puede utilizarse para crear un registro del tiempo, la temperatura y la presión del ciclo real de cada carga.

Nota

Utilice solo indicadores químicos y biológicos aprobados por la FDA y diseñados para la esterilización con vapor que sean compatibles con la temperatura particular del ciclo de esterilización y el tiempo de exposición que se monitoriza. Use los monitores de esterilización con cada carga de esterilización. Si un ciclo de esterilización termina de manera prematura, vuelva a procesar los instrumentos para asegurar la esterilidad de la carga. Siga las instrucciones del fabricante para desechar de forma adecuada los indicadores usados.

Indicadores químicos Los indicadores químicos están diseñados para verificar que las condiciones de la cámara de esterilización eran adecuadas para lograr la esterilización. No validan que un artículo procesado es estéril. Si un indicador químico indica un fallo, los artículos de esa carga se consideran no estériles. Los fallos de esterilización pueden deberse a las siguientes causas: limpieza, embalaje o carga incorrectos, o fallo en el esterilizador. Determine la causa del fallo de la esterilización y solúcelo antes de ejecutar el siguiente ciclo. Solo deben utilizarse indicadores químicos aprobados por la FDA y etiquetados para el uso con parámetros no tradicionales de ciclo de esterilización con vapor (por ejemplo, temperatura y tiempo de exposición) de los esterilizadores M9 / M11 para monitorizar los ciclos. Siga las instrucciones del indicador químico para almacenarlo, utilizarlo, interpretarlo y desecharlo de forma adecuada.

Indicadores biológicos Los indicadores biológicos son dispositivos microbiológicos, diseñados para acompañar a los artículos que se esterilizan y controlar que el proceso de esterilización es adecuado. Si un indicador biológico indica un fallo, los artículos de esa carga se consideran no estériles. Los fallos de esterilización pueden deberse a las siguientes causas: limpieza, embalaje o carga incorrectos, o fallo en el esterilizador. Determine la causa del fallo de la esterilización y solúcelo antes de ejecutar el siguiente ciclo. Solo deben utilizarse indicadores biológico aprobados por la FDA y etiquetados para el uso con parámetros de ciclo de esterilización con vapor no tradicionales (por ejemplo, temperatura y tiempo de exposición) de los esterilizadores M9/M11 para monitorizar los ciclos. Siga las instrucciones de los indicadores biológicos para almacenarlos, utilizarlos, interpretarlos y desecharlos de forma adecuada.

Instalación

Entorno de funcionamiento

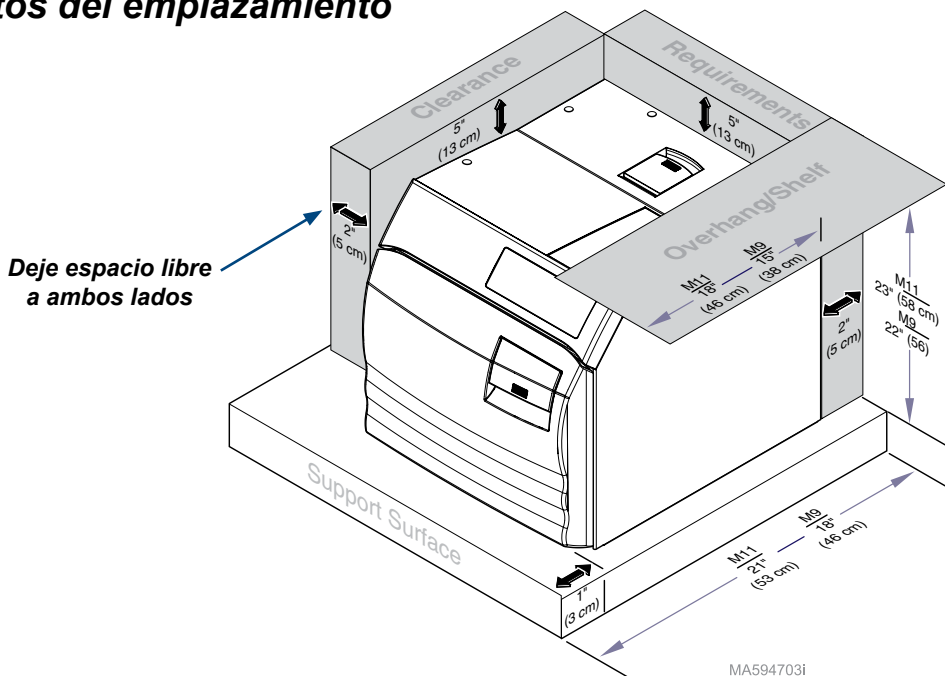


Advertencia sobre el equipo

Deje que la unidad alcance la temperatura ambiente antes de ponerla en funcionamiento. Si no lo hace de forma adecuada, puede dañar el esterilizador.

Rango de temperatura ambiente:	De +20°C a +40°C (de 68°F a 104°F)
Humedad relativa:	< de 80 % (sin condensación) (grado de polución 2, según IEC664)
Altitud normal de funcionamiento:	< 3000 m (9842 ft) sobre el nivel del mar
Dispositivo apto SOLO PARA USO EN INTERIORES.	
El entorno en que se utilice el dispositivo debe estar relativamente limpio de polvo. (Grado de polución 2, conforme a la IEC664)	
El dispositivo debe conectarse a una fuente alimentación con límites de sobretensión inferiores a 1500 W de la red eléctrica a tierra. (Categoría de instalación II conforme a IEC664)	
El M9 y el M11 emiten 1,47 kW (5000 BTU/HR) durante su funcionamiento.	

Requisitos del emplazamiento



Instalación

Requisitos del emplazamiento (continuación)

Superficie de apoyo

- El material debe ser resistente al agua. (por ejemplo, laminado, acero inoxidable, piedra, etc.)
- La superficie debe estar nivelada para garantizar que la cámara se llena con el nivel de agua correcto. Un nivel de agua inadecuado en la cámara podría causar un error de funcionamiento en el esterilizador.
- La superficie debe tener las dimensiones mínimas que se indican a continuación:

Dimensiones

Profundidad (de delante a atrás) **M11** - 53 cm (21") **M9** - 46 cm (18")

Requisitos de espacio


Para garantizar una ventilación adecuada y permitir el acceso al orificio de llenado del depósito y al acoplamiento de drenaje, deben satisfacerse los requisitos de espacio mínimos indicados a continuación. Si el esterilizador va a utilizarse en ciclos continuos, colóquelo allí donde el vapor no cause daños en materiales ni equipos cercanos.

Parte trasera de la unidad - pared trasera 5 cm (2")
Superficie frontal del soporte - parte frontal del esterilizador 3 cm (1")
Laterales de la unidad - pared lateral 5 cm (2")
Distancia por encima de la unidad para acceder a la impresora 13 cm (5")
Máximo saliente de armario/estante por parte superior **M11** 46 cm (18") **M9** - 38 cm (15")
Armario o estante inferiores **M11** 58 cm (23") **M9** - 56 cm (22")

Requisitos para la reubicación del esterilizador

Desconecte el cable de alimentación de la toma eléctrica y deje que el esterilizador se refrigere. Drene el agua del depósito o no incline el esterilizador para permitir que el agua se expulse.

Requisitos eléctricos

 ADVERTENCIA <i>Para modelos de 115 V AC: use solo corriente alterna 104 - 127 V AC, 50/60 Hz.</i> <i>Para modelos de 230 V AC: use solo corriente alterna 207 - 127 V AC, 50/60 Hz.</i> De lo contrario, el personal puede recibir sacudidas eléctricas y el esterilizador puede sufrir daños.	
Nota <i>Por razones de seguridad, la unidad debe estar conectada a una toma con la polaridad correcta y con conexión a tierra. Use siempre un cable de alimentación con conexiones a tierra que coincida con las tomas de sus instalaciones.</i>	
Unidad de 115 V AC:	115 V AC, 50/60 Hz, 12 A Circuito de alimentación exclusivo*: 120 V AC, 50/60 Hz, 15 A Consumo de energía máx.: 1425 W
Unidad de 230 V AC:	230 V AC, 50/60 Hz, 6,5 A Circuito de alimentación exclusivo*: 230 V AC, 50/60 Hz, 10 A Consumo de energía máx.: 1500 W
* La fuente de alimentación debe tener límites de sobretensión inferiores a 1500 w de la red eléctrica a tierra. <i>(Categoría de instalación II conforme a IEC664)</i>	

Conexión del cable de alimentación



ADVERTENCIA

El equipo no debe utilizarse en presencia de mezclas anestésicas inflamables con oxígeno, aire u óxido nitroso.

Aclaración: el equipo puede utilizarse en presencia de oxígeno, aire u óxido nitroso.



ADVERTENCIA

Compruebe el número de serie en el panel trasero del esterilizador para verificar la capacidad de voltaje de la unidad. Si no conecta el esterilizador a una fuente de alimentación adecuada, podría provocar daños a la unidad y sacudidas eléctricas al personal.



Advertencia sobre el equipo

Para garantizar un rendimiento óptimo, deje que el esterilizador alcance la temperatura ambiente antes de ponerlo en marcha.

Para conectar el cable de alimentación...

- A) Conecte el cable de alimentación a la toma de la parte trasera del esterilizador.
- B) Conecte el cable de alimentación a una toma con la polaridad correcta y con conexión a tierra para una asignación mínima de 15 A. Se recomienda el uso de un circuito dedicado exclusivamente al esterilizador.

Nota: Cuando la energía está desconectada, los mensajes que se muestran a continuación aparecerán en la pantalla.

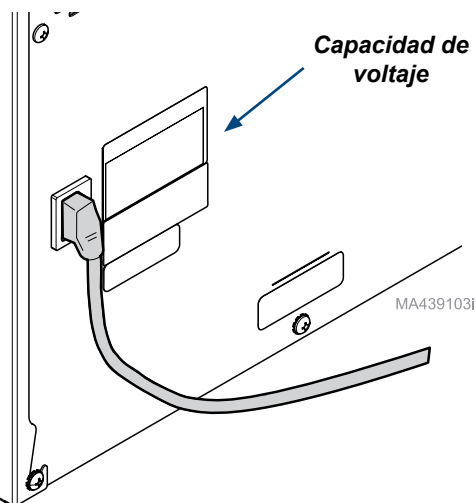
Pantalla:

INITIALIZING
SYSTEM

*

TOTAL CYCLES XXXX
M9, vXX.XX

SELECT CYCLE



* Esta pantalla mostrará el número total de ciclos que se ejecutaron en la unidad, el número de modelo (M9 o M11) y el número de la versión del software.

Funcionamiento

Antes de utilizar el esterilizador...



ADVERTENCIA

No utilice este esterilizador para esterilizar sustancias volátiles ni para otro propósito que no sea aquel para el cual fue diseñado. Pueden producirse quemaduras y condiciones tóxicas o explosivas.

Nunca fuerce la manija de la puerta. La presión de la cámara puede hacer que la puerta se abra con una fuerza extrema. Si la manija de la puerta no se mueve libremente, deje que la unidad se refresque y se despresurice durante 40 minutos antes de abrir la puerta. Si no lo hace puede provocar lesiones personales graves.

No ejecute el esterilizador sin el portabandejas en su lugar. En caso de mal funcionamiento del esterilizador, desenchúfelo inmediatamente y llame al servicio técnico; no intente reparar usted mismo el esterilizador. Si lo hace, puede provocar lesiones graves.



Precaución

Los ciclos programables 1 y 2 se proporcionan para las aplicaciones que requieren parámetros de esterilización diferentes a los de los ciclos predefinidos. El usuario debe asegurarse de que los materiales procesados son aptos para estos ciclos y confirmar así la esterilidad de la carga procesada.



Advertencia sobre el equipo

Para un óptimo rendimiento, deje que el esterilizador alcance la temperatura ambiente antes de ponerlo en marcha.

Llenado del depósito

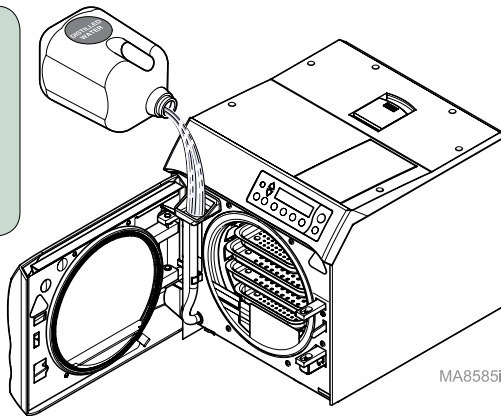
Para llenar el depósito...

- A) Abra la puerta de la unidad.
- B) Vierta el agua destilada dentro de la apertura de llenado hasta que su nivel llegue a la parte superior de la etiqueta de nivel de llenado en el indicador del nivel de agua.



Advertencia sobre el equipo

Utilice agua destilada o agua que cumpla con las especificaciones de pureza de agua indicadas. Si no respeta las indicaciones, el esterilizador podría no funcionar correctamente o podría fallar de forma prematura por exceso de corrosión.



MA8585i

Pruebas de calificación

Debe someter a prueba su esterilizador cada vez que se instale, sufra una avería, cambie de ubicación o se someta a una reparación importante, así como después de un proceso de esterilización fallido. Las pruebas de calificación deben realizarse antes de poner el esterilizador en funcionamiento. Si se utilizan múltiples tipos de ciclo, por ejemplo, “Pouches” (Bolsas) y “Packs” (Paquetes), cada tipo de ciclo debe calificarse. Las pruebas de calificación deben incluir como mínimo un indicador biológico (BI) (también conocido como prueba de esporas) y un indicador químico (CI). Deben someterse a prueba artículos procesados habitualmente, que además sean los más difíciles de esterilizar. En la cámara, deben colocarse más artículos junto al indicador biológico y el químico para que esta se encuentre cargada por completo (no exceda las capacidades máximas que se enumeran en las tablas en “Indicaciones para la carga” del presente manual). El esterilizador se ha instalado correctamente (o reinstalado después de una reubicación), o ha sido reparado según las especificaciones de los fabricantes, y funcionará de forma efectiva cuando, después de tres pruebas consecutivas, para cada tipo de ciclo probado se obtienen resultados negativos de los BI y lecturas adecuadas de todos los monitores físicos y CI, que demuestran la esterilización completa. Todos los artículos procesados durante las pruebas de calificación deben mantenerse en cuarentena hasta que estén disponibles los resultados de las tres pruebas biológicas.

Instrucciones de carga

Tipos de artículos

Antes de colocar cualquier instrumento en el M9 o M11, compruebe las especificaciones del fabricante para asegurarse de que los materiales son compatibles con la esterilización con vapor y verificar la aceptabilidad de los parámetros de esterilización. El M9 y M11 están diseñados para esterilizar los siguientes artículos:

- Instrumentos de metal
- Dispositivos de goma o plástico (por ejemplo, cánulas de succión, bandejas de impresión, etc.)
- Materiales para envolver o empaquetar (p. ej., *envoltura CSR, bolsas para instrumental, etc.*)
- Cajas (que se ajusten a las bandejas del esterilizador o a los separadores accesorios para cajas)
- Piezas de mano de alta o baja velocidad
- Instrumentos quirúrgicos (p. ej., instrumentos oftalmológicos)



Advertencia sobre el equipo

No esterilice artículos formados por cualquiera de los siguientes materiales en el M9 o M11.

- *Metales sensibles a la corrosión (por ejemplo, acero al carbono, hierro, etc.)*
- *Artículos frágiles que puedan romperse si se exponen a altas temperaturas o alta presión.*
- *Desechos biomédicos*
- *Plásticos que puedan romperse o generar residuos cuando se exponen al vapor o altas temperaturas.*

Ejemplos

Polietileno, estireno, celulosa, ABS, PVC, acrílicos (Plexiglass™), PPO (Noryl™), látex y neopreno

Instrucciones de carga (continuación)

Directrices generales



Precaución

Limpie y seque los instrumentos a fondo antes de colocarlos en la bandeja. La limpieza inadecuada puede no esterilizar los instrumentos o dañar la unidad. Siga las indicaciones del fabricante del instrumento y las recomendaciones reglamentarias para manipular y limpiar instrumentos antes de la esterilización.

- Coloque todos los recipientes de manera que la abertura deje penetrar el vapor y que el aire y el condensado drenen del recipiente.
- Utilice solo bandejas M9 y M11 en su esterilizador apropiado.
El uso de otras bandejas puede limitar el flujo de aire y vapor a los artículos.
- Los elementos articulados deben estar abiertos para su correcta esterilización.
- Las piezas de mano y los instrumentos deben colocarse de manera individual (ni apilados ni amontonados) para que el vapor pueda fluir y penetrar en los artículos.

Esterilización para el uso inmediato

El M9 y el M11 pueden esterilizar *para el uso inmediato*, es decir, esterilizan instrumentos sin envolver para utilizarlos inmediatamente. Coloque una toalla o papel absorbente en la parte inferior de la bandeja antes de depositar los artículos sin envolver en ella. Tenga en consideración los siguientes puntos al elegir si esterilizar o no sus instrumentos sin envolver:

- La esterilidad de los instrumentos no envueltos se ve comprometida al exponerlos a un ambiente no estéril. Siga las directrices reglamentarias para el uso de instrumentos sin envolver y esterilizados.
- Debido a la naturaleza sensible de algunos tipos de cirugía (que incluye, entre otras, a la oftalmológica), los instrumentos utilizados en esos procedimientos deben estar envueltos o embolsados para reducir su exposición a los residuos del proceso de esterilización. Cuando se procesan instrumentos para estos procedimientos de forma rutinaria, el depósito de agua también debe drenarse y volverse a llenar de agua destilada fresca a diario.

Embolsado y envoltura de artículos

El M9 y el M11 pueden esterilizar artículos envueltos o en bolsas que preservan su esterilidad tras el procesamiento.

- Para embolsar o envolver instrumental utilice únicamente bolsas y envoltorios que hayan sido aprobados por la FDA y estén etiquetados para el uso con el ciclo de esterilización por vapor que se utilice.
Siga las instrucciones de uso del fabricante.
- Cuando use cajas en el M9 / M11, siga las instrucciones de uso del fabricante.
- No apriete demasiado los artículos al envolverlos. La esterilización puede verse comprometida si un artículo se ha envuelto excesivamente.
- Las bolsas deben estar envueltas sin tensión, y pueden estar superpuestas, pero las piezas de mano e instrumentos deben colocarse de manera individual (ni apilados ni amontonados) para permitir que el vapor fluya y penetre en los artículos.
- La posición más adecuada de las bolsas es colocarlas sobre el borde, para lo cual se utiliza el accesorio separador de bolsas de Midmark. Si usa la bandeja estándar, las bolsas deben colocarse con el lado del papel hacia abajo.

Instrucciones de carga (continuación)

Empaquetamiento de las bandejas



Advertencia sobre el equipo

No use toallas o embalajes que puedan contener residuos de lejía. No respetar estas indicaciones puede causar oxidación o decoloración en la cámara o las bandejas, y reducir significativamente la vida útil del esterilizador.

Este esterilizador debe utilizarse siempre con bandejas (a menos que se utilice el kit opcional de separador para caja); de lo contrario, pueden producirse daños graves en el equipo.

Los artículos deben procesarse siguiendo todas las directrices regulatorias aplicables para el control de infecciones.

- Todos los artículos que van a esterilizarse deben colocarse de manera que el vapor circule.
- Todos los artículos deben caber dentro de la bandeja del M9 / M11.
- La bandeja cargada debe deslizarse dentro de la abertura de la cámara con holgura.
- Los artículos no deben estar en contacto.
- Las bolsas pueden estar un poco superpuestas, pero no el instrumental.

Instrucciones de carga (continuación)

Tamaño de la carga

Consulte las siguientes tablas para esterilizar la máxima carga posible. Si una carga rebasa estos límites, le recomendamos dividir la carga y realizar varios ciclos. A continuación se enumeran las cargas máximas recomendadas para cada bandeja y las cargas totales:









ADVERTENCIA

No sobrecargue la cámara. Es necesario dejar el espacio adecuado alrededor de los artículos en las bandejas para la circulación del vapor y el secado. Si no se deja el espacio adecuado, la esterilización y el secado se verán comprometidos. No ejecute el esterilizador sin el portabandejas en su lugar.

M9 (capacidad máxima)			
Tipo de carga	Bandeja grande M9	Bandeja pequeña M9	Total del esterilizador M9
Artículos sólidos	42 instrumentos - 1089 gramos (2,4 lbs) ○	28 instrumentos - 726 gramos (1,6 lbs) ○	140 instrumentos - 3629 gramos (8,0 lbs) ○
Handpieces (Piezas de mano)	9 en un separador ○	9 en un separador ○	9 piezas de mano en un separador y 75 instrumentos ○
Paquetes*	66 in ³ (≤ 1 in de grosor) 1082 cm ³ (≤ 2,5 cm de grosor)	48 in ³ (≤ 1 in de grosor) 787 cm ³ (≤ 2,5 cm de grosor)	228 in ³ (≤ 1 in de grosor) 3736 cm ³ (≤ 2,5 cm de grosor)

M11 (capacidad máxima)			
Tipo de carga	Bandeja grande M11	Bandeja pequeña M11	Total del esterilizador M11
Artículos sólidos	45 instrumentos - 1225 gramos (2,7 lbs) ○	30 instrumentos - 816 gramos (1,8 lbs) ○	150 instrumentos - 4082 gramos (9,0 lbs) ○
Handpieces (Piezas de mano)	9 en un separador ○	9 en un separador ○	9 piezas de mano en un separador y 75 instrumentos ○
Paquetes*	270 in ³ (≤ 2 in de grosor) 4425 cm ³ (≤ 5 cm de grosor)	195 in ³ (≤ 2 in de grosor) 3195 cm ³ (≤ 5 cm de grosor)	930 in ³ (≤ 2 in de grosor) 15240 cm ³ (≤ 5 cm de grosor)
*Deje un mínimo de 6,4 mm (1/4") de espacio entre cada paquete y también de la pared de la cámara.			

Tipo de ciclo	Parámetros del ciclo			Tiempo de Secado ²	Artículos a esterilizar (Consulte siempre las recomendaciones de esterilización del fabricante del artículo).
	Temp. (Min)	Tiempo	Presión. ¹ (Ref.)		
 Unwrapped (Sin envolver)	270°F (132°C)	3 min.	27.1 psi (186 kPa)	30 min.	<ul style="list-style-type: none"> Instrumentos sueltos en una bandeja. Frascos de cristal o metal abiertos. Tubos que no se utilicen en intervenciones quirúrgicas. <i>(Longitud máx. – 1,016 m (40") y diámetro interior mín. – 4,75 m (187")</i> Artículos sueltos cuyos fabricantes recomienden exponer a 132 °C (270 °F) durante 3 minutos. <i>Nota: la esterilidad de artículos no envueltos se verá comprometida al exponerlos a un ambiente no estéril.</i>
 Pouches (Bolsas)	270°F (132°C)	5 min.	27.1 psi (186 kPa)	30 min.	<ul style="list-style-type: none"> Instrumentos en bolsas o envueltos de manera individual. Varias capas de instrumentos separadas por tela. Bandejas con instrumentos sueltos envueltas. Cajas envueltas. Tubos que no se utilicen en intervenciones quirúrgicas. Artículos envueltos cuyos fabricantes recomienden exponer a 132 °C (270 °F) durante 5 minutos.
 Packs (Paquetes)	250°F (121°C)	30 min.	15 psi (104 kPa)	30 min.	<ul style="list-style-type: none"> Paquetes textiles y quirúrgicos envueltos para la esterilización. Artículos, excepto líquidos, cuyos fabricantes recomienden exponer a 121 °C (250 °F) durante 30 minutos.
 Handpieces (Piezas de mano)	270°F (132°C)	6 min.	27.1 psi (186 kPa)	30 min.	<ul style="list-style-type: none"> Piezas de mano odontológicas (envueltas o no envueltas) <i>Nota: verifique que los parámetros de esterilización son aptos contrastando las indicaciones del fabricante de la pieza de mano.</i>
 Programable Definido por el usuario	230°F (110°C) to 275°F (135°C)	3 min. to 90 min.	6 psi (41 kPa) to 31 psi (214 kPa)	30 min.	<ul style="list-style-type: none"> Artículos adecuados para parámetros definidos por el usuario. <p>Precaución  <u>El usuario debe asegurarse de que los materiales procesados son aptos para estos ciclos y confirmar así la esterilidad de la carga procesada.</u></p> <p>Los ciclos programables 1 y 2 se proporcionan para las aplicaciones que requieren parámetros de esterilización diferentes a los de los ciclos predefinidos. La temperatura de esterilización puede ajustarse entre de 110° y 135°C (230° y 275°F). El intervalo de temperaturas permitido para una correcta esterilización es de 121° y 135°C (250° y 275°F). No deben usarse temperaturas inferiores a 121°C (250°F) para la esterilización, a no ser que lo recomiende fabricante del dispositivo. Las temperaturas por debajo de 121°C (250°F) solo se emplean para desinfección.</p>

1. La presión que se muestra en la tabla sirve solo a modo de referencia. Esta es la presión ideal que tiene el vapor saturado cuando alcanza la temperatura de esterilización. La presión que aparece en la pantalla del esterilizador puede ser más elevada o bajar.

2. El tiempo de secado puede cambiarse de 0 a 60 minutos. Consulte **Ejecución del ciclo**.

Ejecución del ciclo

Los siguientes pasos son una descripción detallada de la ejecución del ciclo:



Advertencia sobre el equipo

El esterilizador no funcionará a menos que la puerta esté cerrada y bloqueada correctamente.

Paso 1: Cierre y asegure la puerta.

- A) Eleve la manilla de la puerta, luego cierre la puerta.
- B) Al empujar la puerta, deslice la manilla de la puerta hacia abajo para bloquearla.

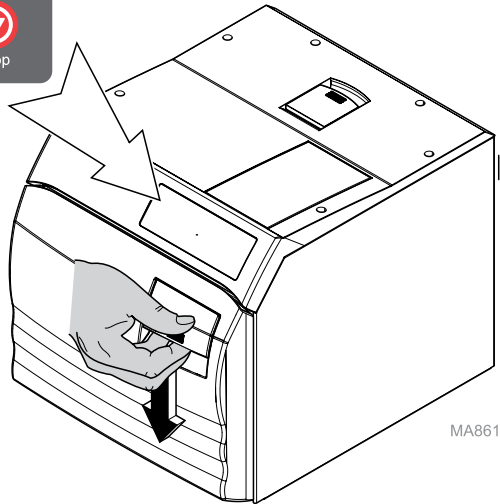


Botones de ciclo
(programables)

Botones de ciclo
(preprogramados)

Nota

Al comenzar o finalizar un ciclo, si pulsa el botón **Start** (Inicio) cuando se muestra "SELECT CYCLE" (SELECCIONAR CICLO), se activa el calentador durante 10 minutos. En la pantalla parpadea "ADDITIONAL HEAT" (CALOR ADICIONAL). Esto permite precalentar la cámara antes de iniciar un ciclo o añadir tiempo al modo de secado cuando un ciclo finaliza. Si pulsa **Stop** (DETENER), el tiempo de calor adicional (ADDITIONAL HEAT) finaliza.



MA8611i



Advertencia sobre el equipo

El uso de un programa de esterilización incorrecto puede dar lugar a la no esterilización de los artículos y dañar los instrumentos. Obtenga las instrucciones de esterilización específicas del instrumento contactando a su fabricante.

Paso 2: Seleccione el ciclo deseado.

- A) Pulse el botón del ciclo que desee en el panel indicador.
(Consulte la tabla de especificaciones de temperatura y tiempo en "Parámetros del ciclo").



Ejecución del ciclo (continuación)

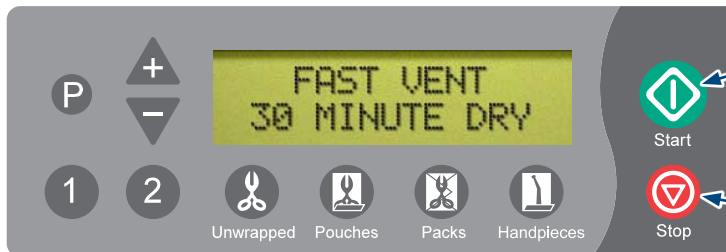
Después de presionar el botón del ciclo, en la pantalla se muestran los parámetros de ese ciclo.

Nota

En unidades que utilizan el sistema métrico, °F se mostrará como °C, y PSI se mostrará como kPa.

Pulsar **P** permite modificar el tiempo DRY (secado) de 0 a 60 minutos en incrementos de 1 minuto en un ciclo preprogramado.

Al pulsar  se reduce el tiempo. Al pulsar  se incrementa el tiempo.



Start (Inicio)

Stop (Detener)



ADVERTENCIA

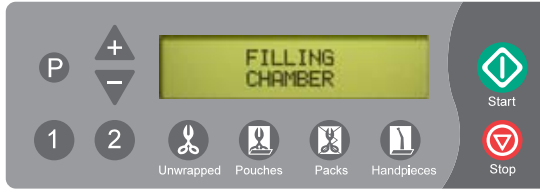
El botón STOP (DETENER) puede pulsarse en cualquier momento para detener o interrumpir un ciclo. Los objetos no se han esterilizado correctamente si esto se produce antes del ciclo de secado. El esterilizador volverá al modo SELECT CYCLE (SELECCIONAR CICLO).



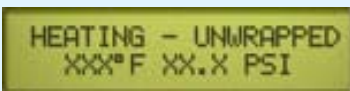
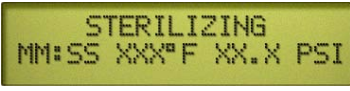



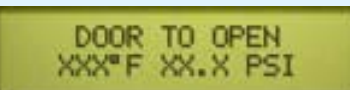
Paso 3: Presione el botón "Start" (Inicio) para iniciar el ciclo.

Oirá un "bip" durante dos segundos, esto indica que ha comenzado el ciclo.

Ejecución del ciclo (continuación)



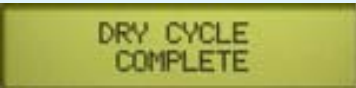
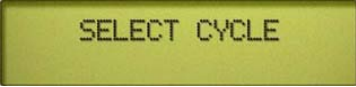
Después de pulsar el botón “Start” (Inicio), en la pantalla se muestra la etapa/estado del ciclo. La siguiente tabla ilustra los mensajes que se emiten en cada etapa del ciclo.



Etapa del ciclo	Descripción	Pantalla
Llenado	La cámara comienza a llenarse con agua.	
	Cuando el agua alcanza el nivel adecuado...	
Calentamiento	La pantalla cambia según cambian la temperatura y la presión de la cámara. <i>(Las unidades métricas se pueden mostrar si así se desea).</i>	
Esterilización	La esterilización comienza cuando se alcanza la temperatura y presión correctas. El tiempo restante del ciclo se cuenta regresivamente mientras la temperatura y la presión de la cámara se actualizan de forma continua.	
Listo para ventilación	Cuando quedan 10 segundos para finalizar el ciclo de esterilización, se muestra “READY TO VENT” (LISTO PARA VENTILACIÓN).	
Ventilación rápida	Cuando se acaba el tiempo del modo de esterilización, se abre la válvula de ventilación. El vapor y el agua vuelven al depósito. La pantalla cambia según cambian la temperatura y la presión de la cámara.	
	Precaución <i>Manténgase alejado cuando vaya a abrir la puerta del M9/M11. De lo contrario, pueden sufrirse quemaduras graves por el vapor liberado.</i>	
Apertura de puerta (automático)	Se emite una señal audible que indica que la puerta va a abrirse. Cuando la presión en la cámara llega a cero, la puerta se acciona para pasar a la posición de apertura parcial (modo de secado).	

La tabla continúa en la página siguiente...

Ejecución del ciclo (continuación)

Etapa del ciclo	Descripción	Pantalla
	Precaución <i>La carga procesada puede seguir mojada si se cancela el ciclo de secado antes de finalizar. Espere siempre el tiempo necesario a que la carga se seque en el esterilizador para evitar que se contaminen.</i>	
Secado	El tiempo del ciclo de secado se cuenta regresivamente. Si lo desea, puede cancelar el ciclo de secado pulsando el botón STOP (DETENER).	
	Cuando el tiempo de secado llega a 0:00...	
Ciclo completo	Se emite una señal audible durante 10 segundos.	



Precaución

La carga procesada y las superficies internas estarán calientes. Evite el contacto con las superficies calientes. De lo contrario, pueden sufrirse quemaduras graves.

Paso 4: Retire la carga procesada de la cámara.

- A) Consulte el apartado “Descarga de bandejas y cajas calientes” del presente manual.
- B) Ahora, el esterilizador está listo para iniciar otro ciclo.

Procesamiento posterior a la esterilización

Los artículos deben procesarse siguiendo todas las directrices regulatorias aplicables para el control de infecciones.

El personal cualificado responsable del control de infecciones debe preparar un protocolo de manejo de artículos esterilizados. Todo el personal encargado de la manipulación de instrumental estéril debe seguir este protocolo.

Descarga de bandejas y cajas calientes

(Uso de la herramienta opcional para bandejas y cajas)



Precaución

Utilice la herramienta para bandejas y cajas 9A307001 solo con bandejas fabricadas por Midmark.

Las bandejas y las cajas pueden estar CALIENTES. Tenga precaución cuando las retire o las transporte.

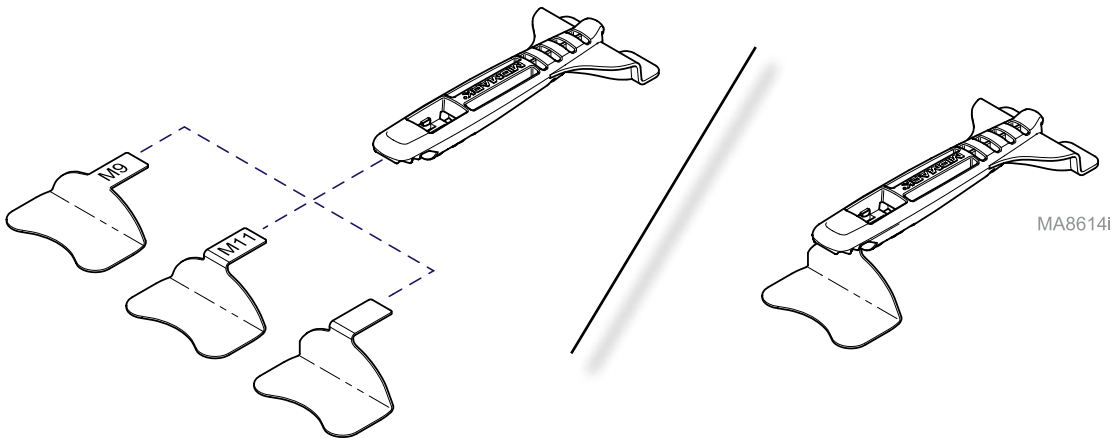
Mantenga las bandejas niveladas y ligeramente elevadas para que no se inclinen y se desordene su contenido.

Si no lo hace, puede sufrir lesiones por quemaduras.

Paso 1: Ensamble la herramienta para bandejas y cajas.

A) Deslice la placa adecuada en la manilla tal y como se muestra.

Nota: Se incluyen tres placas. Cada una cumple una función específica. (bandejas M9, bandejas M11, cajas).



Descarga de bandejas y cajas calientes (continuación) (Uso de la herramienta opcional para bandejas y cajas)

Para retirar bandejas M9 / M11...

- A) Enganche la pestaña dentada superior de la herramienta a la parte central superior del borde de la bandeja.
- B) Gire la herramienta hacia abajo hasta que la placa de la herramienta se haya introducido por completo por debajo de la bandeja.
- C) Asegúrese de que la bandeja está bien sujeta y luego extráigala de la cámara.



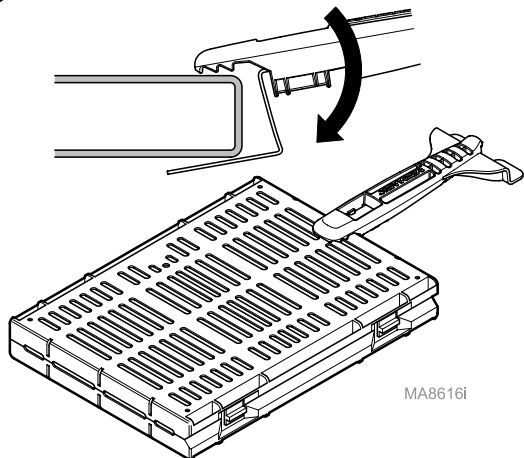
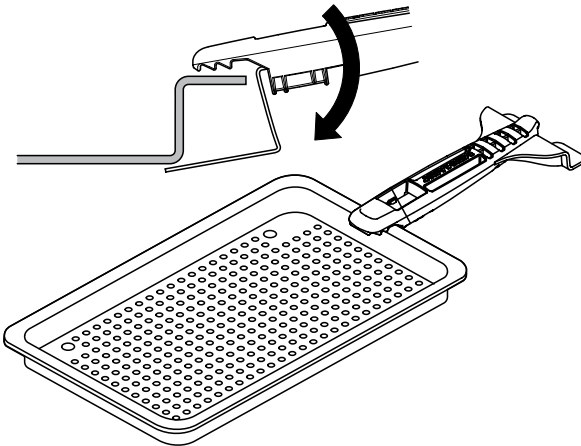
Precaución

Cuando extraiga la caja, sostenga la herramienta de manera que el extremo de la caja esté ligeramente elevado, y tenga cuidado de que no se deslice y se sale de la herramienta.

Para retirar las cajas...

- A) Enganche la pestaña dentada superior de la herramienta a la parte central superior del borde de la caja.
- B) Gire la herramienta hacia abajo hasta que la placa de la herramienta se haya introducido por completo por debajo de la caja.
- C) Asegúrese de que la caja esté bien sujeta, y extráigala de la cámara.

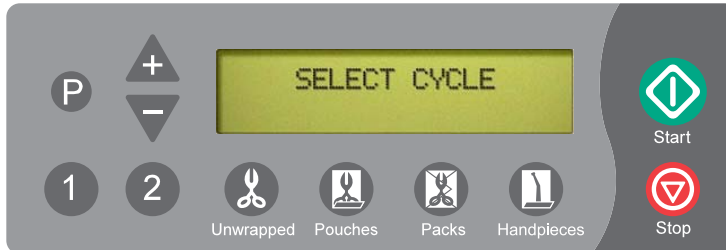
Nota: La herramienta para casetes puede manipular casetes de hasta 3,8 cm (1 1/2") de grosor.



MA8616i

Botones de ciclo programables

Los botones de ciclo **1** **2** sirven para aplicaciones personalizadas que no cubren los programas de ciclo estándar. Después de guardar un programa personalizado, se utiliza pulsando los botones **1** o **2**. Utilice las instrucciones de la siguiente tabla para ajustar los parámetros de tiempo y de temperatura para estos botones. (Si desea modificar los ajustes, estos botones pueden volverse a programar cuando quiera).



NOTA:

Si pulsa el botón STOP (DETENER) durante este procedimiento, se cancelarán los cambios y se volverá a los ajustes originales.


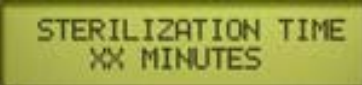


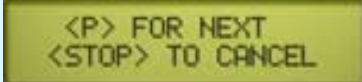




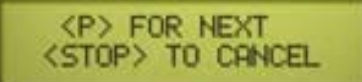

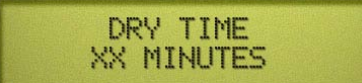
Acción	Descripción	Pantalla
<p>Pulse el botón deseado</p> <p>1 2</p>	Selección del botón que va a programarse.	
<p>Pulse</p> <p>P</p>	Esto muestra la pantalla de programación de la temperatura de esterilización.	
	<p>Precaución</p> <p>La temperatura de esterilización puede ajustarse entre un mínimo de 110 °C (230 °F) y un máximo de 135 °C (275 °F). El intervalo de temperaturas permitido para una <u>correcta</u> esterilización es de 121° a 135°C (250° a 275°F).</p> <p><u>No</u> deben usarse temperaturas inferiores a 121 °C (250 °F) para la esterilización, a no ser que lo recomiende fabricante del dispositivo. Las temperaturas por debajo de 121 °C (250 °F) solo se emplean para desinfección.</p>	
<p>Ajuste Sterilization Temperature (Temperatura de esterilización)</p> <p>+ -</p>	<p>Los botones “+” y “-” ajustan la temperatura en incrementos de 1°.</p> <p>Cuando la temperatura deseada aparece en la pantalla...</p>	

La tabla continúa en la página siguiente...

Botones de ciclo programables (continuación)

NOTA:

Si pulsa el botón STOP (DETENER) durante este procedimiento, se cancelarán los cambios y se volverá a los ajustes originales.


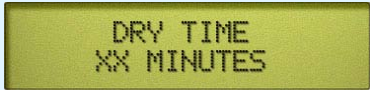



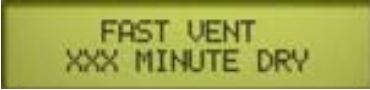

Acción	Descripción	Pantalla
<p>Pulse</p> 	<p>Para guardar la temperatura. Esto muestra la pantalla de programación del tiempo de esterilización que muestra el valor actual.</p>	
	<p>Precaución <i>El tiempo de esterilización puede ajustarse entre un mínimo de 3 minutos y un máximo de 90 minutos. Es importante coordinar correctamente el tiempo de ciclo con la temperatura de esterilización.</i></p>	
<p>Tiempo de esterilización</p> 	<p>Los botones “+” y “-” ajustan el tiempo en incrementos de 1 minuto.</p> <p>Cuando el tiempo deseado se muestre en la pantalla...</p>	 
<p>Pulse</p> 	<p>Para guardar el tiempo de esterilización. Esto muestra la pantalla de programación de la velocidad de ventilación y el valor actual.</p>	
<p>Ajuste la velocidad de ventilación</p> 	<p>En ventilación FAST (RÁPIDA), la válvula se abre por completo y ventila la cámara.</p> <p>En ventilación SLOW (LENTA), la válvula se abre durante una fracción de segundo (una vez por minuto) para ventilar la cámara lentamente.</p> <p>Si pulsa “+”, se ajusta: FAST (RÁPIDA) Si pulsa “-” se ajusta: SLOW (LENTA)</p> <p>Cuando la configuración deseada aparece en la pantalla...</p>	 
<p>Pulse</p> 	<p>Para almacenar la configuración y mostrar la pantalla de programación de Dry Time (Tiempo de secado) y el valor actual.</p>	

La tabla continúa en la página siguiente...

Botones de ciclo programables (continuación)

NOTA:

Si pulsa el botón STOP (DETENER) durante este procedimiento, se cancelarán los cambios y se volverá a los ajustes originales.

Acción	Descripción	Pantalla
<p>Tiempo de secado</p> 	<p>Dry Time (Tiempo de secado) puede ajustarse de 0 a 60 minutos.</p> <p>Los botones “+” y “-” ajustan el tiempo en incrementos de 1 minuto.</p> <p>Cuando el tiempo deseado se muestre en la pantalla...</p>	 
<p>Pulse</p> 	<p>Para almacenar la configuración y completar el proceso de programación. La pantalla mostrará los nuevos parámetros de ciclo.</p> <p>Nota <i>La configuración programada se retiene bajo el botón de número de programa <1> o <2>. Aunque se corte la alimentación o se desenchufe la unidad, se mantendrá la configuración.</i></p>	 
	<p>Precaución <i>El usuario debe asegurarse de que los materiales procesados son aptos para estos ciclos. De lo contrario, la esterilización puede no realizarse correctamente.</i></p>	

Mantenimiento

Mensajes de mantenimiento

Para asegurar el funcionamiento adecuado y la máxima vida útil de esterilizador, siga minuciosamente todas las recomendaciones para el mantenimiento periódico. El mantenimiento recomendado es fácil de hacer y toma muy poco tiempo.

Una de las medidas MÁS importantes para prevenir problemas en el esterilizador es garantizar que SOLO se usa agua destilada o agua que cumple con las especificaciones de pureza de agua indicadas (NO AGUA DEL GRIFO). Debido a que el esterilizador funciona con agua a altas temperaturas, cualquier mineral disuelto en el agua formará depósitos minerales. Esto puede hacer que las válvulas no se abran o cierren de forma adecuada y que se produzca corrosión en la cámara y los tubos.

La pantalla mostrará recordatorios de mantenimiento a intervalos adecuados para asistir al operador. Estos recordatorios desaparecen de la pantalla cuando se inicia un ciclo.

El usuario es responsable de establecer un procedimiento de mantenimiento periódico para asegurar el correcto funcionamiento del equipo y la esterilización fiable de las cargas. Contacte con su distribuidor o representante de servicios Midmark para planificar un programa de mantenimiento.

Mantenimiento diario



Advertencia sobre el equipo

Si el esterilizador suele utilizarse para procesar piezas de mano dentales que han sido lubricadas o sumergidas en soluciones dentales, drene el agua del depósito a diario. Rellene el depósito con agua destilada o con agua que cumpla con las especificaciones de pureza de agua indicadas.

• Limpie las superficies externas.

- A) Lave el exterior del esterilizador todos los días según el procedimiento de sus instalaciones para las superficies de contacto clínico teniendo en cuenta lo siguiente: (Desinfecte la unidad solo con desinfectantes cuaternarios. Las superficies plásticas de la unidad pueden mancharse, picarse, decolorarse o ablandarse si se limpian con desinfectantes a base de fenol, iodofores o glutaraldehído. Además, el alcohol o los limpiadores y desinfectantes de aerosol con alto contenido en alcohol pueden dañar la tapa frontal).
- B) Escorra el exceso de líquido del paño.
- C) Limpie las superficies externas con un paño suave.
- D) Siga las instrucciones indicadas en el limpiador o desinfectante sobre el aclarado y el secado de superficies exteriores.

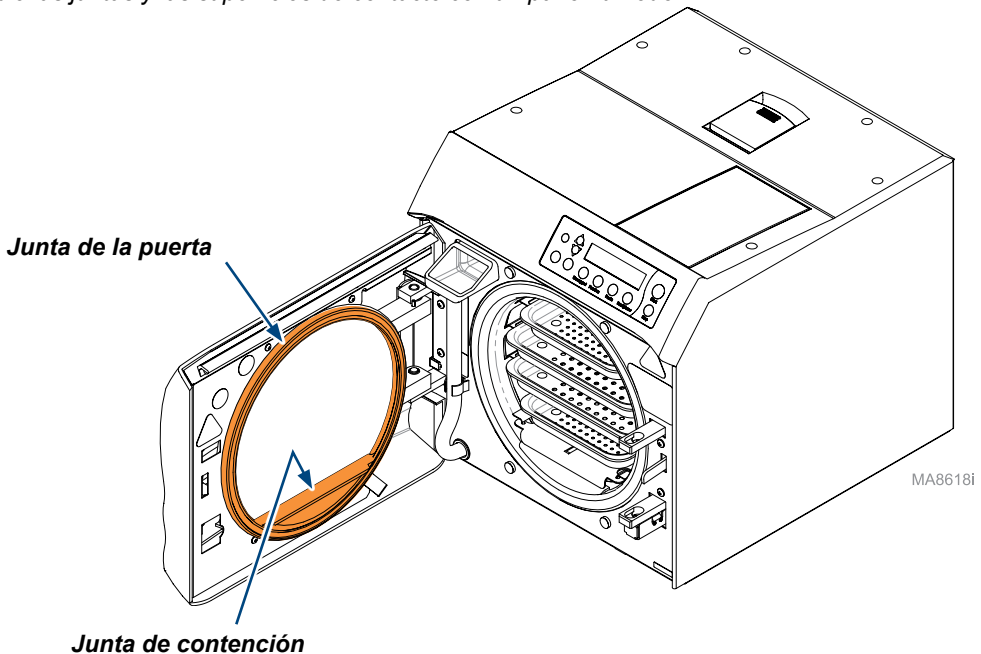
• Limpie las juntas de la puerta y de contención del esterilizador.



Precaución

Para evitar quemaduras, espere a que se enfríe la unidad antes de realizar la limpieza.

- A) Examine las juntas para detectar posibles daños.
- B) Limpie las juntas y las superficies de contacto con un paño húmedo.



Mantenimiento semanal



Advertencia sobre el equipo

Si no cambia el agua, el esterilizador puede no funcionar correctamente. No utilice agentes blanqueadores ni materiales abrasivos en la cámara (p. ej., lejía, estropajo de acero, cepillos de alambre, detergente en polvo, etc.). Si no se respetan estos puntos, la cámara u otros componentes pueden sufrir daños.

Nota

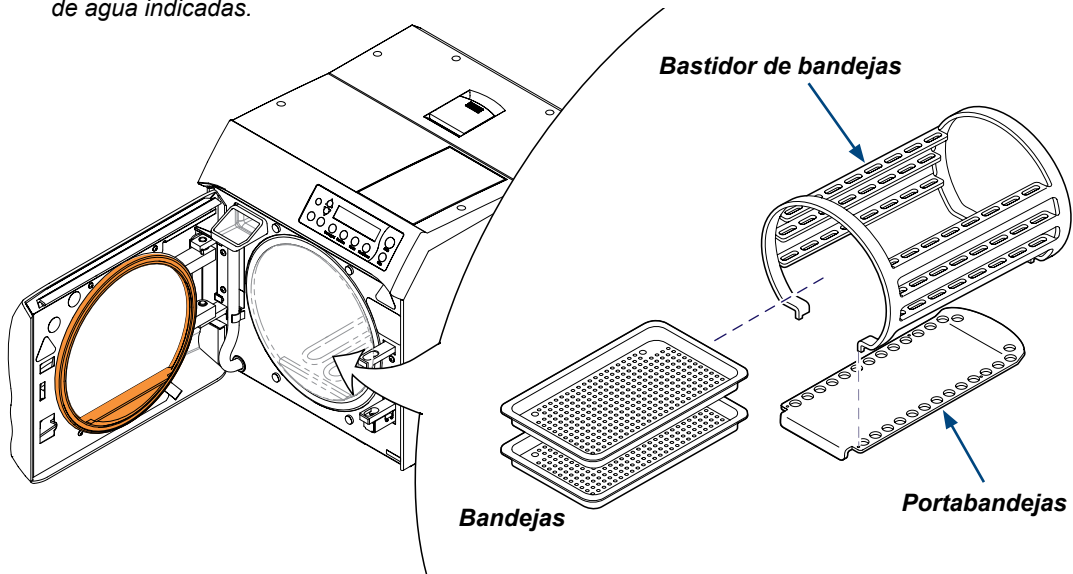
Cada siete días, el autoclave mostrará de forma automática el mensaje de PERFORM WEEKLY MAINTENANCE (REALIZAR MANTENIMIENTO SEMANAL). Si se desconecta de la fuente de energía, el ciclo de mensajes semanales se reinicia.

• Limpie la cámara y las bandejas (incluido el separador y el portabandejas)

Nota

El paso A no es necesario si el esterilizador está conectado al sistema de reducción térmica direct-to-drain.

- Desconecte la parte superior del tubo de drenaje del depósito de las pestañas del panel, dóblelo hacia abajo y drene el agua del depósito en un recipiente apropiado, por ejemplo, un cubo, y luego deseche el agua.
- Retire las bandejas, el bastidor de bandejas y el portabandejas del esterilizador. (Consulte la página siguiente para ver instrucciones sobre la extracción/instalación del bastidor de bandejas y el portabandejas).
- Lave el interior de la cámara, el separador, el portabandejas y las bandejas con un jabón suave o Speed-Clean y agua destilada.
- Llene el depósito con agua destilada o con agua que cumpla con las especificaciones de pureza de agua indicadas.



Mantenimiento semanal (continuación)

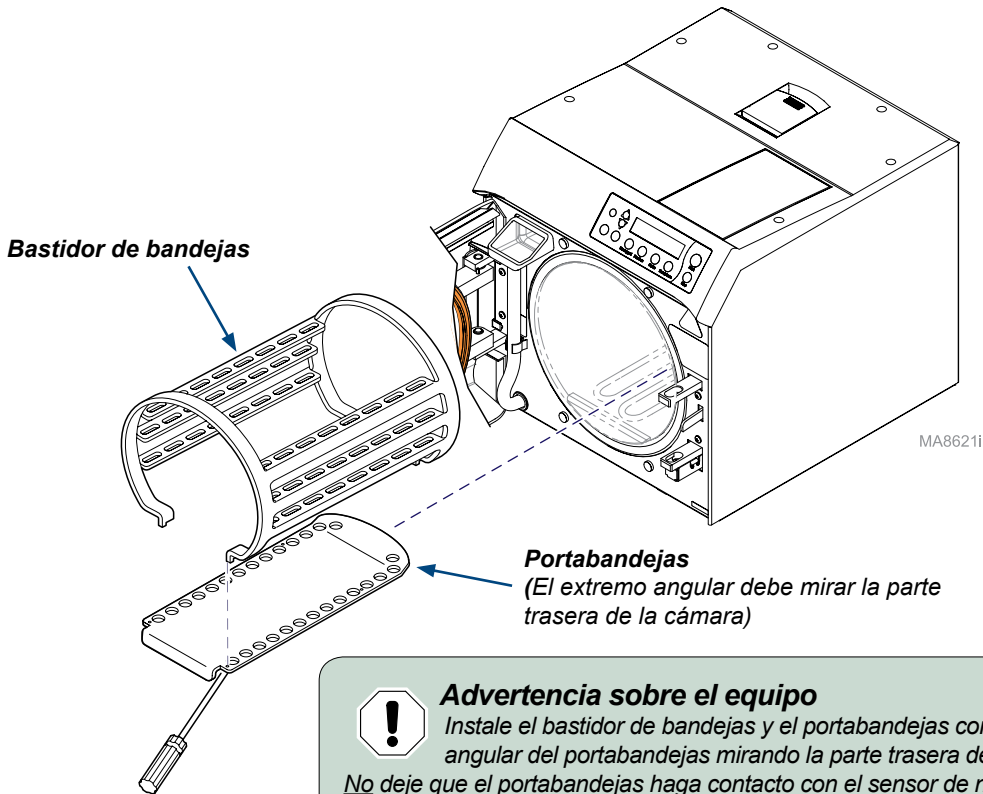


ADVERTENCIA

Deje enfriar la unidad antes de retirar o colocar el bastidor de bandejas y el portabandejas. Maneje el bastidor de bandejas metálico con cuidado para evitar lesiones. No ejecute el esterilizador sin el portabandejas en su lugar.

Para retirar el bastidor de bandejas y el portabandejas...

- A) Retire las bandejas.
- B) Con un destornillador empuje el portabandejas hacia arriba y extraiga el bastidor de bandejas y el portabandejas de la cámara.



Advertencia sobre el equipo

Instale el bastidor de bandejas y el portabandejas con el extremo angular del portabandejas mirando la parte trasera de la cámara. No deje que el portabandejas haga contacto con el sensor de nivel de agua.

Para instalar el bastidor de bandejas y el portabandejas...

- A) Introduzca el bastidor de bandejas en el portabandejas.
- B) Coloque la parte trasera del portabandejas en la cámara.
- C) Presione hacia abajo el bastidor de bandejas mientras lo introduce en la cámara.

Mantenimiento mensual



ADVERTENCIA

No procese los instrumentos mientras se lava el sistema.



Advertencia sobre el equipo

Utilice únicamente **Speed-Clean** para lavar el sistema. El hecho de no lavar el sistema con Speed-Clean puede derivar en un un fallo prematuro de los componentes esterilizadores.





Nota

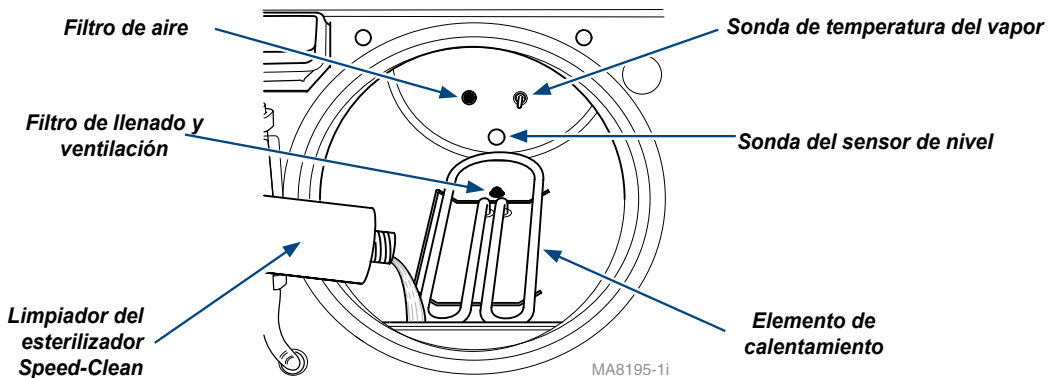
Cada 28 días, el esterilizador mostrará de forma automática el mensaje de **PERFORM MONTHLY MAINTENANCE (REALIZAR MANTENIMIENTO MENSUAL)**. Si se desconecta de la fuente de energía, el ciclo de mensajes mensuales se reinicia.

• Limpie la cámara y las tuberías

Nota

Los pasos del A al G solo deben realizarse trimestralmente si el esterilizador está conectado al sistema de reducción térmica **direct-to-drain**.

- A) Con la cámara fría, drene el depósito del esterilizador y rellénelo con agua destilada limpia, o agua que cumpla con las especificaciones de pureza de agua indicadas. Añada 29 gr (1 onza) del limpiador para esterilizadores Speed-Clean directamente en la parte inferior de la cámara.
- B) Ejecute un ciclo **Pouches (Bolsas)**. 
- C) Pulse el botón de **“Stop” (Parada)** cuando comience el ciclo Dry (Secado).  (No se requiere Dry Cycle (Ciclo de secado) durante el mantenimiento.)
- D) Vacíe el depósito y rellénelo por segunda vez con agua destilada o con agua que cumpla con las especificaciones de pureza de agua indicadas.
- E) Enjuague el esterilizador ejecutando un ciclo **Unwrapped (Sin envolver)** . Pulse el botón **“Stop” (Parada)**  cuando comience el ciclo de secado.
- F) Vacíe y rellene el depósito con agua destilada limpia o agua que cumpla con las especificaciones de pureza de agua indicadas, y deje que se enfríe el esterilizador.
- G) Retire las bandejas y el bastidor de bandejas. Limpie con un paño húmedo.



Mantenimiento mensual (continuación)

• Limpie la cámara y las tuberías (continuación)



Advertencia sobre el equipo

Limpie el interior de la cámara con precaución. Si no lo hace, puede dañar el elemento de calentamiento, la sonda de temperatura del vapor o la sonda del sensor de nivel.



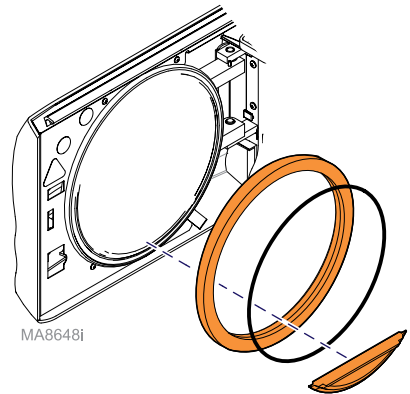
Advertencia sobre el equipo

No ponga en marcha el esterilizador sin que los filtros estén colocados en su sitio.

- H) Retire y limpie los filtros. Los filtros tienen evitan que la suciedad provoque fallos en la válvula. Entre cada limpieza mensual regular, los filtros deben limpiarse si están obstruidos, si los tiempos de ventilación son muy prolongados o si los artículos no se secan. (Vea la ilustración para saber dónde se encuentran las pantallas del filtro.)
- I) Sujete el filtro y sepárelo con suavidad de la pared de la cámara mientras lo gira ligeramente. (Si es necesario, utilice alicates para retirar los filtros)
- J) Limpie los filtros con Speed-Clean y agua destilada. Un pequeño cepillo de cerdas duras o un limpiador ultrasónico pueden serle de utilidad. Enjuague los filtros con agua destilada. Sustituya los filtros si no puede eliminar la suciedad.
- K) Limpie el interior de la cámara.
- L) Instale los filtros. (Presione hacia dentro, hacia la pared de la cámara, mientras lo gira ligeramente).
- M) Coloque el portabandejas, el bastidor y las bandejas.



• Extraiga y limpie la junta de la puerta y de contención

- A) Extraiga la junta de la puerta y la de contención de la puerta, luego extraiga el anillo de la junta de la puerta.
- B) Limpie las juntas y el anillo con Speed-Clean, agua destilada y un cepillo suave.
- C) Compruebe si las juntas están dañadas, han encogido o aumentado de tamaño. Sustituya las juntas si observa daños.
- D) Introduzca el anillo en el canal de la junta de la puerta y vuelva a colocarla en la puerta.
- E) Coloque la junta de contención.



Mantenimiento mensual (continuación)

- **Compruebe la válvula de despresurización** (debe revisarse cada mes para garantizar que funciona correctamente)

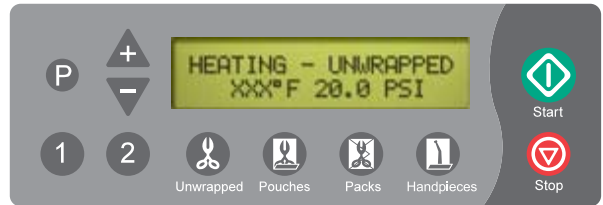
- A) Pulse el botón **Unwrapped** (Sin envolver) 
- B) Pulse el botón **Start** (Inicio) 




Precaución

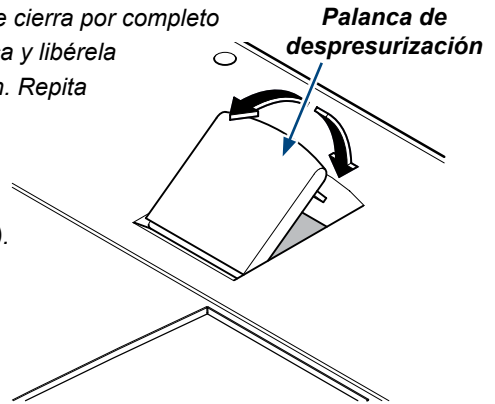
Durante la comprobación de la válvula de despresurización, el vapor se ventila por la parte inferior del esterilizador. Para no quemarse, coloque una barrera contra el vapor (o una toalla enrollada) alrededor de la parte inferior del esterilizador.

- C) Espere hasta que la presión en la cámara alcance los 138 kPa (20 PSI).



- D) Tire firmemente de la palanca de despresurización hacia arriba durante aproximadamente 3 segundos, y suéltela. (El vapor debe salir por debajo de la parte trasera de la unidad cuando tira de la palanca. Si la válvula no se cierra por completo cuando se suelte la palanca, tire otra vez de la palanca y libérela rápidamente para que vuelva a encajar en su posición. Repita esto hasta que la válvula se asiente adecuadamente).

- E) Pulse el botón **Stop** (Parada)  (El ciclo se cancela para evitar el sobrecalentamiento).



Advertencia sobre el equipo

Si se necesita demasiada fuerza para abrir la válvula de despresurización, o si la válvula no asienta correctamente, debe sustituir la válvula. (Consulte "Solicitud de servicio técnico" en este manual).

MA601301i

Mantenimiento a largo plazo

El M9 y el M11 están diseñados y probados para ofrecer una fiabilidad excepcional durante su vida útil. Sin embargo, como todos los dispositivos electromecánicos, sufren desgaste y degradación por el uso.

Para garantizar la integridad, el rendimiento y la seguridad de los principales componentes, el usuario debe realizar una inspección en un proveedor de servicios autorizado Midmark cada 10 años o 10 000 ciclos de uso, según lo primero que tenga lugar. Después de 10 años o 10 000 ciclos de uso, se recomienda una inspección anual por un proveedor de servicios autorizado por Midmark.

Impresora (opcional)

Uso de la impresora

Cuando el esterilizador está enchufado, la impresora se enciende automáticamente e inicia. No se necesita intervención ni configuración por parte del usuario.

Descripción de la cinta de impresión

La impresora imprimirá la siguiente información para cada ciclo del programa:

- Número de ciclo
- Identificación: se imprime una línea para registrar la identificación del esterilizador en la cinta de impresión
- Operador: se imprime una línea para que el operador pueda firmar en la cinta de impresión.
- Fecha: se imprimen líneas para el mes, el día, el año, la hora y el minuto para que el operador pueda registrar la fecha y la hora en la cinta de impresión.
- "BEGIN selected CYCLE" (Inicio del ciclo seleccionado): indica el comienzo del ciclo seleccionado por el operador.
- Resumen de los puntos de ajuste del ciclo seleccionado.

Una vez que comienza el ciclo, la impresora imprime "FILLING CHAMBER" (LLENADO DE LA CÁMARA) para mostrar que el esterilizador se está llenando con agua.

Una vez que el esterilizador comienza la fase de calentamiento del ciclo de esterilización, se imprime "HEATING" (CALENTAMIENTO), y la impresora imprime la temperatura de la cámara, la presión y el tiempo transcurrido en incrementos de 30 segundos hasta que se completa esta fase.

Cuando el esterilizador comienza la fase de esterilización, se imprime la palabra "STERILIZING" (ESTERILIZACIÓN) y la impresora imprime la temperatura de la cámara, la presión y el tiempo transcurrido en incrementos de 30 segundos hasta que se completa esta fase.

Cuando el esterilizador completa la fase de esterilización del ciclo de programa, la impresora imprime "VENTING CHAMBER" (VENTILACIÓN DE LA CÁMARA) para indicar que se está reduciendo la presión de vapor de la cámara.

Cuando el esterilizador ingresa en la etapa de secado, se imprime la palabra "DRYING" (SECADO), y la impresora imprime el tiempo transcurrido en incrementos de 5 minutos que comienzan en 0:00 y las palabras "DRYING START" (INICIO DE SECADO). La impresora continúa imprimiendo el tiempo transcurrido en incrementos de 5 minutos hasta que se completa la fase de secado. El registro final para la fase de secado incluye las palabras "DRYING COMPLETE" (SECADO FINALIZADO). Si el tiempo de secado se programa con un tiempo no divisible entre 5, el registro final impreso de la fase de secado reflejará el tiempo de secado programado real en incrementos de 1 minuto, por ejemplo, un tiempo de secado de 12 minutos tendrá 5, 10 y 12 minutos impreso en la cinta de impresión.

Cuando el esterilizador completa la fase de secado del ciclo de esterilización, la impresora imprime un resumen del ciclo de esterilización con la duración de cada fase del ciclo y el tiempo total del ciclo. Después del resumen, la impresora imprime "CYCLE COMPLETE" (CICLO COMPLETO).

[NOTA: Si se cancela el ciclo de secado, no se imprimirán "DRYING COMPLETE" (SECADO COMPLETO) ni "CYCLE COMPLETE" (CICLO COMPLETO)].

Ejemplo de impresión de un ciclo de programa

Midmark M9 - v1.0.3
 Total Cycles (Ciclos totales): 10

 Sterilizer ID (ID del esterilizador)

 Operator (Operario)

 -- / -- / --- : --
 mm / dd / yyyy hh : mm
 (mm / dd / aaaa hh : mm)

BEGIN UNWRAPPED CYCLE (REPLISSAGE DE LA CUVE)

Temp.:	132,2 (270)	Grados C (Grados F)
Time (Tiempo):	3	Minutos (Minutes)
Dry (Secado):	30	Minutos (Minutes)

FILLING CHAMBER (LLENADO DE CÁMARA)

HEATING (CALENTAMIENTO)

mm:ss	Grados (Degrees)	kPA (PSI)
0:00	112,1 C (233,8 F)	0,0 (0,0)
0:30	110,7 C (231,3 F)	13,1 (1,9)
2:30	129,8 C (265,7 F)	172,4 (25,0)
3:00	132,9 C (271,3 F)	198,6 (28,8)

STERILIZING (ESTERILIZACIÓN)

mm:ss	Grados (Degrees)	kPA (PSI)
0:00	133,2 C (271,8 F)	28,9 (199,3)
0:30	133,6 (272,4)	203,4 (29,5)
2:30	133,7 (272,7)	202,0 (29,3)
3:00	133,7 (272,6)	202,0 (29,3)

Min (Mín.)	133,2 C (271,8 F)	197,9 (28,7)
Max (Máx.)	134,0 (273,2)	206,2 (29,9)

VENTING CHAMBER (VENTILACIÓN CÁMARA)

DRYING (SECADO)

MM:SS	
0:00	Drying Start (Inicio de secado)
5:00	
25:00	
30:00	Drying Complete (Secado completo)

FILLING (LLENADO):	03:22
HEATING (CALENTAMIENTO):	08:54
STERILIZING (ESTERILIZACIÓN):	03:00
VENTING (VENTILACIÓN):	02:16
DRYING (SECADO):	30:00
TOTAL CYCLE (CICLO TOTAL)	00:47:32

CYCLE COMPLETE (CICLO COMPLETO)

Número total de ciclos ejecutados en la unidad

Línea para identificar el esterilizador

Línea provista para la firma del operador

Espacio para registrar la fecha y la hora

Ciclo seleccionado

Configuración de la temperatura, el tiempo de esterilización y el tiempo de secado

Indica que se ha iniciado la fase de llenado

Durante la fase de calentamiento, la impresora registra la temperatura y la presión de la cámara en incrementos de 30 segundos

Durante la fase de esterilización, la impresora registra la temperatura y la presión de la cámara en incrementos de 30 segundos

Resumen de la fase de esterilización

Indica que se inició la fase de ventilación

Durante la fase de secado, la impresora registra el tiempo en incrementos de 5 minutos

Estas líneas no se imprimirán si el ciclo de secado se cancela antes de finalizar

Estas líneas muestran el tiempo total de secado completo

Resumen del ciclo

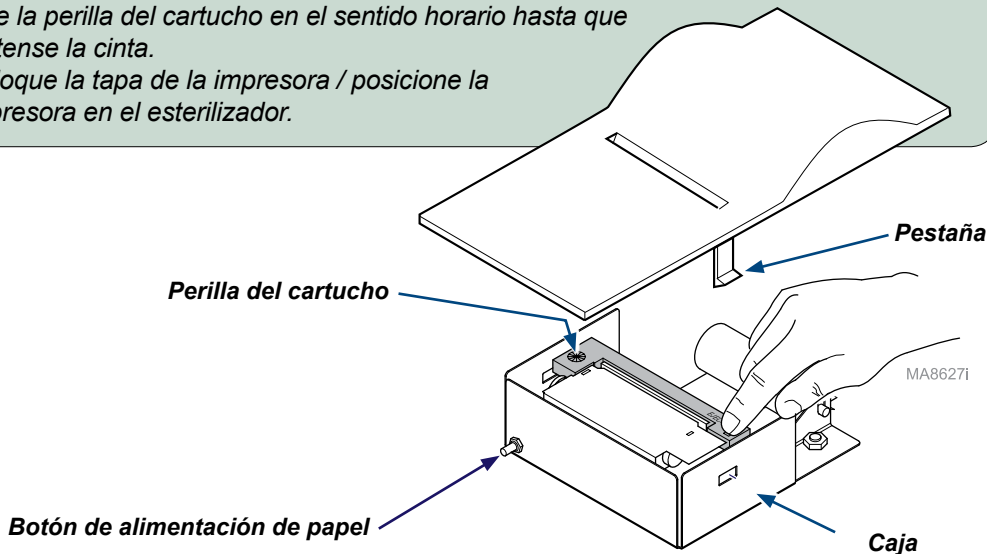
Sustitución del cartucho de cinta de la impresora

Nota

Si le cuesta leer la impresión y sospecha que la cinta está seca, avance hasta una parte de la cinta que contenga tinta pulsando el botón "PAPER FEED" (ALIMENTACIÓN DE PAPEL) durante tres segundos. Si este procedimiento no corrige el problema, sustituya el cartucho de cinta.

Para sustituir el cartucho de cinta...

- A) Retire el conjunto de la impresora de la tapa superior.
- B) Retire la tapa de la impresora. (Doble la carcasa hacia fuera levemente para liberar las lengüetas).
- C) Pulse en el lado del cartucho donde dice "Eject" (Expulsar), luego retire el cartucho.
- D) Coloque el nuevo cartucho. Asegúrese de que la cinta se ha colocado delante del papel y está plana en relación con él.
- E) Presione el cartucho hacia abajo hasta que haga un ruido y esté en su lugar.
- F) Gire la perilla del cartucho en el sentido horario hasta que se tense la cinta.
- G) Coloque la tapa de la impresora / posicione la impresora en el esterilizador.



Retirada del rollo de papel



Advertencia sobre el equipo

Asegúrese de que tira del papel por la parte superior de la impresora. Si tira de él por la parte trasera, dañará la impresora.

Antes de retirar el rollo de papel, haga avanzar el papel unos 2,5 cm (1") manteniendo pulsado el botón PAPER FEED (ALIMENTACIÓN DE PAPEL). Retire el rollo de papel de la carcasa de la impresora y, con una tijera, corte el rollo de papel que se introduce en la impresora. Intente que el corte sea lo más recto posible para facilitar la siguiente recarga de papel. Luego tire del papel restante a través del mecanismo de la impresora.

Instalación del rollo de papel



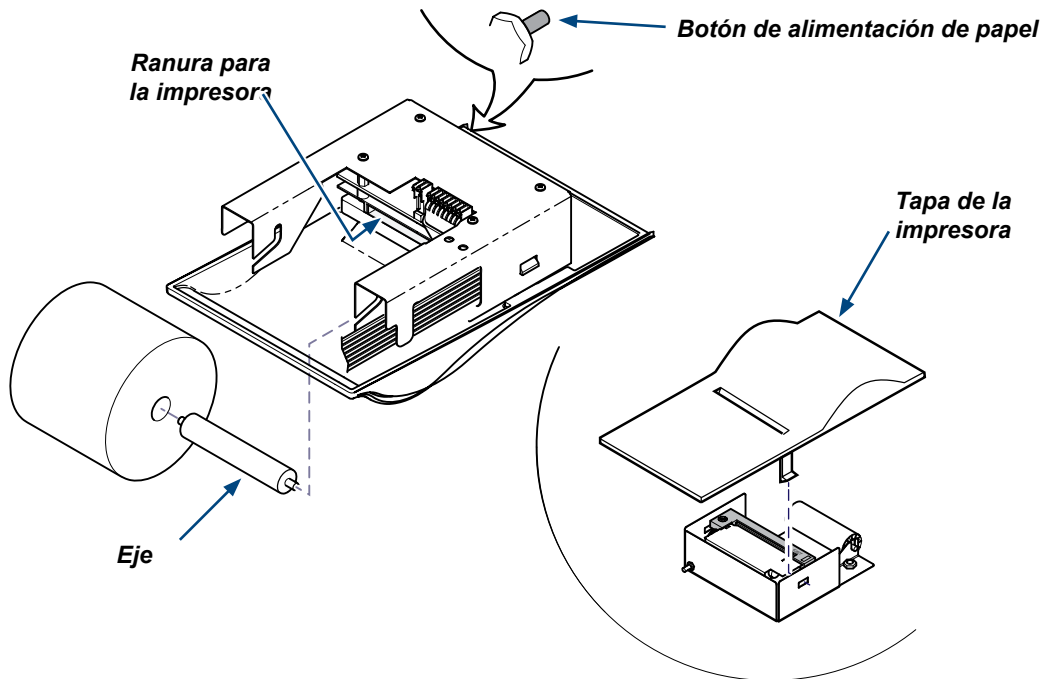
Advertencia sobre el equipo

Si se usan rollos de papel de más de 50 mm (1,97") de diámetro, puede fallar el mecanismo de alimentación de papel y se puede dañar la impresora.

Para instalar el rollo de papel...

- A) Dele la vuelta a la impresora.
- B) Introduzca el eje en un nuevo rollo de papel.
- C) Desenrolle entre 5 y 7,5 cm (entre 2 y 3") de papel.
- D) Si fuera necesario, corte recto el papel para introducirlo en la ranura de la impresora.
- E) Introduzca aprox. 6,4 mm (1/4") de papel en la ranura de la impresora.
- F) Mientras sostiene el papel en su lugar, mantenga pulsado el botón "PAPER FEED" (ALIMENTACIÓN DE PAPEL) hasta que salgan 2,5 cm (1") de papel por la ranura en la tapa de la impresora, luego suelte el botón*.
- G) Tire entre 5 y 7,5 cm (entre 2 y 3") de papel a través de la tapa de la impresora.
- H) Introduzca el rollo de papel / eje en las ranuras del soporte del eje tal y como se muestra.
- I) Gire el rollo de papel para retirar el sobrante del papel que alimenta la impresora.
- J) Coloque la impresora en su compartimento.

*Nota: si fuera necesario, retire la tapa de la impresora y alimente de forma manual el papel a través de la ranura en la tapa.



MA46500-1i

Resolución de problemas

Tabla de resolución de problemas

Utilice la siguiente tabla para corregir problemas menores del esterilizador.

Problema	Posible causa	Solución
El esterilizador no funciona (no se visualiza nada en la pantalla).	El cable de alimentación del esterilizador se ha desenchufado de la toma de corriente o de la parte trasera del esterilizador.	Asegúrese de que el cable de alimentación esté enchufado en la toma de corriente o en el esterilizador.
	No llega la alimentación a la toma de la fuente del esterilizador.	Compruebe el disyuntor para la toma de la fuente. Si el problema persiste, desenchufe el cable de alimentación de la unidad y llame a un técnico autorizado. (Consulte "Solicitud de servicio técnico")
	Fusible abierto en el circuito impreso principal.	Desenchufe el cable de alimentación de la unidad y póngase en contacto con un técnico autorizado (consulte "Solicitud de servicio técnico").
Se escapa vapor por la válvula de despresurización.	La válvula de despresurización no está correctamente asentada.	Coloque la válvula de despresurización correctamente. (Consulte "Mantenimiento mensual").
Evidencia de fallo de esterilización en el monitor de proceso (indicador químico, indicador biológico, etc.).	No existen las condiciones necesarias para la esterilización en el emplazamiento del indicador.	Recargue el esterilizador conforme a las "Instrucciones de carga" del M9 o M11. Si el problema persiste, desenchufe el cable de alimentación de la unidad y llame a un técnico autorizado. (Consulte "Solicitud de servicio técnico")
	El indicador está obsoleto, es inadecuado para el ciclo de esterilización o no funciona correctamente.	Utilice un indicador adecuado para la carga y el ciclo seleccionado que se haya almacenado correctamente. Contacte con el fabricante del indicador para obtener información adicional sobre su correcta selección, uso y almacenamiento, así como su posible mal uso o mal funcionamiento.
Escapes por la junta de la puerta.	La junta de puerta está dañada o sucia.	Limpie o sustituya la junta de la puerta. (Consulte "Mantenimiento semanal").
Los artículos no están secos al final del ciclo de secado.	El esterilizador no se ha cargado correctamente.	Recargue el esterilizador conforme a las "Instrucciones de carga" del M9 o M11. Si el problema persiste, desenchufe el cable de alimentación de la unidad y llame a un técnico autorizado. (Consulte "Solicitud de servicio técnico").
	Filtros obstruidos. (Compruebe los filtros de llenado/ventilación y de aire)	Limpie o sustituya los filtros. (Consulte "Mantenimiento mensual").
La impresora no imprime.	El cable de la impresora no está correctamente conectado.	Asegúrese de que el cable esté correctamente conectado a la impresora.
	Mal funcionamiento del software.	Desenchufe el cable de alimentación del esterilizador, espere 15 segundos, y vuelva a enchufarlo.
	La impresora no tiene papel.	Introduzca un rollo de papel nuevo. (Consulte los capítulos sobre retirada e instalación del rollo de papel).
	Se secó la cinta del cartucho.	(Consulte "Sustitución del cartucho de cinta").

Mensajes informativos

La siguiente tabla incluye los mensajes informativos que pueden aparecer durante el funcionamiento.

Mensaje	Posible causa	Solución
INITIALIZING SYSTEM (INICIO DEL SISTEMA)	El cable de alimentación acaba de enchufarse - mensaje informativo estándar.	El equipo funcionará normalmente después de 4 segundos.
TOTAL CYCLES XXX M9*, VX.X.X (TOTAL CICLOS) (*mostrará el número de modelo, M9, M11).	El cable de alimentación acaba de enchufarse - mensaje informativo estándar.	El equipo sigue funcionando con normalidad después de este mensaje.
PERFORM WEEKLY MAINTENANCE (REALIZAR MANTENIMIENTO SEMANTAL)	Este mensaje se muestra a los 7, 14 y 21 días después de enchufar la unidad a una fuente de alimentación y le indica al operador que realice el mantenimiento semanal descrito en este manual.	Realice el mantenimiento semanal. El mensaje desaparecerá automáticamente después de finalizar el siguiente ciclo.
PERFORM MONTHLY MAINTENANCE (REALIZAR MANTENIMIENTO MENSUAL)	Este mensaje se muestra cada 28 días para indicarle que realice el mantenimiento mensual descrito en este manual.	Realice el mantenimiento mensual. El mensaje desaparecerá automáticamente después de finalizar el siguiente ciclo.

Mensajes de error

La siguiente tabla y las siguientes páginas incluyen los mensajes de error que pueden aparecer durante el funcionamiento.



Precaución

Si se producen errores repetidamente, deje de usar el esterilizador. Anote el mensaje o el código de error, desconecte la unidad y póngase en contacto con un representante de servicio técnico autorizado. (Ver "Solicitud de servicio técnico"). Si el error de mensaje incluye: "Items Not Sterile" (Artículos no estériles), los artículos en el esterilizador no se han esterilizado; deben someterse a un proceso de esterilización.

Mensaje	Posible causa	Solución
C010: POWER UP MODE SYSTEM PWR LOSS (PÉRDIDA DE CORRIENTE DEL SISTEMA EN MODO DE ENCENDIDO)	Se ha cortado la corriente de la unidad durante el ciclo.	Pulse el botón STOP (DETENER) para reiniciar.
ITEMS NOT STERILE (ARTÍCULOS NO ESTÉRILES) PUSH STOP TO RESTART (PULSE DETENER PARA REINICIAR)		

La tabla continúa en la página siguiente...

Mensajes de error (continuación)

Mensaje	Posible causa	Solución
CO60: POWER UP MODE SYSTEM HARDWARE (HARDWARE DEL SISTEMA EN MODO DE ENCENDIDO)	Ha ocurrido un breve corte de corriente o un fallo interno imprevisto.	Desenchufe el cable de alimentación de la unidad durante 1 minuto y vuelva a enchufarlo. Si el problema persiste llame a un representante de servicio técnico autorizado. (Consulte "Solicitud de servicio técnico")
C102: FILL MODE STOP PRESSED (SE HA PULSADO STOP EN MODO DE LLENADO)	El botón STOP (DETENER) se ha pulsado durante el ciclo.	Pulse el botón STOP (DETENER) para reiniciar.
C103: HASTA C105 HEATUP, STERILIZE OR VENT MODE STOP PRESSED (SE HA PULSADO DETENER EN MODO CALENTAR, ESTERILIZAR O VENTILAR)	El botón STOP (DETENER) se ha pulsado durante el ciclo.	Espere unos instantes (hasta un minuto) mientras baja la presión / temperatura de la cámara. Pulse el botón STOP (DETENER) para volver al modo Seleccionar ciclo y empezar un nuevo ciclo.
C106: DOOR MODE STOP PRESSED (SE HA PULSADO STOP EN MODO DE PUERTA)	El botón STOP (DETENER) se ha pulsado durante el ciclo.	Pulse el botón STOP (DETENER) para reiniciar.
C232: FILL MODE WATER LOW (BAJO NIVEL DE AGUA EN MODO DE LLENADO)	El nivel de agua del depósito es demasiado bajo.	Rellene el depósito con agua destilada o con agua que cumpla con las especificaciones de pureza de agua indicadas. Espere unos instantes (hasta un minuto). Pulse el botón STOP (DETENER) para volver al modo Seleccionar ciclo y empezar un nuevo ciclo.
	Filtro de llenado/ventilación (en la parte inferior de la cámara) obstruido.	Limpe el filtro de llenado/ventilación. (Consulte "Mantenimiento mensual").
C326: DOOR MODE DOOR CLOSED (PUERTA CERRADA EN MODO DE PUERTA)	El interruptor de seguridad de la puerta todavía está haciendo contacto tras ponerse en marcha el motor de la puerta.	Abra la puerta.
C382: FILL DOOR OPEN (PUERTA ABIERTA EN LLENADO)	El esterilizador ha detectado que los contactos del interruptor de seguridad de la puerta están abiertos.	Cierre la puerta del esterilizador. (El ciclo se reanudará donde se interrumpió)
C383: HEATUP MODE DOOR OPEN (PUERTA ABIERTA EN MODO DE CALENTAMIENTO)	El esterilizador ha detectado que los contactos del interruptor de seguridad de la puerta están abiertos.	Espere un poco (1 minuto) mientras baja la presión / temperatura de la cámara. Presione el botón STOP (DETENER) para seleccionar el modo del ciclo. Inicie un nuevo ciclo.

La tabla continúa en la página siguiente...

Mensajes de error (continuación)

Mensaje	Posible causa	Solución
C384: STERILIZE MODE DOOR OPEN (PUERTA ABIERTA EN MODO DE ESTERILIZACIÓN)	El esterilizador ha detectado que los contactos del interruptor de seguridad de la puerta están abiertos.	Desenchufe el cable de alimentación de la unidad durante 1 minuto y vuelva a enchufarlo. Si el problema persiste llame a un representante de servicio técnico autorizado. (Consulte "Solicitud de servicio técnico")
C533 a C633: STEAM TEMP LOW (TEMP DE VAPOR BAJA) o STEAM TEMP HARDWARE (HARDWARE TEMP DE VAPOR) o PRESSURE LOW (PRESIÓN BAJA)	El esterilizador ha detectado que la temperatura o la presión han superado los límites del funcionamiento normal.	Desenchufe el cable de alimentación de la unidad durante 1 minuto y vuelva a enchufarlo. Si el problema persiste llame a un representante de servicio técnico autorizado. (Consulte "Solicitud de servicio técnico")
C642 A C647 PRESSURE HIGH (PRESIÓN ALTA)	La presión de la cámara está fuera de los límites para un funcionamiento normal.	Espere unos instantes (hasta un minuto) mientras baja la presión / temperatura de la cámara. Presione el botón STOP (DETENER) para seleccionar el modo del ciclo. Inicie un nuevo ciclo.
C660 A C677 PRESSURE HARDWARE (HARDWARE DE PRESIÓN) o PRESSURE OVERLIMIT (PRESIÓN SOBRE EL LÍMITE)	La presión de la cámara está fuera de los límites para un funcionamiento normal.	Desenchufe el cable de alimentación de la unidad durante 1 minuto y vuelva a enchufarlo. Si el problema continúa, comuníquese con un representante de servicio técnico autorizado. (Consulte "Solicitud de servicio técnico")
C980 A C987 HI-LIMIT OPEN (LÍMITE SUP. ABIERTO)	El interruptor de límite superior se ha abierto al menos 1/4 de segundo durante el modo de funcionamiento específico.	Desenchufe el cable de alimentación de la unidad durante 30 minutos y vuelva a enchufarlo. Si el problema persiste llame a un representante de servicio técnico autorizado. (Consulte "Solicitud de servicio técnico")

Solicitud de servicio técnico

Nota

Anote cualquier código que se muestre y asegúrese de enviar esta información al técnico de servicio.

Póngase en contacto con su **distribuidor Midmark autorizado** o inicie sesión en www.midmark.com/technical-library.

Cuando se ponga en contacto con el servicio técnico **se le solicitará información sobre el modelo y el número de serie.**

Para ponerse en contacto directamente con Midmark:
 +1-937-526-3662
 de 8:00 a 17:00 EST (de lunes a viernes)
 (excepto días festivos en Estados Unidos)

Especificaciones

Tabla de especificaciones: M9

Dimensiones físicas:	
Longitud total con enchufe:	51,8 cm (20,38 in)
Ancho total	38,9 cm (15,3 in)
Altura total con impresora	40,1 cm (15,8 in)
Área del contador	38,9 cm x 45,7 cm (15.3 in x 18 in)
Cámara	22,9 cm de diám. x 38 cm de profundidad (9" x 15")
Bandeja estándar, grande	18,6 cm x 30,5 cm x 2,2 cm (7 5/16 in x 12 in x 7/8 in)
Bandeja estándar, pequeña	14,3 cm x 30,5 cm x 2,2 cm (5 5/8 in x 12 in x 7/8 in)
Pesos:	
Peso con depósito vacío	33,1 kg (73 lbs)
Peso con embalaje	36,7 kg (81 lbs)
Capacidad del depósito de agua	4,1 litros (1,1 galones) hasta la marca de lleno el volumen utilizable es de 1,9 litros (0.5 galones)
Clasificación eléctrica:	
<i>Nota: se necesita un circuito independiente (exclusivo) para este esterilizador. El esterilizador no debe conectarse a un circuito eléctrico con otros dispositivos o equipos a menos que el circuito soporte cargas adicionales.</i>	
Modelos de 115 V	115 V AC (+/- 10 %), 12 A, 50/60 Hz
Modelos de 230 V	230 V AC (+/- 10 %), 6,4 A, 50/60 Hz
Clasificación de fusibles:	
115 V AC	F1.....0,25 A, 250 V, fusible de acción lenta, 0,6 x 3,17 cm (1/4" x 1 1/4")
	F2.....15 A, 250 V, fusible de acción rápida, 0,6 x 3,17 cm (1/4" x 1 1/4")
230 V AC	F1.....0,125 A, 250 V, fusible de acción lenta, 5 x 20 mm
	F2.....8 A, 250 V, fusible de acción rápida, 5 x 20 mm
Presión de la cámara a 132 °C (270 °F)	186,2 kPa (27.1 psi)
Configuración de la válvula de seguridad	275,8 kPa (40 psi)
Emisión de calor	1,47 kW (5000 BTU/HR) durante el funcionamiento
Certificaciones	ASME Boiler & Pressure Vessel Code, Sección VIII, División 1. Número de registro canadiense disponible
	UL61010-1, 2ª Edición IEC 61010-2-040, 1ª Edición CAN/CSA C22.2, No. 61010-1, 2ª Edición CSA C22.2, No. 61010-2-040-07 Parte 2-040, - 1ª Edición

Tabla de especificaciones: M11

Dimensiones físicas:	
Longitud total con enchufe:	60,5 cm (23,8 in)
Ancho total	45,2 cm (17,8 in)
Altura total con impresora	45,2 cm (17,8 in)
Área del contador	45,2 cm x 53,3 cm (17,8 in x 21 in)
Cámara	28 cm de diám. x 46 cm de profundidad (11" x 18")
Bandeja estándar, grande	22,9 cm x 38 cm x 2,9 cm (9 in x 15 in x 1 1/8 in)
Bandeja estándar, pequeña	16,8 cm x 38 cm x 2,9 cm (6 5/8 in x 15 in x 1 1/8 in)
Pesos	
Peso con depósito vacío	44,9 kg (99 lbs)
Peso con embalaje	59,4 kg (131 lbs)
Capacidad del depósito de agua	5,3 litros (1,4 galones) hasta la marca de lleno el volumen utilizable es de 3,8 litros (1.0 galones)
Clasificación eléctrica:	
<i>Nota: se necesita un circuito independiente (exclusivo) para este esterilizador. El esterilizador no debe conectarse a un circuito eléctrico con otros dispositivos o equipos a menos que el circuito soporte cargas adicionales.</i>	
Modelos de 115 V	115 V AC (+/- 10 %), 12 A, 50/60 Hz
Modelos de 230 V	230 V AC (+/- 10 %), 6,4 A, 50/60 Hz
Clasificación de fusibles:	
115 V AC	F1.....0,25 A, 250 V, fusible de acción lenta, 0,6 x 3,17 cm (1/4" x 1 1/4")
	F2.....15 A, 250 V, fusible de acción rápida, 0,6 x 3,17 cm (1/4" x 1 1/4")
230 V AC	F1.....0,125 A, 250 V, fusible de acción lenta, 5 x 20 mm
	F2.....8 A, 250 V, fusible de acción rápida, 5 x 20 mm
Presión de la cámara a 132 °C (270 °F)	186,2 kPa (27.1 psi)
Configuración de la válvula de seguridad	275,8 kPa (40 psi)
Emisión de calor	1,47 kW (5000 BTU/HR) durante el funcionamiento
Certificaciones	ASME Boiler & Pressure Vessel Code, Sección VIII, División 1. Número de registro canadiense disponible
	UL61010-1, 2ª Edición IEC 61010-2-040, 1ª Edición CAN/CSA C22.2, No. 61010-1, 2ª Edición CSA C22.2, No. 61010-2-040-07 Parte 2-040, - 1ª Edición

Especificaciones de pureza del agua

Tabla de especificaciones de pureza del agua	
	AAMI ST-46 (ref.)
Residuo de evaporación	≤ 15 mg/l
Sílice	≤ 2 mg/l
Hierro	≤ 0,2 mg/l
Cadmio	≤ 0,005 mg/l
Plomo	≤ 0,05 mg/l
Resto de metales pesados, excluyendo hierro, cadmio y plomo ¹	≤ 0,1 mg/l
Cloruro	≤ 3 mg/l
Fosfato	≤ 0,5 mg/l
Conductividad (a 20°C) ²	≤ 50 µs/cm
pH	6,5 a 8
Apariencia	Incoloro, limpio, sin sedimentos
Dureza	≤ 0,1 mmol/l (0,585 g/gal)

Información sobre la garantía

COBERTURA DE LA GARANTÍA. Midmark Corporation («Midmark») garantiza al comprador minorista original que reparará o reemplazará los componentes de los productos de salud animal fabricados por Midmark (excepto los productos y componentes no garantizados en «Exclusiones») que contengan materiales defectuosos o fallos de mano de obra en condiciones normales de uso y servicio. La responsabilidad única en virtud de esta garantía limitada es a la reparación o la sustitución, a discreción de Midmark, de los productos o componentes aplicables. La garantía limitada solo se aplicará a los defectos que: (i) se notifiquen a Midmark dentro del período de garantía aplicable; y (ii) cuya existencia se llega a determinar tras un examen efectuado por Midmark. Esta garantía limitada se expide únicamente al comprador minorista original de un producto y no es transferible ni asignable.

PERÍODO DE GARANTÍA APLICABLE El período de validez de la garantía de todos los productos y componentes es de un (1) año a partir de la fecha de facturación al comprador minorista original del producto.

OBTENCIÓN DEL SERVICIO DE GARANTÍA El servicio de garantía debe obtenerse a través de un distribuidor de Midmark o un distribuidor autorizado por Midmark en la línea de productos para la que se solicita el servicio de garantía. Puede contactar con Midmark para consultarle dudas o problemas sobre el servicio de garantía por correo electrónico en www.midmark.com, por correo postal a Midmark Corporation, 60 Vista Drive, Versailles, Ohio 45380, o por teléfono al: 1-800-MIDMARK.

Es obligación del comprador minorista organizar la entrega de un producto a Midmark o a uno de sus distribuidores autorizados para el servicio de garantía, la cual correrá a cargo del comprador. También es obligación del comprador minorista cumplir las instrucciones de servicio de garantía proporcionadas, ya sea por Midmark o por su distribuidor autorizado. El comprador minorista debe suministrar a Midmark la información de registro de la garantía completada en un plazo de treinta (30) días después de la compra con el fin de obtener los beneficios de esta garantía limitada.

EXENCIONES Esta garantía limitada no cubre (y Midmark no es responsable de) lo siguiente:

- (1) defectos, daños u otras condiciones causadas, en su totalidad o en parte, por el mal uso, abuso, negligencia, alteración, accidente (incluido cualquier tipo de espectáculos con animales), daños durante el transporte, la manipulación o la incapacidad de solicitar y lograr la reparación o la sustitución dentro del plazo estipulado;
- (2) coincidencia de color, grano o textura, a excepción de las normas comercialmente aceptables;
- (3) cambios en el color causados por la luz natural o artificial;
- (4) productos que no se hayan instalado, utilizado o limpiado y mantenido adecuadamente tal como se indica en los manuales de instalación y funcionamiento del producto aplicable (la instalación de productos para la impresión de imágenes debe ser realizada por un instalador con certificación Midmark);
- (5) productos considerados de naturaleza consumible;
- (6) accesorios o piezas no fabricados por Midmark;
- (7) productos fabricados específicamente;
- (8) facturas de terceros (incluidos los distribuidores autorizados por Midmark) en concepto de ajustes, reparaciones, piezas de recambio, instalaciones o cualquier otra modificación del producto, o relacionada con el mismo, que se hayan realizado sin la autorización previa por escrito de Midmark;
- (9) costes y gastos de mantenimiento y limpieza rutinarios;
- (10) fregaderos, grifos y accesorios de fontanería;
- (11) declaraciones y garantías hechas por cualquier persona o entidad que no sea Midmark; y
- (12) software o componente del mismo que no tenga errores, pueda utilizarse sin problemas ni interrupciones o no sea vulnerable a la intrusión o al ataque de virus u otros métodos.

RESPONSABILIDAD EXCLUSIVA; DAÑOS EMERGENTES La única responsabilidad de Midmark en virtud de la presente garantía limitada es la de reparar o sustituir las piezas defectuosas. Midmark no se hace responsable, y por la presente, renuncia a cualesquiera daños directos, especiales, indirectos, accidentales, ejemplares, consecuentes o demoras, incluidos, sin limitación, daños por pérdida de ganancias o ingresos, pérdida de uso, tiempo muerto, cobertura y salarios de empleados o de contratistas independientes, pagos y beneficios. La presente exención de responsabilidad será válida aun en caso de incumplimiento o incumplimiento alegado del objetivo principal de esta garantía limitada o de sus responsabilidades especificadas en el presente documento.

NO AUTORIZACIÓN Midmark no autoriza a ninguna persona ni empresa a imponer ni aprobar ninguna otra obligación ni responsabilidad en relación con los productos Midmark.

EXENCIÓN DE RESPONSABILIDAD DE GARANTÍA: ESTA ES LA GARANTÍA LIMITADA DE MIDMARK Y SUSTITUYE A CUALQUIER OTRA GARANTÍA, EXPLÍCITA O IMPLÍCITA. MIDMARK NO OFRECE GARANTÍAS IMPLÍCITAS DE NINGÚN TIPO, INCLUIDAS LAS IMPLÍCITAS DE COMERCIABILIDAD O IDONEIDAD PARA UN PROPÓSITO DETERMINADO.

ESTATUTO DE LIMITACIONES No podrá interponerse ninguna acción contra Midmark por incumplimiento de esta garantía limitada, de una garantía implícita, si las hubiere, o por cualquier otra reclamación que surja de o en relación con los productos, después de más de noventa (90) días una vez vencido el período de garantía. En el caso de que existan múltiples períodos de garantía con respecto a un producto, el período de noventa (90) días previsto en el presente documento comenzará a transcurrir a partir del vencimiento del período de garantía para el componente al que se refiere la reclamación.

SEPARABILIDAD Si cualquiera de las disposiciones de la presente garantía limitada se determinara no válida o inaplicable: (i) la disposición seguirá aplicándose de la forma más fiel a su propósito, al mismo tiempo que se repara la invalidez e inaplicabilidad, y (ii) el contenido restante de esta garantía limitada, considerada separadamente, no se verá afectado si la disposición no válida o inaplicable no pudiera aplicarse en modo alguno.

Notas:

Midmark Corporation

60 Vista Drive

Versailles, OH 45380 EE. UU.

1-800-643-6275

+1-937-526-3662



Because we care.



M9/M11

Stérilisateur à vapeur autonome

[English](#)

[Español](#)

[Français](#)

Pour les modèles :

M9 (-033 / -034)

M11 (-033 / -034)



Guide de l'utilisateur

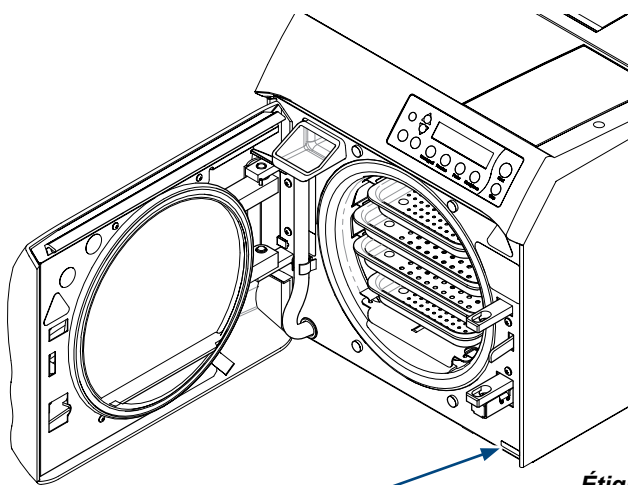
Informations sur le produit

Distributeur :

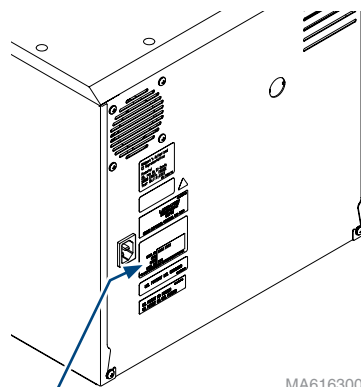
Date d'acquisition :

Numéro de modèle/de série :

**Société de service
après-vente agréée :**



Numéro de série



**Étiquette du numéro
de modèle/de série**

MA616300i

Table des matières

Renseignements importants

Consignes de sécurité	4
Utilisation prévue	4
Interférences électromagnétiques.....	4
Symboles de sécurité.....	4
Symboles d'expédition.....	5
Transport et conditions de stockage	5
Accessoires.....	5
Livrés avec le stérilisateur.....	6
Emplacement des composants.....	7
Commandes et indicateurs.....	8
Consignes de surveillance de la stérilisation .	10

Installation

Environnement d'utilisation.....	11
Exigences relatives à l'emplacement.....	11
Alimentation électrique.....	12
Branchement du cordon d'alimentation	13

Fonctionnement

Avant d'utiliser le stérilisateur.....	14
Remplissage du réservoir.....	14
Essai de qualification	15
Directives concernant le chargement.....	15
Paramètres de cycle	19
Fonctionnement de cycle.....	20
Procédure post-stérilisation	23
Déchargement des cassettes et des plateaux chauds	24
Boutons de cycles programmables.....	26

Entretien

Messages d'entretien.....	28
Entretien quotidien.....	29
Entretien hebdomadaire.....	30
Entretien mensuel.....	32
Entretien après une utilisation prolongée.....	34

Imprimante (en option)

Utilisation de l'imprimante.....	35
Message de mise sous tension.....	35
Description de la bande d'impression.....	35
Exemple d'impression typique d'un cycle de programme.....	36
Remplacement de la cartouche de ruban de l'imprimante.....	37
Retrait du rouleau de papier	37
Pose du rouleau de papier.....	38

Dépannage

Tableau de dépannage	39
Messages d'information.....	40
Messages d'erreur.....	40
Service après-vente.....	42

Caractéristiques techniques

M9.....	43
M11	44
Spécifications de pureté de l'eau.....	45

Renseignements sur la garantie

Limitation de garantie.....	46
-----------------------------	----

Renseignements importants

Consignes de sécurité

Le premier souci de Midmark est l'utilisation et l'entretien de cet équipement dans le respect de la sécurité du patient et du personnel. Pour garantir un fonctionnement sûr et fiable :

- Lisez et vérifiez que vous avez compris ce manuel avant d'installer ou d'utiliser le stérilisateur.
- Assurez-vous que le personnel concerné est informé du contenu de ce manuel. (Cela relève de la responsabilité de l'acheteur).
- Veillez à ranger ce manuel près du stérilisateur, ou si possible, à le coller au stérilisateur.

Utilisation prévue

Le stérilisateur autoclave M9/M11 peut être utilisé dans les cabinets vétérinaires, les hôpitaux, les cliniques, les laboratoires et autres établissements pour stériliser les instruments réutilisables stables à la chaleur et l'humidité (y compris les instruments dentaires) compatibles avec la stérilisation à la vapeur. Reportez-vous aux sections « **Chargement des plateaux** » et « **Paramètres de cycle standard** » de ce manuel pour plus d'informations.

Interférences électromagnétiques

Ce stérilisateur est conçu et fabriqué pour minimiser les interférences électromagnétiques avec d'autres appareils. Cependant, en cas d'interférences entre un autre appareil et ce produit :

- Retirez de la pièce l'appareil qui crée les interférences
- Branchez le stérilisateur sur un circuit dédié
- Imposez une distance entre le stérilisateur et l'appareil qui crée les interférences
- Contactez Midmark si les interférences persistent

Symboles de sécurité



DANGER

Signale un danger imminent qui entraînera des blessures graves, voire mortelles. Ce symbole n'est utilisé que pour les cas extrêmes.



AVERTISSEMENT

Signale un danger potentiel qui pourrait entraîner des blessures graves.



Attention

Signale un danger potentiel qui risque d'entraîner des blessures modérées ou mineures. Il peut également servir à signaler à l'utilisateur des pratiques dangereuses.



Avertissement concernant l'équipement

Signale un danger potentiel qui pourrait endommager l'équipement.

Symboles d'expédition



Attention aux dommages
lors du transport



Orientation correcte pour transport



Fragile



Conserver au sec



Hauteur d'empilage maximale
(Reportez-vous au nombre « n »
sur l'emballage)

Transport et conditions de stockage



Avertissement concernant l'équipement

L'eau doit être drainée du réservoir de l'appareil avant le transport ou le stockage à moins de 0 °C (+32 °F).

Plage de températures ambiantes :	De -30 °C à +60 °C (de -22 °F à 140 °F)
Humidité relative :	10 à 90 % (sans condensation)
Pression atmosphérique :	49,6 kPa à 106,4 kPa (7,2 à 15,4 psi abs.)

Accessoires

Sauf indication contraire, l'accessoire peut être utilisé sur les modèles M9 et M11.

Nom de l'accessoire	Numéro de commande
Speed-Clean, 1 flacon [0,47 litres (16 oz.)]	002-0396-00
Speed-Clean, 1 carton de flacons [0,47 litres (12 - 16 oz.)]	002-0396-05
Imprimante	9A259001
Kit de recharge d'imprimante (comprenant 1 cartouche et 1 rouleau de papier)	002-0371-00
Support de cassette (horizontal)	9A215001 (M11 uniquement)
Support de cassette (vertical)	9A215002 (M11 uniquement)
Support de sachets	9A226001
Poignée pour cassette/plateau	9A307001

Livrés avec le stérilisateur

Speed-Clean



Carnet d'entretien/d'utilisation

MIDMARK Caring for your M9 / M11 sterilizer...

Weekly Maintenance

Door Gasket

Drain Tube

Drain Gasket

Tray Rack

Tray Pile
(Maximum of 6 trays per stack from front of treatment)

Clean External Surfaces & Gaskets

Caution: To prevent burns, allow unit to cool before cleaning joints and external surfaces.

- Wipe external surfaces & gaskets with a soft damp cloth and mild soap / detergent.
- Gaskets also prone to damage.

Clean Internal Surfaces

Equipment Alert: Failure to change water may result in sterilizer malfunction.

- Draw water from the reservoir using drain.
- Clean the foot of drain, and inside of chamber with mild soap or Speed-Clean and distilled water.
- Refrigerator with clean, distilled water.

Monthly Maintenance

Air Filter Screen

P/U Vent Filter Screen

Chamber Drain and Seal Filter Screen

WARNING: Do not process instruments while flushing system.

Equipment Alert: Failure to flush system with Speed-Clean or use of other reactor chemicals, may result in the temperature failure of sterilization processes.

Flush System

- With a closed chamber, drain reservoir and fill with clean, distilled water. Add one ounce of Speed-Clean.
- Reactor reactor slowly in the bottom of chamber.
- Press **Stop** button when **Cy-Cycle** begins.
- Draw reservoir and with clean, distilled water.
- Rinse by running one **Unwrap** cycle.
- Draw and add reservoir with clean, distilled water. Then allow sterilizer to cool.

Clean Filter Screens (P/U - vent, and air)

Equipment Alert: Do not operate reactor without filter in place.

- Allow sterilizer to cool. Then remove trays / rack / plate.
- Order to the chamber for routine or filter cleaning.
- Put **Final Filter** to replace (Use plate if necessary).
- Clean filter with Speed-Clean and distilled water.
- Reinsert filter / plate cover (be removed by cleaning).
- Rinse filter with distilled water.
- Install filter / plate cover (be removed by cleaning).
- Install tray, plate, rack and trays.

Check Pressure Relief Valve

Remove: Clean inspect gaskets

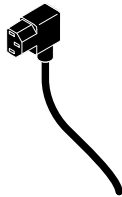
** Refer to the Installation / Operation Manual for complete list of maintenance procedures*

Fiche de données de sécurité du Speed-Clean

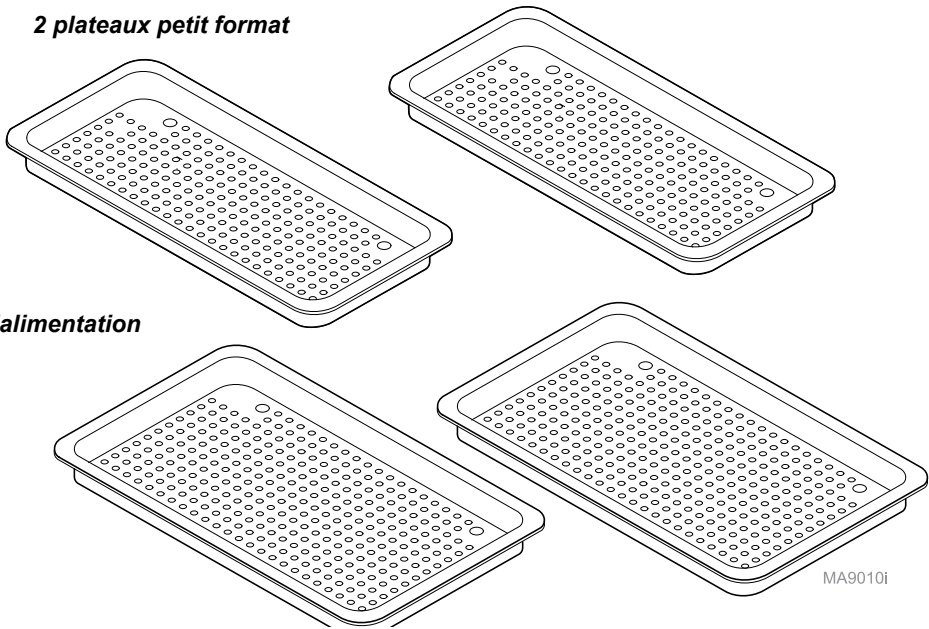
<p>Midmark Corporation</p> <p style="text-align: right;">075403540 Rev. P Data Created: June 2007 Revised February 2015 Page 1 of 6</p>	
<p>SAFETY DATA SHEET</p>	
<p>Section 1: Identification</p> <p>1.1. Product Identifier Speed-Clean</p> <p>1.2. Recommended Use and Restrictions on Use Sterilizer Cleaner</p> <p>1.3. Supplier's Details Developed For: Midmark Corporation Address: 60 Vista Drive, P.O. Box 296, Versailles, OH 43380-0296, USA Telephone: 1-800-MIDMARK</p> <p>1.4. Emergency Telephone Number: (937) 526-6498</p>	
<p>Section 2: Hazard Identification</p> <p>2.1. Hazard Classification Skin Irritation: Category 2 Eye Irritation: Category 2A</p> <p>2.2. Label Elements Signal Word Warning</p> <p>Symbols Exclamation Mark</p> <p>GHS07</p> <p>Hazard Statements P303+361: In case of contact with skin, wash thoroughly with plenty of water. P305+351+338: In case of contact with eyes, rinse abundantly with plenty of water for at least 15 minutes, removing contact lenses, if available and if it does not cause further injury.</p> <p>Precautionary Statements P201: Pay attention. P273: Avoid release into the environment. P501: Dispose of contents and container as instructed.</p> <p>Response If IN EYES: Immediately flush eyes with water for 15 minutes, intermittently lifting the lower and upper eyelids. If ON SKIN: Flush skin with running water for 15 minutes.</p> <p>2.3. Hazard Not Otherwise Classified None</p>	

2 plateaux grand format

2 plateaux petit format

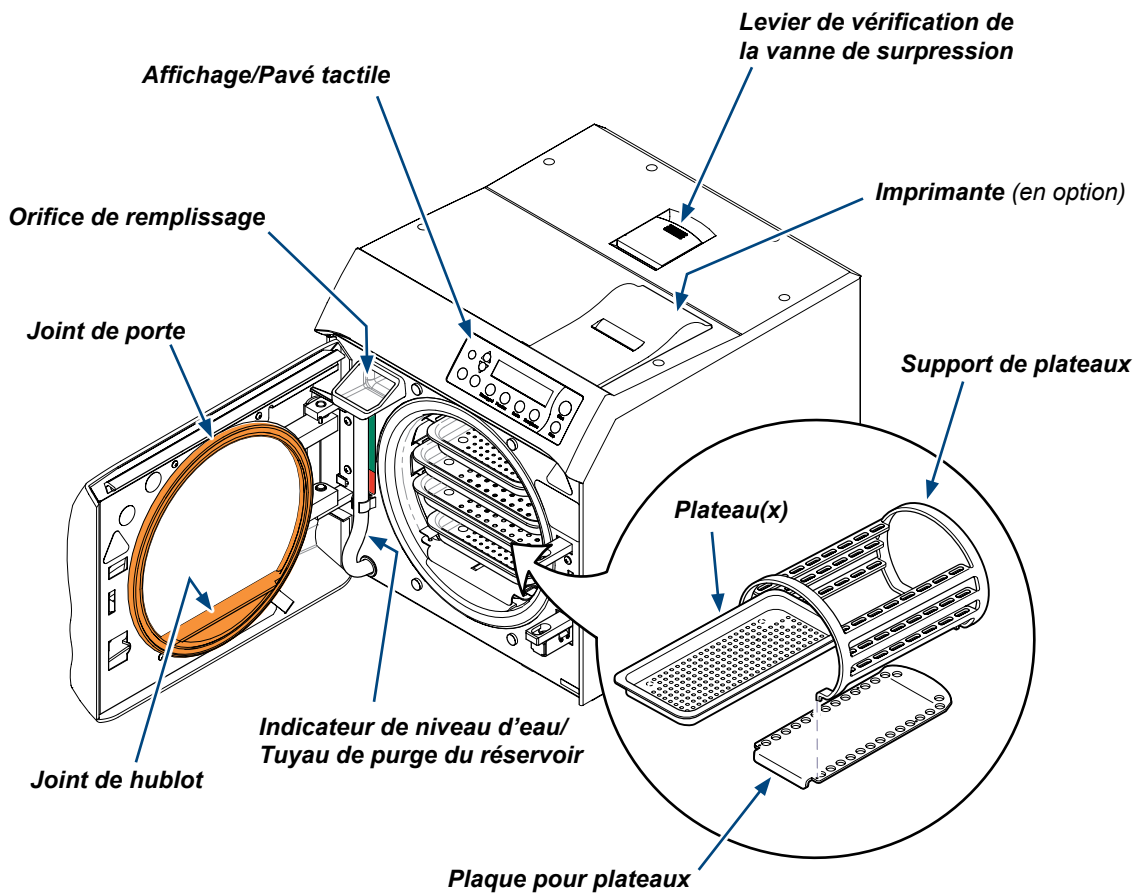


Cordon d'alimentation



MA90101

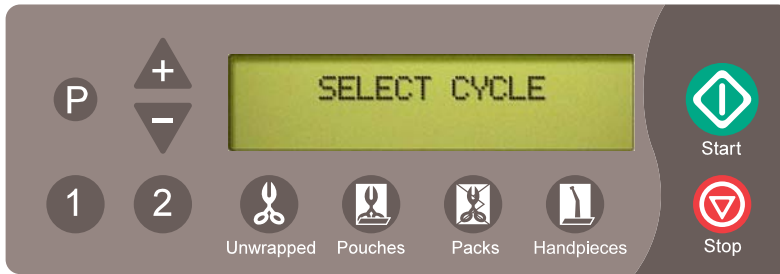
Emplacement des composants



SA1775i

Commandes et indicateurs

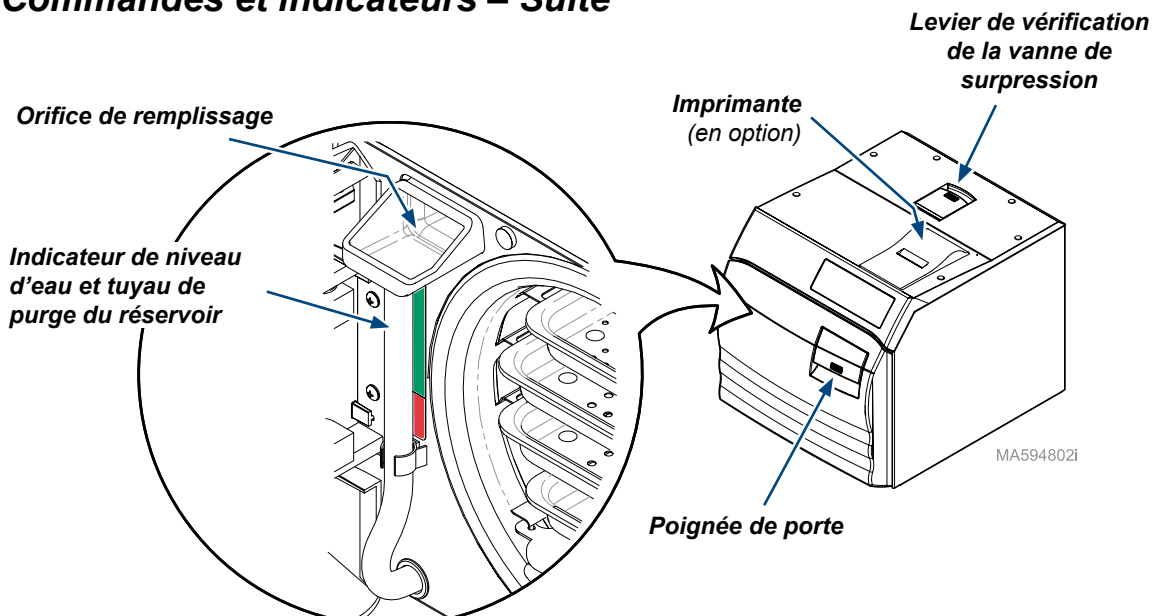
Les commandes et les indicateurs du stérilisateur sont illustrés sur cette page et la page suivante. Les tableaux joints décrivent la fonction de chaque commande/indicateur.






MA594801i

Commande		Fonction
Affichage	Voir illustration	Indique le cycle sélectionné, la température du cycle et le temps d'exposition correspondant au cycle sélectionné. Pendant le cycle, il affiche des messages relatifs à l'état du cycle. Lorsque le cycle entre en mode de stérilisation, le temps restant s'affiche ainsi que la température et la pression. L'écran affiche également un message d'erreur en cas de dysfonctionnement. Reportez-vous à la section <i>Dépannage</i> de ce manuel pour une explication détaillée des <i>Messages d'information/d'erreur</i> .
Bouton Unwrapped (Non emballés)		Cycle destiné à traiter les instruments non emballés à 132 °C (270 °F) pendant 3 minutes/cycle de séchage de 30 minutes.
Bouton Pouches (Sachets)		Cycle destiné à traiter les instruments en combinaison papier/sachets de stérilisation en plastique ou instruments emballés à 132 °C (270 °F) pendant 5 minutes/cycle de séchage de 30 minutes.
Bouton Packs (Paquets)		Cycle destiné à traiter les paquets d'instruments ou des textiles à 121 °C (250 °F) pendant 30 minutes/cycle de séchage de 30 minutes.
Bouton Handpieces (Pièces à main)		Cycle destiné aux pièces à main dentaires qui tourne à : 132 °C (270 °F) pendant 6 minutes/cycle de séchage de 30 minutes.
Bouton Start (Démarrer)		Lance le programme sélectionné ; en outre, lorsque l'écran affiche SELECT CYCLE (SÉLECTIONNER CYCLE) , le bouton Start (Démarrer) lance le chauffage pendant 10 minutes.
Bouton Stop (Arrêt)		Met fin à un programme ou à une fonction déterminé(e).
Boutons 1 ou 2 REMARQUE : l'utilisateur doit valider tout le matériel soumis à ces cycles pour la stérilisation.		Boutons de cycles programmables qui permettent à l'utilisateur de créer deux cycles différents pour des applications particulières. Le temps et la température de stérilisation, ainsi que le temps de séchage et la ventilation peuvent être réglés ou modifiés.

Commandes et indicateurs – Suite



Commande		Fonction
Bouton P		Bouton de mode de programmation qui permet à l'opérateur de modifier la température, la durée, la durée de séchage ou la ventilation. À utiliser avec les boutons 1 ou 2. (Voir Mode de programmation).
Bouton + (plus)		Permet d'augmenter la température, la durée ou le temps de séchage, ou bien de passer à la Ventilation en Mode rapide lorsque le mode P (programmation) et le bouton 1 ou 2 sont activés.
Bouton - (moins)		Permet de diminuer la température, la durée ou le temps de séchage, ou bien de passer à la Ventilation en Mode lent lorsque le mode P (programmation) et le bouton 1 ou 2 sont activés.
Poignée de porte	Voir illustration	Pour verrouiller/ouvrir la porte.
Indicateur de niveau d'eau / Tuyau de purge du réservoir	Voir illustration	Indique la quantité d'eau dans le réservoir. Tuyau également utilisé pour la purge du réservoir dans un récipient adapté.
Orifice de remplissage	Voir illustration	Accès pour remplir le réservoir d'eau.
Levier de vérification de la vanne de surpression	Voir illustration	Permet à l'utilisateur de contrôler la vanne de surpression.
Imprimante (en option)	Voir illustration	L'imprimante (équipement en option) peut être utilisée pour conserver une trace de la durée, de la température et de la pression pendant un cycle.

Consignes de surveillance de la stérilisation

Remarque

Les informations ci-après sont uniquement données à titre de référence. Veuillez contacter l'agence locale/nationale adaptée pour les directives de stérilisation propres à votre activité. De plus amples informations sur la prévention des infections sont disponibles auprès des centres de contrôle et de prévention des maladies (CDC), de l'Organisation pour les procédures de sécurité et d'asepsie (OSAP), et de l'Association pour l'avancement de l'instrumentation médicale (AAMI).

Moniteurs physiques: dispositifs de mesure de la température et de la pression pouvant aider à détecter les dysfonctionnements du stérilisateur. Le système de contrôle du stérilisateur annule le cycle et affiche un message si les conditions physiques dépassent les limites établies. L'imprimante en option peut être utilisée pour créer un compte-rendu de la durée de cycle, de la température et de la pression réelles de chaque lot.

Remarque

Seuls les indicateurs chimiques et biologiques autorisés par la FDA et destinés à la stérilisation à la vapeur sont compatibles avec la température et le temps d'exposition particuliers du cycle de stérilisation à contrôler. Utilisez des moniteurs de stérilité avec chaque lot de stérilisation. Si un cycle de stérilisation est arrêté prématurément, traitez de nouveau les instruments en vue de garantir la stérilité du lot. Veuillez suivre les instructions du fabricant pour une élimination adaptée des indicateurs utilisés.

Indicateurs chimiques

Les indicateurs chimiques sont destinés à vérifier que les conditions dans la cuve sont adaptées pour la stérilisation souhaitée. Ils ne confirment cependant pas qu'un instrument traité est stérile. Si un indicateur chimique indique un échec, les instruments de ce lot sont considérés comme non stériles. Causes possibles d'échec de la stérilisation: mauvais nettoyage, emballage, chargement, ou dysfonctionnement du stérilisateur. Les indicateurs déterminent l'origine de l'échec de la stérilisation et les solutions pour y remédier avant le lancement du cycle suivant. Seuls les indicateurs chimiques autorisés par la FDA et étiquetés pour une utilisation avec les paramètres de stérilisation à la vapeur non traditionnels (par exemple, la température et la durée d'exposition) des stérilisateurs M9/M11 doivent être employés pour le contrôle des cycles. Prière de suivre les instructions relatives aux indicateurs chimiques pour un stockage, une utilisation, une interprétation et une élimination appropriés.

Indicateurs biologiques

Les indicateurs biologiques sont des dispositifs de microbiologie destinés à être associés aux instruments devant être stérilisés en vue de contrôler le caractère approprié de la stérilisation. Si un moniteur biologique indique un échec, les instruments de ce lot sont considérés comme non stériles. Causes possibles d'échec de la stérilisation : mauvais nettoyage, emballage, chargement, ou dysfonctionnement du stérilisateur. Les indicateurs déterminent l'origine de l'échec de la stérilisation et les solutions pour y remédier avant le lancement du cycle suivant. Seuls les indicateurs biologiques autorisés par la FDA et étiquetés pour une utilisation avec les paramètres de stérilisation à la vapeur non traditionnels (par exemple, la température et la durée d'exposition) des stérilisateurs M9/M11 doivent être employés pour le contrôle des cycles. Prière de suivre les instructions relatives aux indicateurs biologiques pour un stockage, une utilisation, une interprétation et une élimination appropriés.

Installation

Environnement d'utilisation



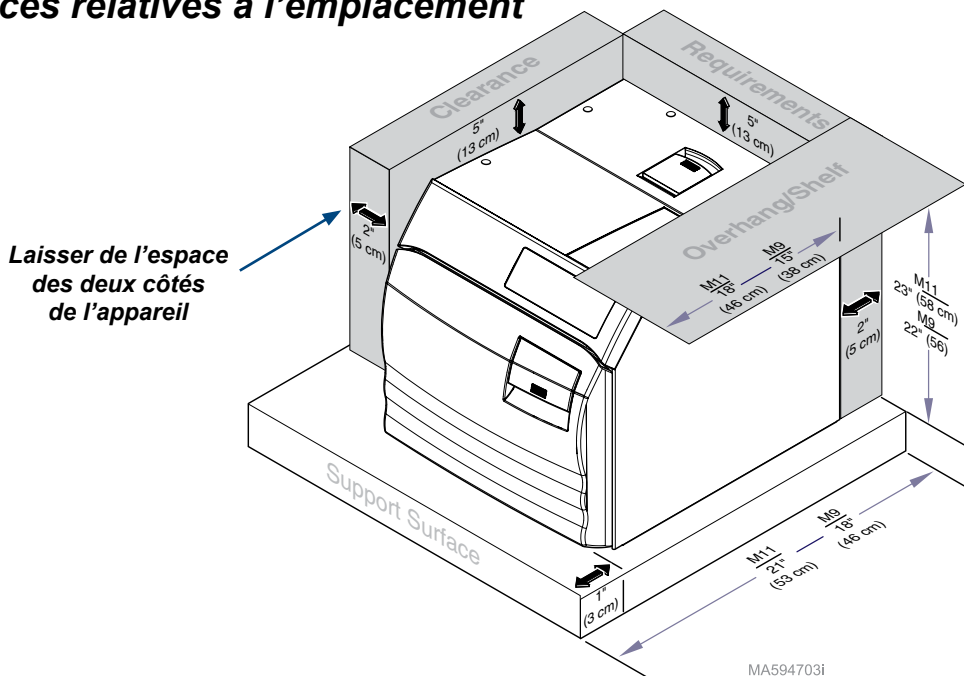
Avertissement concernant l'équipement

Laissez l'appareil atteindre la température ambiante avant de l'utiliser.

Tout manquement à cette recommandation peut endommager le stérilisateur.

Plage de températures ambiantes :	De +20 °C à +40 °C (de 68 °F à 104 °F)
Humidité relative :	< 80 % (sans condensation) (Degré 2 de pollution, conformément à la norme CEI 664)
Altitude normale d'utilisation :	< 3 000 m (9 842 pi) au-dessus du niveau de la mer
Dispositif approuvé pour une UTILISATION À L'INTÉRIEUR UNIQUEMENT.	
Dispositif destiné à être utilisé dans un environnement relativement exempt de poussière. (Degré 2 de pollution, conformément à la norme CEI 664)	
Le dispositif doit être relié à une source d'alimentation dont les limites de surtension sont inférieures à 1 500 watts à la terre. (Catégorie d'installation II, conformément à la norme CEI 664)	
Les modèles M9 et M11 émettent 5 000 BTU/h en fonctionnement.	

Exigences relatives à l'emplacement



Installation

Exigences relatives à l'emplacement – suite

Surface support

- Le matériau doit être résistant à l'eau. (Par exemple, revêtement stratifié, acier inoxydable, pierre, etc.)
- La surface doit être plane afin de garantir le niveau approprié de l'eau au remplissage de la cuve. Un niveau inadéquat d'eau dans la cuve peut entraîner un dysfonctionnement du stérilisateur.
- Les dimensions minimales de la surface doivent être les suivantes :

Dimensions

Profondeur (de l'avant à l'arrière) **M11** – 53 cm (21 po) **M9** – 46 cm (18 po)

Exigences d'encombrement

Pour assurer une bonne circulation de l'air, et pour permettre l'accès à l'orifice de remplissage au raccord de purge du réservoir, respectez le dégagement minimal requis comme indiqué ci-dessous. Si le stérilisateur doit être utilisé en cycles continus, placez l'appareil de façon à ce que la vapeur ne puisse endommager les matériaux ou les équipements dans les environs.

Arrière de l'appareil – mur arrière.....5 cm (2 po)

Rebord avant de la surface de support – face avant du stérilisateur : ...3 cm (1 po)

Côtés de l'appareil – mur latéral.....5 cm (2 po)

Dégagement au-dessus de l'appareil pour l'accès à l'imprimante.....13 cm (5 po)

Plafond de l'armoire/étagère en surplomb **M11**46 cm (18 po) **M9** – 38 cm (15 po)

Dessous de l'armoire de l'étagère **M11**58 cm (23 po) **M9** – 56 cm (22 po)

Exigences de repositionnement du stérilisateur

Débranchez le cordon d'alimentation de la prise et laissez le stérilisateur refroidir.

Vidangez l'eau du réservoir – ne basculez pas le stérilisateur, pour permettre à l'eau de se déverser.

Alimentation électrique



AVERTISSEMENT

Pour les modèles 115 VAC : utilisez uniquement un courant alternatif 104-127 VAC, 50/60 Hz.

Pour les modèles 230 VAC : utilisez uniquement un courant alternatif 207-253 VAC, 50/60 Hz.

Le non-respect de ces indications présente un risque d'électrocution au personnel et d'endommagement au stérilisateur.

Remarque

Pour votre sécurité, l'appareil doit être relié à une prise correctement mise à la terre et polarisée. Veillez à toujours utiliser un cordon d'alimentation dont les raccordements de terre correspondent aux prises propres à la situation géographique.

Appareil 115 VAC :

115 VAC, 50/60 Hz, 12 A

Circuit d'alimentation dédié*: 120 VAC, 50/60 Hz, 15 A

Consommation électrique max.: 1 425 watts

Appareil 230 VAC :

230 VAC, 50/60 Hz, 6,5 A

Circuit d'alimentation dédié : 230 VAC, 50/60 Hz, 10 A

Consommation électrique max. : 1500 watts

* La source d'alimentation doit avoir des limites de surtension inférieures à 1 500 watts à la terre.

(Catégorie d'installation II, conformément à la norme CEI 664)

Branchement du cordon d'alimentation



AVERTISSEMENT

Ce matériel ne doit pas être utilisé en présence d'un mélange anesthésique inflammable à l'oxygène, à l'air ou au protoxyde d'azote.

Clarification : ce matériel convient à l'utilisation en présence d'oxygène, d'air ou de protoxyde d'azote.



AVERTISSEMENT

Reportez-vous à l'étiquette portant le numéro de série située à l'arrière du stérilisateur pour vérifier la tension nominale de l'appareil. Le fait de ne pas brancher le stérilisateur à une source d'alimentation adéquate peut endommager l'appareil et présente un risque d'électrocution pour le personnel.



Avertissement concernant l'équipement

Pour une performance optimale du stérilisateur, laissez-le atteindre la température ambiante avant de l'utiliser.

Pour brancher le cordon d'alimentation...

- A) Branchez le cordon d'alimentation dans la prise à l'arrière du stérilisateur.
- B) Branchez le cordon d'alimentation dans une prise correctement mise à la terre et polarisée, d'une intensité minimale de 15 ampères. Il est recommandé d'utiliser un circuit dédié uniquement pour ce stérilisateur.

Remarque : Lorsque l'appareil est alimenté, les messages ci-après apparaîtront sur l'écran d'affichage.

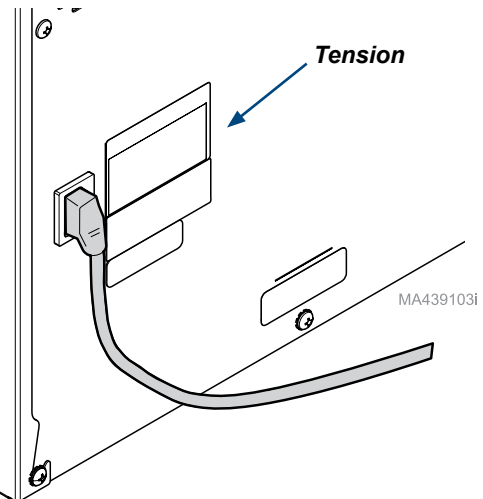
Écran:

INITIALIZING
SYSTEM

*

TOTAL CYCLES XXXX
M9, vXX.XX

SELECT CYCLE



* Le nombre total de cycles effectués par l'appareil, le numéro du modèle (M9 ou M11) et la version du logiciel s'afficheront à l'écran.

Fonctionnement

Avant d'utiliser le stérilisateur...



AVERTISSEMENT

N'utilisez pas ce stérilisateur pour stériliser des substances volatiles ou à d'autres fins que celles prévues. Ceci peut entraîner des brûlures, ou bien des conditions toxiques ou explosives.

Ne forcez jamais la poignée de la porte. La pression de la cuve peut provoquer une ouverture brusque de la porte. Si la poignée de la porte ne bouge pas bien, laissez l'appareil refroidir et dépressuriser pendant 40 minutes avant d'ouvrir la porte. Tout manquement à cette recommandation peut entraîner des blessures graves.

N'utilisez pas le stérilisateur si la plaque pour plateaux n'est pas en place. En cas de dysfonctionnement du stérilisateur, débranchez-le immédiatement et contactez le service après-vente ; ne tentez pas de réparer le stérilisateur vous-même. Ceci peut entraîner des blessures graves.



Attention

Les cycles programmables 1 et 2 sont fournis pour les applications nécessitant des paramètres de stérilisation différents des cycles prééglés. Tout le matériel traité dans ces cycles doit être validé par l'utilisateur pour garantir la stérilité du lot traité.



Avertissement concernant l'équipement

Pour une performance optimale du stérilisateur, laissez-le atteindre la température ambiante avant de l'utiliser.

Remplissage du réservoir

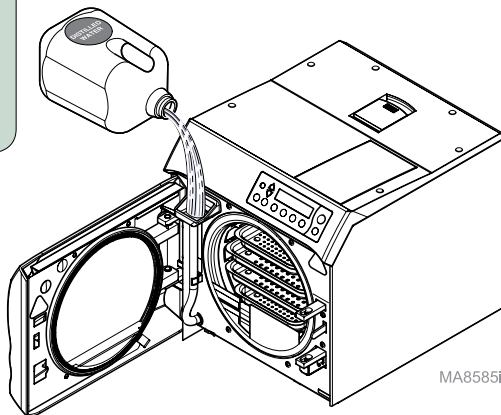
Pour remplir le réservoir...

- A) Ouvrez la porte de l'appareil.
- B) Versez de l'eau distillée dans l'orifice de remplissage jusqu'à ce que le niveau d'eau du tuyau indicateur de niveau atteigne le haut de la marque de remplissage.



Avertissement concernant l'équipement

Utilisez de l'eau distillée ou de l'eau répondant aux spécifications de pureté de l'eau référencées. Tout manquement à cette recommandation peut entraîner un dysfonctionnement du stérilisateur ou une défaillance prématurée en raison de la corrosion excessive.



Essai de qualification

Vous devez procéder à un test de votre stérilisateur après l'un des événements suivants : installation de l'appareil, dysfonctionnement, repositionnement, réparations majeures, échec du processus de stérilisation. L'essai de qualification doit être effectué avant la mise en service du stérilisateur. Si plusieurs types de cycles sont utilisés, par exemple, « Pouches » (Sachets) et « Packs » (Paquets), chaque cycle doit passer l'essai de qualification. L'essai de qualification doit comprendre au moins un indicateur biologique (IB) (parfois appelé test de spores) et un indicateur chimique (IC). Le test doit se faire avec des instruments couramment traités et considérés les plus difficiles à stériliser. D'autres instruments doivent être placés dans la cuve avec l'indicateur biologique et l'indicateur chimique, de sorte que la cuve soit complètement chargée (ne dépassez pas les capacités maximales mentionnées dans les « Directives concernant le chargement » du présent manuel). Trois essais consécutifs (pour chaque cycle testé), avec les résultats négatifs des indicateurs biologiques et les mesures appropriées de tous les moniteurs physiques et les indicateurs chimiques prouvant la stérilisation complète, fournissent la preuve que le stérilisateur est bien installé (ou réinstallé après un déplacement) ou réparé conformément aux spécifications du fabricant et qu'il fonctionnera efficacement dans l'installation où il se trouve. Tous les instruments traités lors de l'essai de qualification doivent être mis en quarantaine jusqu'à ce que les résultats de l'essai biologique pour les trois tests effectués soient disponibles.

Directives concernant le chargement

Types d'instruments

Avant de placer tout instrument dans le stérilisateur M9 ou M11, assurez-vous auprès du fabricant dudit instrument que la stérilisation à la vapeur convient pour le matériau et vérifiez l'adéquation des paramètres de stérilisation. Les modèles M9 et M11 sont conçus pour stériliser le matériel suivant :

- Instruments en métal
- Instruments en caoutchouc/plastique (*par ex., tubes d'aspiration, porte-empreintes, etc.*)
- Emballage/regroupement des instruments (*par ex., bande de centrale de distribution des fournitures médicales, pochettes d'instruments, etc.*)
- Cassettes (qui sont insérés dans les plateaux du stérilisateur ou les accessoires du support de cassette)
- Pièces à main à grande/faible vitesse
- Instruments chirurgicaux (*par ex., instruments ophtalmologiques*)



Avertissement concernant l'équipement

Ne stérilisez pas d'instruments qui se composent d'un des matériaux suivants dans les modèles M9 et M11 :

- Métaux sujets à la corrosion (*p. ex., acier non allié, fer, etc.*)
- Instruments fragiles susceptibles de se casser sous la pression/haute température
- Déchets biomédicaux
- Plastiques qui peuvent se casser ou produire des résidus sous la pression/haute température.

Exemples

Polyéthylène, styrène, celluloses, ABS, PVC, acrylique (Plexiglas™), PPO (Noryl™), latex, et néoprène

Directives concernant le chargement – suite

Principes généraux



Attention

Nettoyez et séchez soigneusement les instruments avant de les placer dans le stérilisateur. Un mauvais nettoyage peut entraîner la non-stérilisation des instruments et endommager l'appareil. Veuillez suivre les instructions du fabricant d'instruments et les recommandations réglementaires en matière de manipulation et de nettoyage des instruments avant la stérilisation.

- Placez tous les récipients de façon à ce que l'orifice laisse la vapeur entrer et l'air et les condensats s'écouler du récipient.
- Utilisez uniquement des plateaux M9 ou M11 dans le stérilisateur approprié. L'utilisation d'autres plateaux peut limiter le débit d'air/de vapeur sur les instruments.
- Stérilisez les instruments articulés en position ouverte.
- Les pièces à main et les instruments doivent être isolés (pas superposés ou entassés) pour permettre un flux adéquat de la vapeur et sa pénétration dans les instruments.

Stérilisation pour utilisation immédiate

Les stérilisateurs M9 et M11 ont une fonction de stérilisation pour *utilisation immédiate* – stérilisation d'instruments non emballés pour une utilisation immédiate. Il convient de disposer un chiffon ou du papier absorbant sur le bas du plateau avant d'y déposer les instruments non emballés. Veuillez prendre en considération les éléments suivants lorsque vous choisissez de stériliser ou non les instruments non emballés :

- La stérilité des instruments non emballés est compromise en cas d'exposition à un environnement non stérile. Veuillez suivre les directives réglementaires pour l'utilisation d'instruments non emballés stérilisés.
- Au vu du caractère sensible de certaines chirurgies (notamment ophtalmologiques), les instruments utilisés lors de telles procédures doivent être emballés afin de réduire leur exposition aux résidus du traitement de la stérilisation. Le réservoir d'eau doit être purgé et rempli quotidiennement avec de l'eau distillée lors du traitement des instruments pour ce type de procédures, sur une base régulière.

Emballage des instruments

Les modèles M9 et M11 peuvent stériliser les instruments emballés afin de conserver leur stérilité après le traitement.

- Lors de l'emballage des instruments, il convient d'utiliser uniquement les sachets pour stérilisateur qui ont été approuvés par la FDA et étiquetés pour une utilisation avec le cycle de stérilisation à la vapeur sélectionné. Prière de suivre les instructions d'utilisation du fabricant.
- Lors de l'utilisation de cassettes dans le modèle M9/M11, prière de suivre les instructions d'utilisation du fabricant.
- Ne serrez pas trop l'emballage des instruments. La stérilisation peut être compromise si un instrument est trop emballé.
- Les sachets doivent légèrement se chevaucher et peuvent être empilés, mais les pièces à main et les instruments doivent être isolés (pas superposés ou entassés) pour permettre un flux adéquat de la vapeur et sa pénétration dans les instruments.
- Il est préférable d'orienter les sachets pour qu'ils reposent sur leur tranche, le mieux étant d'utiliser le support de sachets Midmark. En cas d'utilisation du plateau standard, les sachets doivent être disposés de sorte que le côté papier soit vers le bas.

Directives concernant le chargement – suite

Emballage des plateaux



Avertissement concernant l'équipement

N'utilisez pas de chiffons ou d'emballages contenant des résidus d'eau de Javel. Le non-respect de cette recommandation peut entraîner la corrosion ou une décoloration de la cuve/des plateaux, et réduire de façon significative la durée de vie du stérilisateur.

Les plateaux doivent toujours être utilisés lors du fonctionnement de ce stérilisateur (sauf si le kit optionnel de support de cassette est utilisé) afin d'éviter d'endommager sérieusement l'équipement.

Tous les instruments doivent être traités conformément à toutes les directives réglementaires applicables pour le contrôle des infections.

- Tous les instruments à stériliser doivent être disposés de manière à permettre une libre circulation de l'agent stérilisateur.
- Tous les instruments doivent être compatibles avec le plateau M9/M11.
- Les plateaux chargés doivent glisser dans la cuve sans accrocher.
- Les instruments ne doivent pas se toucher.
- Les sachets peuvent légèrement se chevaucher, mais les instruments ne doivent pas être empilés.

Directives concernant le chargement – suite

Taille des charges

Consultez les tableaux ci-dessous pour connaître les charges de stérilisation maximales. Si la charge dépasse ces limites, nous vous recommandons de diviser le lot et d'exécuter plusieurs cycles. Ci-dessous figurent les charges maximales recommandées pour chaque plateau, ainsi que les charges totales :



AVERTISSEMENT

Ne surchargez pas la cuve. Un espace adéquat est nécessaire autour des instruments sur les plateaux pour que la vapeur puisse circuler et les sécher. Tout manquement à cette recommandation nuira à la stérilisation et au séchage. N'utilisez pas le stérilisateur si la plaque pour plateaux n'est pas en place.






M9 (capacités maximales)

Type de lot	M9 Plateau grand format	M9 Plateau petit format	M9 Total stérilisateur
Instruments solides	42 instruments – 1 089 g (2,4 lb) ou	28 instruments – 726 g (1,6 lb) ou	140 instruments – 3 629 g (8,0 lb) ou
Pièces à main	9 pièces dans un support ou	9 pièces dans un support ou	9 pièces à main dans le support et 75 instruments ou
Paquets*	1 082 cm ³ (≤ 2,5 cm d'épaisseur) 66 po ³ (≤ 1 po d'épaisseur)	787 cm ³ (≤ 2,5 cm d'épaisseur) 48 po ³ (≤ 1 po d'épaisseur)	3 736 cm ³ (≤ 2,5 cm d'épaisseur) 228 po ³ (≤ 1 po d'épaisseur)

M11 (capacités maximales)

Type de lot	M11 Plateau grand format	M11 Plateau petit format	M11 Total stérilisateur
Instruments solides	45 instruments – 1 225 g (2,7 lb) ou	30 instruments – 816 g (1,8 lb) ou	150 instruments – 4 082 g (9,0 lb) ou
Pièces à main	9 pièces dans un support ou	9 pièces dans un support ou	9 pièces à main dans le support et 75 instruments ou
Paquets*	4425 cm ³ (≤ 5 cm d'épaisseur) 270 po ³ (≤ 2 po d'épaisseur)	3 195 cm ³ (≤ 5 cm d'épaisseur) 195 po ³ (≤ 2 po d'épaisseur)	15 240 cm ³ (≤ 5 cm d'épaisseur) 930 po ³ (≤ 2 po d'épaisseur)

*Il convient de garder un espace de 6,4 mm (1,4 po) au minimum entre chaque lot et à distance de la paroi de la cuve.

Type de Cycle	Paramètres de Cycle			Temps de Séchage ²	Instruments à stériliser (Il convient de toujours suivre les instructions du fabricant d'instruments concernant la stérilisation.)
	Temp. (Min.)	Durée	Pression. ¹ (Ref.)		
 Unwrapped (Non emballés)	270°F (132°C)	3 min.	27.1 psi (186 kPa)	30 min.	<ul style="list-style-type: none"> • Instruments en vrac sur un plateau. • Cartouches en verre ou en métal ouvertes. • Tubulure non utilisée dans les interventions chirurgicales. <i>(longueur max. 1 mètre (40 pouces) et diamètre intérieur min. 4,75 mètres (187 pouces))</i> • Instruments en vrac pour lesquels les fabricants recommandent une exposition à 132 °C (270 °F) pour 3 minutes. <i>Remarque : L'exposition à un environnement non stérile peut nuire à la stérilité des instruments non emballés.</i>
 Pouches (Sachets)	270°F (132°C)	5 min.	27.1 psi (186 kPa)	30 min.	<ul style="list-style-type: none"> • Instruments en sachets ou emballés légèrement. • Plusieurs couches d'instruments séparées par du tissu. • Plateaux emballés d'instruments en vrac. • Cassettes emballées. • Tubulure non utilisée dans les interventions chirurgicales. • Instruments emballés pour lesquels les fabricants recommandent une exposition à 132 °C (270 °F) pour 5 minutes
 Packs (Paquets)	250°F (121°C)	30 min.	15 psi (104 kPa)	30 min.	<ul style="list-style-type: none"> • Textiles et paquets chirurgicaux emballés pour la stérilisation. • Instruments, sauf liquides, pour lesquels les fabricants recommandent une exposition à 121 °C (250 °F) pendant 30 minutes
 Handpieces (Pièces à main)	270°F (132°C)	6 min.	27.1 psi (186 kPa)	30 min.	<ul style="list-style-type: none"> • Pièces à main dentaires (emballés ou non emballés). <i>Remarque : vérifiez l'adéquation des paramètres de stérilisation auprès du fabricant de pièces à main.</i>
 Programmable, définie par l'utilisateur	230°F (110°C) to 275°F (135°C)	3 min. to 90min.	6 psi (41 kPa) to 31 psi (214 kPa)	30 min.	<ul style="list-style-type: none"> • Instruments appropriés pour les paramètres définis par l'utilisateur. <p>Attention <u>Tout le matériel traité dans ces cycles doit être validé par l'utilisateur pour garantir la stérilité du lot traité.</u></p> <p><i>Les cycles programmables 1 et 2 sont fournis pour les applications nécessitant des paramètres de stérilisation différents des cycles pré-réglés. La température de stérilisation peut être ajustée de 110° à 135°C (230° à 275°F). La plage de températures autorisées pour une stérilisation adéquate est de 121° à 135°C (250° à 275°F). La stérilisation ne peut pas être effectuée à des températures inférieures à 121°C (250°F), sauf mention contraire du fabricant de l'instrument. Les températures inférieures à 121°C (250°F) ne sont proposées que pour la désinfection.</i></p>

1. La pression indiquée dans ce tableau a uniquement valeur de référence. C'est la pression idéale de vapeur saturée pour cette température de stérilisation. La pression indiquée sur l'écran du stérilisateur peut être plus élevée ou descendre.

2. La durée de séchage peut varier entre 0 et 60 minutes. Reportez-vous à la section **Fonctionnement de cycle**.

Fonctionnement de cycle

Voir les étapes suivantes pour une description détaillée du fonctionnement de cycle :



Avertissement concernant l'équipement

Le stérilisateur ne fonctionnera que si la porte est bien fermée et verrouillée.

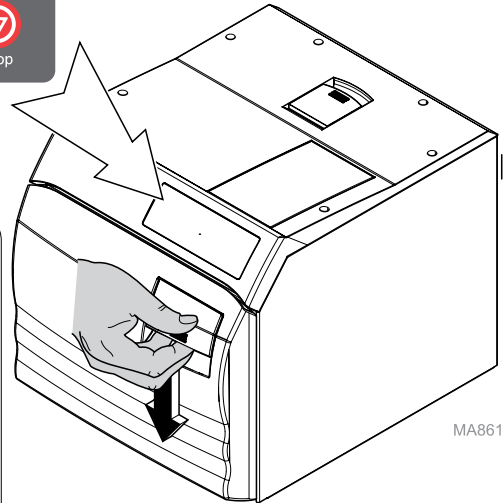
Étape 1 : Fermer et verrouiller la porte.

- A) Tournez la poignée de la porte et fermez la porte.
- B) En repoussant la porte, faites glisser la poignée de la porte vers le bas pour fermer le verrou.



Boutons de cycle
(programmables)

Boutons de cycle
(prédéfinis)



MA8611i

Remarque

Appuyez sur le bouton **Start (Démarrer)** lorsque « SELECT CYCLE » (SÉLECTIONNER CYCLE) s'affiche, au début ou à la fin du cycle, pour activer l'élément de chauffage pendant 10 minutes. Le message « ADDITIONAL HEAT » (CHALEUR SUPPLÉMENTAIRE) clignote à l'écran. Ceci permet à l'utilisateur de préchauffer la cuve avant de lancer un cycle ou d'ajouter du temps supplémentaire en mode de séchage à la fin d'un cycle. Appuyez sur le bouton **Stop (Arrêt)** pour arrêter le cycle « ADDITIONAL HEAT » (CHALEUR SUPPLÉMENTAIRE).



Avertissement concernant l'équipement

L'utilisation d'un programme de stérilisation inadéquat peut donner lieu à des instruments non stériles et endommager les instruments. Contactez le fabricant de l'instrument pour obtenir des instructions de stérilisation spécifiques.

Étape 2 : Choisir le cycle désiré.

- A) Appuyez sur le bouton de cycle approprié du panneau d'affichage.
(Reportez-vous au tableau « Paramètres de cycle » pour les spécifications de temps/température.)



Fonctionnement de cycle – suite

En appuyant sur le bouton de cycles, les paramètres dudit cycle apparaîtront sur l'écran d'affichage.

Remarque

Sur les appareils utilisant le système métrique, °C remplacera °F et KPA remplacera PSI.

Appuyez sur **P** pour modifier la durée de SÉCHAGE entre 0 et 60 minutes par incréments de 1 minute dans un cycle prédéfini.

Appuyer sur  permet de réduire la durée. Appuyer sur  permet d'augmenter la durée.



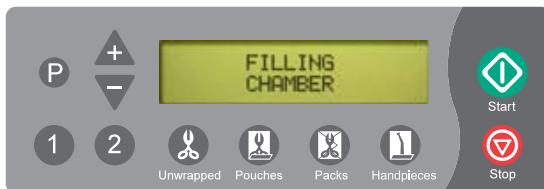
AVERTISSEMENT


Il est possible d'appuyer à tout moment sur le bouton STOP (DÉMARRER) pour arrêter ou interrompre un cycle. Les instruments ne doivent pas être considérés comme stériles si vous appuyez sur le bouton avant le cycle de séchage. Le stérilisateur retournera en mode SELECT CYCLE (SÉLECTIONNER CYCLE).

Étape 3 : Appuyez sur le bouton « Start » (Démarrer) pour lancer un cycle.
L'appareil émettra un « bip » pendant deux secondes, pour indiquer que le cycle a débuté.

Fonctionnement de cycle – suite


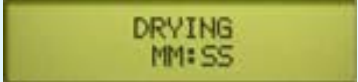

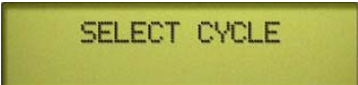
En appuyant sur le bouton « Start » (Démarrer), l'avancement/le statut du cycle en cours apparaîtra sur l'écran d'affichage. Le tableau ci-après reprend les messages affichés à chaque étape du cycle.



Étape du cycle	Description	Affichage
Remplissage	La cuve commence à se remplir d'eau.	FILLING CHAMBER
	Lorsque l'eau atteint le niveau adéquat...	CHAMBER IS FULL
Chauffage	L'affichage change selon l'évolution de la température et de la pression de la cuve. <i>(Il est possible d'afficher les unités de mesure métriques au besoin.)</i>	HEATING - UNWRAPPED XXX°F XX.X PSI
Stérilisation	La stérilisation lance lorsque la température et la pression adéquates sont atteintes. La durée restante est décomptée alors que la température et la pression de la cuve sont continuellement mises à jour.	STERILIZING MM:SS XXX°F XX.X PSI
Prêt pour ventilation	Le message « READY TO VENT » (Prêt pour ventilation) s'affiche à 10 secondes de la fin du cycle de stérilisation.	READY TO VENT XXX°F XX.X PSI
Ventilation rapide	Lorsque le mode de stérilisation est terminé, la vanne de ventilation s'ouvre. La vapeur et l'eau sont évacuées du réservoir. L'affichage change selon l'évolution de la température et de la pression de la cuve.	FAST VENT XXX°F XX.X PSI
	Attention <i>Écartez-vous lorsque la porte du M9 est prête à s'ouvrir. Tout manquement à cette recommandation peut entraîner des brûlures graves à cause de la vapeur libérée.</i>	
Ouverture de la porte (automatique)	Un signal sonore se déclenche pour indiquer que la porte est sur le point de s'ouvrir. Lorsque le niveau de pression de la cuve atteint zéro, la porte s'ouvre partiellement (mode de séchage).	DOOR TO OPEN XXX°F XX.X PSI

Suite du tableau à la page suivante...

Fonctionnement de cycle – suite

Étape du cycle	Description	Affichage
	Attention <i>Les charges traitées peuvent encore être humides si le cycle de séchage a été interrompu prématurément. Veillez à toujours laisser les charges traitées sécher dans le stérilisateur avant leur manipulation afin d'éviter toute re-contamination.</i>	
Séchage	La durée restante du cycle de séchage est décomptée. Au besoin, le cycle de séchage peut être annulé en appuyant sur le bouton STOP (ARRÊT).	
	Lorsque la phase de séchage atteint 0:00...	
Cycle terminé	Un signal sonore est émis pendant 10 secondes.	



Attention

Le lot traité et les surfaces intérieures seront chauds. Évitez tout contact avec les surfaces chaudes. Tout manquement à cette recommandation peut entraîner des brûlures graves.

Étape 4 : Retirer le lot traité de la cuve.

- A) Reportez-vous à la section « Déchargement des cassettes/plateaux chauds » ci-après dans le manuel.
- B) Le stérilisateur est maintenant prêt pour un autre cycle.

Procédure post-stérilisation

Après le processus de stérilisation, tous les instruments doivent être manipulés conformément à toutes les directives réglementaires relatives au contrôle des infections.

Du personnel qualifié chargé de la prévention des infections doit établir un protocole pour le traitement des instruments stérilisés. Ce protocole doit être suivi par tout le personnel responsable de la manipulation des instruments stérilisés.

Déchargement des cassettes et des plateaux chauds (utilisation de l'outil optionnel Casette/Plateau)



Attention

Utilisez uniquement la poignée pour cassette/plateau 9A307001 avec les plateaux Midmark. Les plateaux/cassettes peuvent être CHAUDS. Prenez garde lors de leur retrait ou de leur transport.

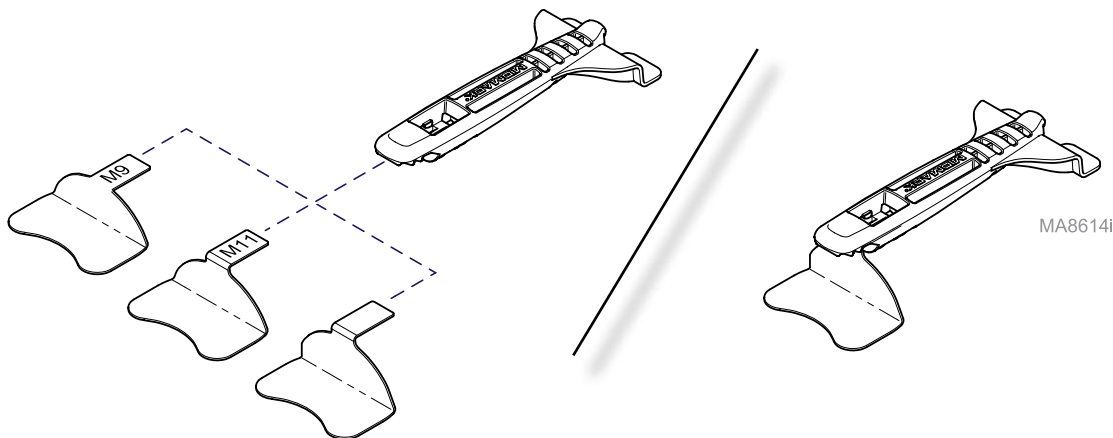
Tenez le plateau droit et légèrement en hauteur pour éviter qu'il ne bascule et qu'il ne sorte de son axe.

Toute autre méthode de déplacement risque d'entraîner des blessures par brûlure.

Étape 1 : Assemblage de la poignée pour cassette/plateau.

A) Glissez le plateau* adéquat dans la poignée, tel qu'illustré.

Remarque : Trois plateaux sont inclus. Chaque plateau est conçu pour une fin précise (plateaux M9, plateaux M11, cassettes).



Déchargement des cassettes et des plateaux chauds – suite (utilisation de l'outil optionnel Cassette/Plateau)

Pour retirer les plateaux M9/M11...

- A) Accrochez la languette supérieure en dents de scie de la poignée au centre supérieur du rebord du plateau.
- B) Faites descendre la poignée jusqu'à ce que la plaque de celle-ci soit entièrement sous le plateau.
- C) Vérifiez que le plateau est bien sécurisé et retirez-le de la cuve.



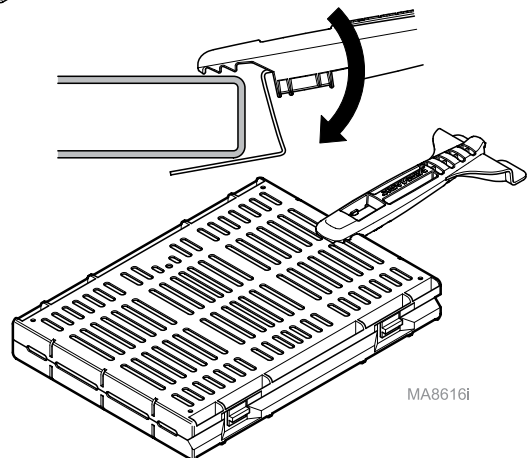
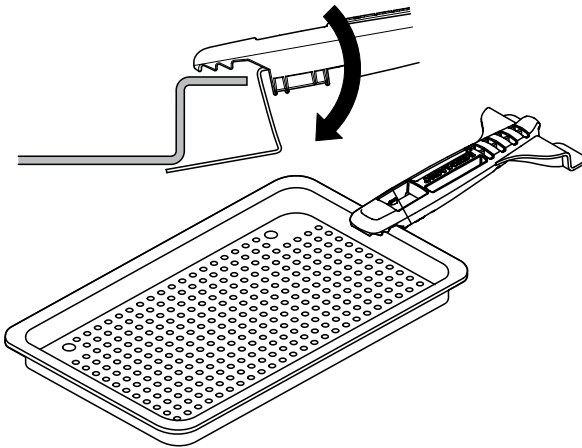
Attention

Lors du retrait de la cassette, tenez l'outil à cassette de façon à ce que l'extrémité de la cassette soit légèrement surélevée et veillez à ce qu'elle ne glisse pas de l'outil à cassette.

Pour retirer les cassettes...

- A) Accrochez la languette supérieure en dents de scie de la poignée au centre supérieur du rebord de la cassette.
- B) Faites descendre la poignée jusqu'à ce que la plaque de celle-ci soit entièrement sous la cassette.
- C) Vérifiez que la cassette est bien sécurisée et retirez-la de la cuve.

Remarque : La poignée pour cassette permet de manipuler des cassettes jusqu'à 3,8 cm (1 1/2 po) d'épaisseur.

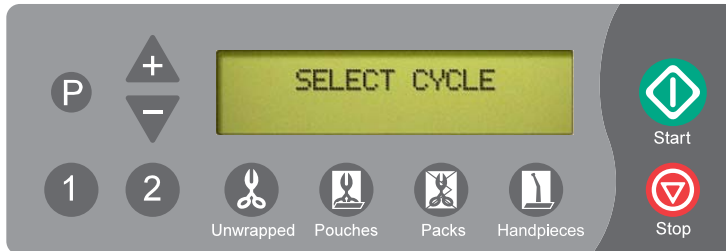


MA8616i

Boutons de cycles programmables

Les boutons de cycles **1** **2** peuvent être utilisés pour des applications personnalisées qui ne sont pas couvertes par les programmes de cycles standard. Une fois qu'un programme personnalisé a été enregistré, il peut être utilisé en appuyant sur le bouton **1** ou **2**. Suivez les instructions du tableau ci-dessous pour définir les paramètres de temps/température pour ces boutons.

(Si vous souhaitez changer les réglages, ces boutons peuvent être reprogrammés à tout moment.)



REMARQUE :

Pour annuler les modifications et revenir aux paramètres initiaux lors de la procédure, appuyez sur le bouton STOP (ARRÊT).


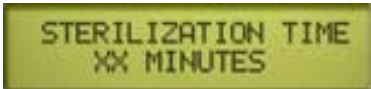


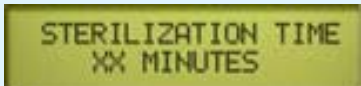
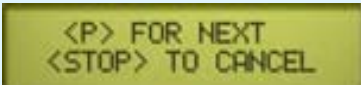




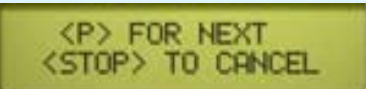

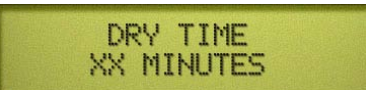
Action	Description	Affichage
<p>Appuyer sur le bouton désiré</p> <p>1 2</p>	Permet de sélectionner le bouton qui sera programmé.	<p>PROGRAM 1 XXX°F, XX MINUTES</p> <p>FAST VENT XXX MINUTE DRY</p>
<p>Appuyer sur</p> <p>P</p>	Permet d'afficher le programme de réglage de la température de stérilisation.	<p>STERILIZATION TEMP: XXX.X°F</p>
<p></p>	<p>Attention</p> <p><i>La température de stérilisation peut être ajustée de 110 °C (230 °F) minimum à 135 °C (275 °F) maximum. La plage de températures autorisées pour une stérilisation adéquate est de 121 à 135 °C (250 – 275 °F).</i></p> <p><i>Les températures inférieures à 121 °C (250 °F) ne doivent pas être utilisées pour la stérilisation, sauf mention contraire du fabricant de l'instrument. Les températures inférieures à 121 °C (250 °F) ne sont proposées que pour la désinfection.</i></p>	
<p>Régler la température de stérilisation</p> <p>+ -</p>	<p>Les boutons « + » et « - » permettent de régler la température par incréments de 1°.</p> <p>Lorsque la température souhaitée apparaît à l'écran...</p>	<p>STERILIZATION TEMP: XXX.X°F</p> <p><P> FOR NEXT <STOP> TO CANCEL</p>

Suite du tableau à la page suivante...

Boutons de cycles programmables – suite

REMARQUE :

Pour annuler les modifications et revenir aux paramètres initiaux lors de la procédure, appuyez sur le bouton STOP (ARRÊT).






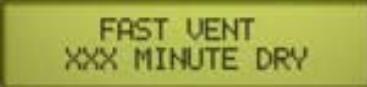

Action	Description	Affichage
<p>Appuyez sur</p> 	<p>Pour mémoriser la température. Permet d'afficher le programme de détermination de la durée de stérilisation en montrant la valeur actuelle.</p>	
	<p>Attention <i>La durée de stérilisation peut être ajustée de 3 minutes minimum à 90 minutes maximum. Il est important de coordonner la durée du cycle à la température de stérilisation.</i></p>	
<p>Régler la durée de stérilisation</p> 	<p>Les boutons « + » et « - » permettent de régler la durée par incréments de 1 minute.</p>	
	<p>Lorsque la durée souhaitée apparaît à l'écran...</p>	
<p>Appuyez sur</p> 	<p>Pour mémoriser la durée de stérilisation. Permet d'afficher le programme de vitesse de ventilation et la valeur actuelle.</p>	
<p>Adapter la vitesse de ventilation</p> 	<p>Lors de la ventilation en mode FAST (RAPIDE), la vanne s'ouvre complètement et ventile la cuve.</p> <p>En mode SLOW (LENT), la vanne s'ouvre partiellement pendant une fraction de seconde (une fois par minute) afin de ventiler la cuve lentement.</p> <p>Appuyez sur le bouton « + » pour sélectionner le mode FAST (RAPIDE) Appuyez sur le bouton « - » pour sélectionner le mode SLOW (LENT)</p>	
	<p>Lorsque le paramètre souhaité apparaît à l'écran...</p>	
<p>Appuyez sur</p> 	<p>Pour mémoriser le paramètre et afficher le programme de séchage ainsi que la valeur actuelle.</p>	

Suite du tableau à la page suivante...

Boutons de cycles programmables – suite

REMARQUE :

Pour annuler les modifications et revenir aux paramètres initiaux lors de la procédure, appuyez sur le bouton STOP.

Action	Description	Affichage
Régler la durée de séchage 	La durée de séchage peut varier entre 0 et 60 minutes.	
	Les boutons « + » et « - » permettent de régler la durée par incréments de 1 minute.	
	Lorsque la durée souhaitée apparaît à l'écran...	
Appuyez sur 	Pour mémoriser le paramètre et terminer la programmation. L'écran affichera les nouveaux paramètres de cycle.	
		
	Remarque <i>Les paramètres programmés sont mémorisés sous le bouton de programme n° <1> ou <2>. Les réglages seront mémorisés même en cas de panne de courant ou de débranchement de l'appareil.</i>	
	Attention <i>Tout matériel traité dans ces cycles doit être validé par l'utilisateur. Tout manquement à cette recommandation peut nuire à la stérilisation.</i>	

Entretien

Messages d'entretien

En vue de garantir le bon fonctionnement et de maximiser la durée de vie du stérilisateur, il convient de suivre attentivement les recommandations relatives à l'entretien régulier. L'entretien recommandé est facile et rapide.

En vue d'éviter tout problème, une des étapes les PLUS importantes consiste à utiliser UNIQUEMENT de l'eau distillée ou de l'eau répondant aux spécifications de pureté de l'eau référencées – ET NON DE L'EAU DU ROBINET – dans le stérilisateur. Étant donné que le stérilisateur fonctionne à hautes températures, tous minéraux dissous dans l'eau formeraient un dépôt. Ce dépôt peut empêcher l'ouverture et la fermeture appropriées des vannes et faire apparaître de la corrosion dans la cuve et la tubulure.

Des rappels concernant l'entretien seront affichés sur l'écran au moment opportun en vue d'aider l'utilisateur. Ces rappels n'apparaissent plus à l'écran lorsqu'un cycle est lancé.

L'utilisateur est responsable de l'entretien régulier en vue de garantir le bon fonctionnement de l'équipement et la stérilisation fiable des lots. Contactez le distributeur Midmark ou le représentant du service après-vente de votre région pour élaborer un programme d'entretien.

Entretien quotidien



Avertissement concernant l'équipement

Si le stérilisateur est souvent utilisé pour stériliser des pièces à main dentaires ayant été lubrifiées ou immergées dans des laits dentaires, purgez l'eau du réservoir une fois par jour. Remplissez le réservoir d'eau distillée ou d'eau répondant aux spécifications de pureté de l'eau référencées.

• Nettoyage des surfaces externes

- A) Nettoyez l'extérieur du stérilisateur quotidiennement, conformément aux procédures de votre établissement en matière de surfaces cliniques de contact, notamment les indications suivantes : (Utilisez uniquement des désinfectants quaternaires pour désinfecter l'appareil. Les désinfectants phénoliques, glutaraldéhydes ou iodophores peuvent tacher, oxyder, décolorer ou ramollir les surfaces en plastique de l'appareil. De même, l'alcool et les nettoyants/désinfectants en bombe aérosol contenant des quantités importantes d'alcool peuvent endommager la plaque de la lampe.)
- B) Essorez le chiffon avant de l'utiliser.
- C) À l'aide d'un chiffon doux, essuyez toutes les surfaces externes.
- D) Suivez les instructions fournies par le fabricant du nettoyant/désinfectant utilisé pour le rinçage et le séchage des surfaces extérieures.

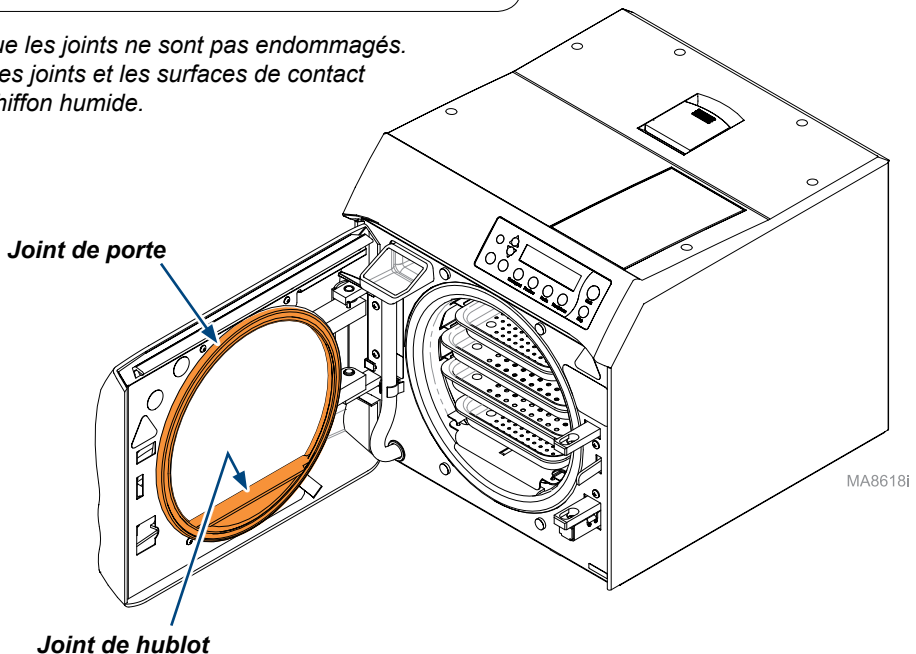
• Nettoyage les joints de porte/hublot du stérilisateur.



Attention

Pour éviter les brûlures, laissez refroidir l'appareil avant de nettoyer les joints et les surfaces de contact.

- A) Vérifiez que les joints ne sont pas endommagés.
- B) Nettoyez les joints et les surfaces de contact avec un chiffon humide.



Entretien hebdomadaire



Avertissement concernant l'équipement

Ne pas changer l'eau peut entraîner un dysfonctionnement du stérilisateur. N'utilisez pas de blanchissants ou de substances/matériaux abrasifs dans la cuve (c.-à-d. eau de Javel, paille de fer, brosse métallique, poudre à récurer, etc.). Tout manquement à cette recommandation peut endommager la cuve ou d'autres composants.

Remarque

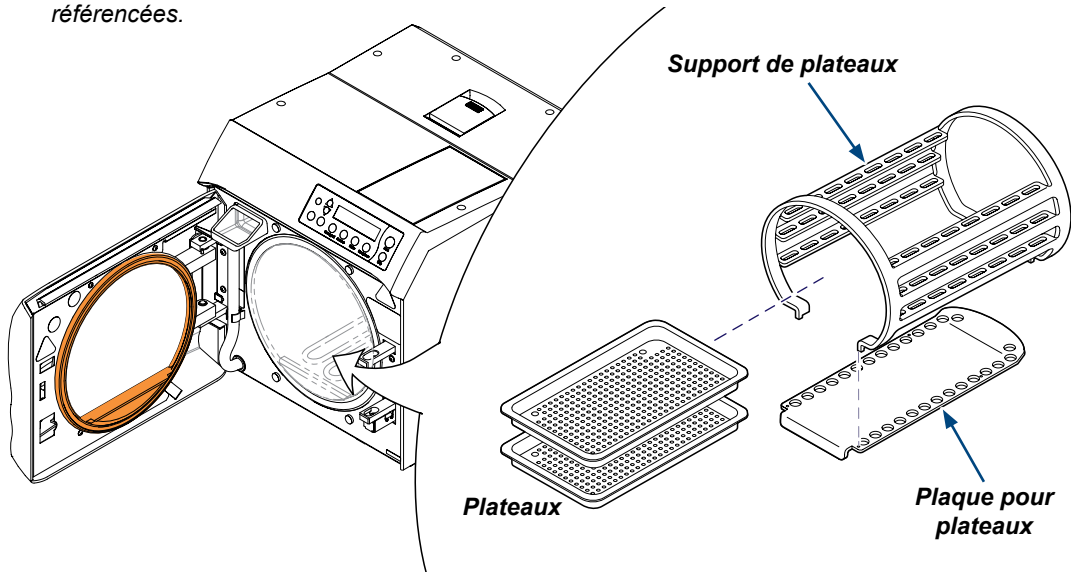
L'autoclave affichera automatiquement le message PERFORM WEEKLY MAINTENANCE (EFFECTUER L'ENTRETIEN HEBDOMADAIRE) tous les sept jours. Si l'appareil est débranché, le cycle de messages hebdomadaires sera réinitialisé.

• Nettoyage de la cuve/des plateaux (support et plaque compris)

Remarque

L'étape A n'est pas nécessaire si le stérilisateur est connecté à un système de réduction thermique à vidange.

- A) Débranchez des attaches du panneau la partie supérieure du tuyau de purge du réservoir, penchez-le vers le bas, videz le réservoir d'eau dans un récipient adapté, par ex. un seau, et jetez l'eau.
- B) Retirez les plateaux, le support de plateaux et la plaque du stérilisateur. (Voir page suivante pour les instructions relatives au retrait/à l'installation du support et de la plaque pour plateaux).
- C) Nettoyez l'intérieur de la cuve, le support, les plateaux et les plaques avec un savon doux ou le Speed-Clean et de l'eau distillée.
- D) Remplissez le réservoir d'eau distillée ou d'eau répondant aux spécifications de pureté de l'eau référencées.



Entretien hebdomadaire – suite

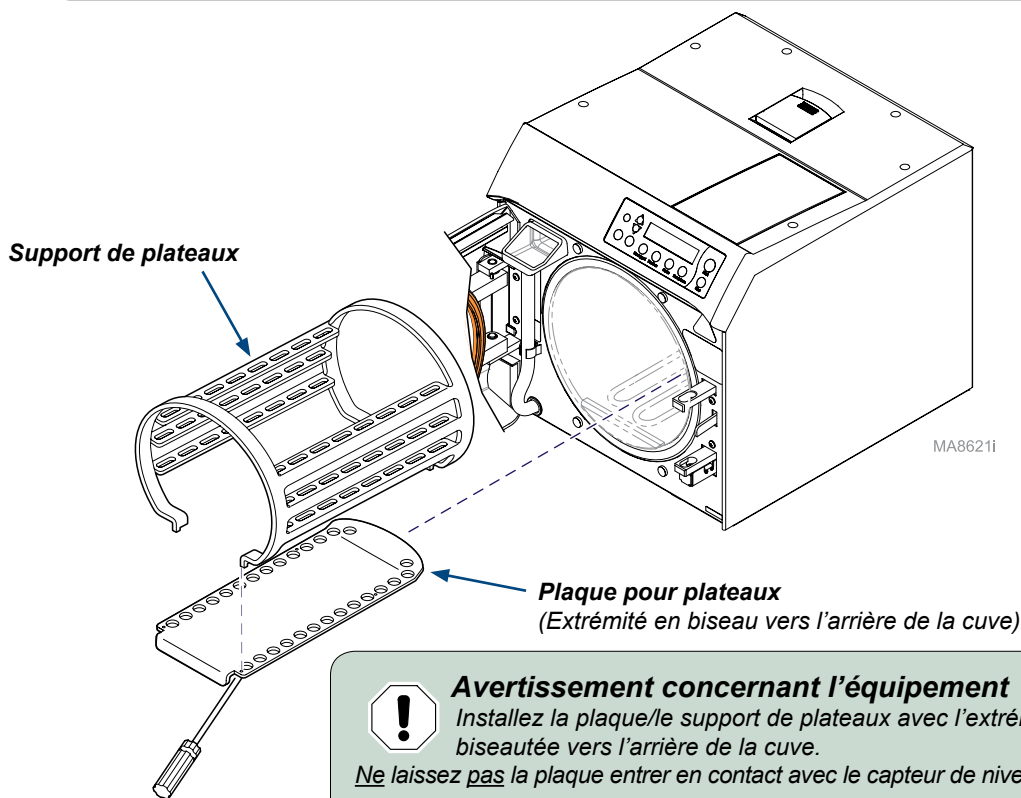


AVERTISSEMENT

Laissez l'appareil refroidir avant de retirer ou de poser le support de plateaux et la plaque. Prenez des précautions lors de la manipulation du plateau de support en métal afin d'éviter toute blessure. N'utilisez pas le stérilisateur si la plaque pour plateaux n'est pas en place.

Pour retirer le support de plateaux/la plaque...

- A) Retirez les plateaux.
- B) À l'aide d'un tournevis, soulevez le plateau tout en tirant la plaque/le support de plateaux hors de la cuve.



Avertissement concernant l'équipement

Installez la plaque/le support de plateaux avec l'extrémité biseautée vers l'arrière de la cuve.

Ne laissez pas la plaque entrer en contact avec le capteur de niveau d'eau.

Pour installer le support de plateaux/la plaque...

- A) Insérez le support de plateaux sur la plaque.
- B) Placez la plaque (côté biseauté en premier) dans la cuve.
- C) Appuyez sur le support de plateaux tout en le faisant coulisser dans la cuve.

Entretien mensuel



AVERTISSEMENT

Ne stérilisez pas d'instruments pendant le nettoyage du stérilisateur.



Avertissement concernant l'équipement

Utiliser **Speed-Clean** uniquement pour rincer le système. Une erreur de rinçage du système avec Speed-Clean peut entraîner une défaillance prématurée des composants du stérilisateur.

Remarque

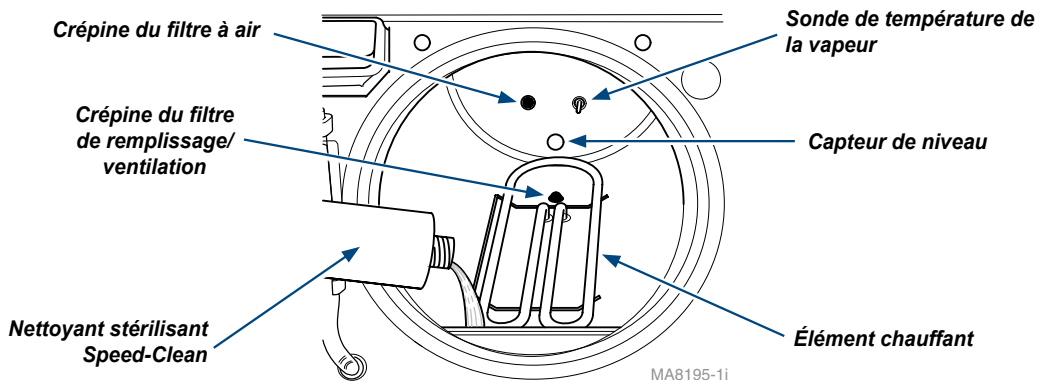
L'autoclave affichera automatiquement le message **PERFORM MONTHLY MAINTENANCE (EFFECTUER L'ENTRETIEN MENSUEL)** tous les 28 jours. Si l'appareil est débranché, le cycle de messages mensuels sera réinitialisé.

• Nettoyer la cuve/tuyauterie

Remarque

Les étapes A à G doivent être réalisées tous les trois mois si le stérilisateur est connecté à un système de réduction thermique à vidange.

- A) Laissez refroidir la cuve et purgez le réservoir du stérilisateur, puis remplissez le réservoir d'eau distillée propre, ou d'eau répondant aux spécifications de pureté de l'eau référencées.
Ajoutez 30 ml (1 oz) de nettoyant Speed-Clean directement dans le bas de la cuve.
- B) Exécutez un cycle **Pouches (Sachets)**.
- C) Appuyez sur le bouton **Stop (Arrêt)** lorsque le cycle de séchage commence.
- (Un cycle à vide n'est pas nécessaire pendant la maintenance.)
- D) Purgez le réservoir et remplissez-le à nouveau d'eau distillée propre ou d'eau répondant aux spécifications de pureté de l'eau référencées.
- E) Rincez en exécutant un cycle **Unwrapped (Non emballés)** Appuyez sur le bouton « Stop » (Arrêt) lorsque le cycle de séchage commence.
- F) Purgez et remplissez le réservoir d'eau distillée propre ou d'eau répondant aux spécifications de pureté de l'eau référencées, puis laissez refroidir le stérilisateur.
- G) Retirez les plateaux et le support de plateaux. Essuyez avec un chiffon humide.



Entretien mensuel – suite

• Nettoyer la cuve/tuyauterie – suite



Avertissement concernant l'équipement

Essuyez l'intérieur de la cuve avec précaution. Tout manquement à cette recommandation peut endommager l'élément de chauffage, la sonde de température de la vapeur ou le capteur de niveau.



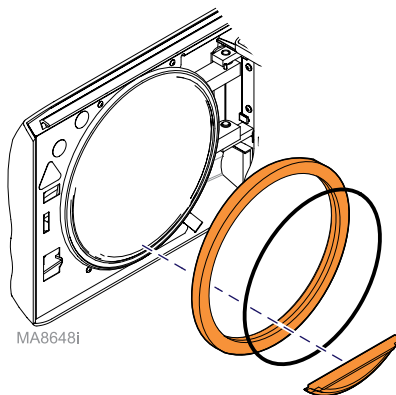
Avertissement concernant l'équipement

N'utilisez pas le stérilisateur si les filtres ne sont pas en place.

- H) Retirez et nettoyez les filtres. Les filtres servent à empêcher l'entrée de débris pouvant entraîner un dysfonctionnement de la vanne. Entre les nettoyages mensuels réguliers, les filtres doivent être nettoyés si le remplissage ou la ventilation sont trop longs ou que les instruments ne sèchent pas. (Reportez-vous à l'illustration pour l'emplacement des tamis de filtre.)
- I) Saisissez le filtre et éloignez-le doucement de la paroi de la cuve tout en tournant légèrement. (Au besoin, utilisez une pince pour retirer les filtres.)
- J) Nettoyez les filtres avec le Speed-Clean et de l'eau distillée. Une brosse à crin dur ou un nettoyeur ultrasonique peuvent être utiles. Rincez les filtres à l'eau distillée. Remplacez le(s) filtre(s) si les débris ne peuvent être enlevés lors du nettoyage.
- K) Essuyez l'intérieur de la cuve.
- L) Installez les filtres. (Appuyez vers l'intérieur, vers la paroi de la cuve, tout en tournant légèrement.)
- M) Reposez la plaque, le support et les plateaux.



• Retirer/nettoyer les joints de porte et de hublot

- A) Retirez les joints de porte et de hublot de la porte de la cuve, puis retirez l'anneau du joint de porte.
- B) Nettoyez les joints et l'anneau à l'aide du Speed-Clean, d'eau distillée et d'une brosse à poils doux.
- C) Vérifiez que les joints ne sont pas endommagés, rétrécis ou dilatés.
Remplacez les joints si le dommage est apparent.
- D) Insérez l'anneau de joint dans la rainure du joint de porte et reposez le joint dans la porte.
- E) Insérez le joint de hublot.



Entretien mensuel – suite

- **Vérification de la soupape de décharge** (doit être contrôlée une fois par mois pour garantir son bon fonctionnement)

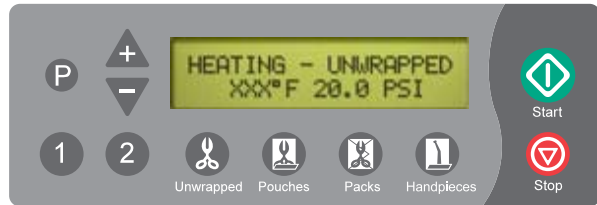
- A) Appuyez sur le bouton **Unwrapped (Non emballés)** 
- B) Appuyez sur le bouton **Start (Démarrer)** 



Attention

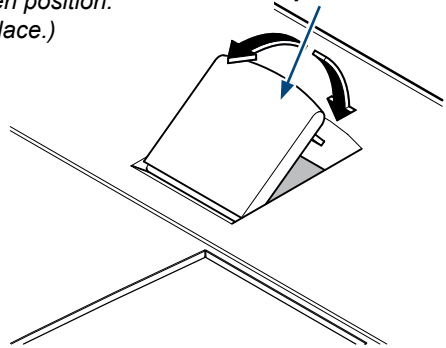
Pendant le contrôle de la soupape de décharge, de la vapeur sortira du dessous du stérilisateur. Pour éviter des brûlures, veuillez mettre une barrière de vapeur (une serviette enroulée) autour du bas du stérilisateur.


- C) Attendez que la cuve atteigne une pression de 138 kPa (20 psi).



- D) Tirez fermement le levier de décharge de pression vers le haut pendant environ 3 secondes, puis relâchez. (La vapeur devrait s'échapper librement de sous l'arrière de l'appareil lorsque vous tirez sur le levier. Si la soupape ne se ferme pas complètement lorsque vous relâchez le levier, tirez à nouveau le levier et relâchez-le rapidement de façon à ce que la soupape s'enclenche en position. Répétez ce geste jusqu'à ce que la vanne soit bien en place.)

Levier de décharge de pression



- E) Appuyez sur le bouton **Stop (Arrêt)** 
(Ceci interrompt le cycle pour empêcher la surchauffe.)



Avertissement concernant l'équipement

Si une force excessive est nécessaire pour ouvrir la vanne de surpression, ou si la vanne ne se referme pas complètement, elle doit être remplacée. (Reportez-vous à la section « Service après-vente » dans le présent manuel.)

MA6013011

Entretien après une utilisation prolongée

Les modèles M9 et M11 sont conçus et testés en vue de garantir une fiabilité exceptionnelle tout au long de leur durée de vie. Cependant, comme tout appareil électromécanique, ils sont sujets à l'usure et aux dégradations.

En vue de garantir l'intégrité, la performance et la sécurité de l'ensemble des composants principaux des dispositifs, il incombe à l'utilisateur de faire vérifier les performances/le fonctionnement du stérilisateur par un prestataire de services agréé par Midmark tous les 10 ans ou 10 000 cycles, selon la première éventualité. Il est recommandé de faire appel à un prestataire de services agréé par Midmark en vue de procéder à une inspection annuelle après 10 ans ou 10 000 cycles.

Imprimante (en option)

Utilisation de l'imprimante

Lorsque le stérilisateur est branché, l'imprimante est automatiquement mis sous tension et initialisé. Aucune intervention ou configuration de l'utilisateur n'est requise.

Description de la bande d'impression

L'imprimante imprimera les informations suivantes pour chaque cycle de programme :

- *Nombre de cycles*
- *Identification : une ligne est imprimée afin d'enregistrer l'identifiant du stérilisateur sur la bande d'impression*
- *Utilisateur : une ligne est imprimée afin d'enregistrer la signature de l'utilisateur sur la bande d'impression*
- *Date : des lignes sont imprimées pour le mois, le jour, l'heure et la minute de sorte que la date et l'heure puissent être enregistrées par l'utilisateur sur la bande d'impression*
- *« BEGIN selected CYCLE » : indique le lancement du cycle sélectionné par l'utilisateur*
- *Résumé des points de consigne des cycles sélectionnés.*

Lorsque le cycle est lancé, l'imprimante imprime les termes « FILLING CHAMBER » (REPLISSAGE DE LA CUVE) pour indiquer que le stérilisateur se remplit d'eau.

Lorsque l'appareil lance la phase de chauffage du cycle de stérilisation, le terme « HEATING » (CHAUFFAGE) est imprimé et l'imprimante imprime la température de la cuve, la pression et le temps écoulé par incréments de 30 secondes, jusqu'à la fin de la phase de chauffe.

Lorsque l'appareil lance la phase de stérilisation, le terme « STERILIZING » (STÉRILISATION) est imprimé et l'imprimante imprime la température de la cuve, la pression et le temps écoulé par incréments de 30 secondes, jusqu'à la fin de la phase de stérilisation.

Une fois que le stérilisateur a terminé la phase de stérilisation du cycle de programme, l'imprimante imprime les termes « VENTING CHAMBER » (VENTILATION DE LA CUVE) pour indiquer que la cuve libère la pression de la vapeur.

Lorsque le stérilisateur entre en phase de séchage, le terme « DRYING » (SÉCHAGE) est imprimé et l'imprimante imprime le temps écoulé par incréments de 5 minutes, en commençant par 0:00 et les termes « DRYING START » (DÉMARRAGE DU SÉCHAGE). L'imprimante continue d'imprimer le temps écoulé par incréments de 5 minutes jusqu'à la fin de la phase. Le dernier compte-rendu sur la phase de séchage comprendra les termes « DRYING COMPLETE » (SÉCHAGE TERMINÉ). Si la phase de séchage est programmée pour une période qui n'est pas divisible par 5, le compte-rendu final rapportera la durée de séchage programmée par incréments de 1 minute, c.-à-d. l'impression sur la bande pour un cycle de séchage programmé de 12 minutes sera de 5, 10 et 12 minutes.

Lorsque le stérilisateur a terminé la phase de séchage du cycle de stérilisation, l'imprimante imprimera un résumé du cycle de stérilisation comportant la durée de chaque phase du cycle et la durée totale du cycle. Après le résumé, l'imprimante imprimera « CYCLE COMPLETE » (CYCLE TERMINÉ).

[REMARQUE: si la phase de séchage est annulée, les termes « DRYING COMPLETE » (SÉCHAGE TERMINÉ) et « CYCLE COMPLETE » (CYCLE TERMINÉ) ne seront pas imprimés.]

Exemple d'impression typique d'un cycle de programme

Midmark M9 - v1.0.3
Total Cycles (nombre total de cycles): 10

Sterilizer ID (ID du stérilisateur)

Operator (utilisateur)

-- / -- / -- : --
mm / dd / yyyy hh : mm
(mm / jj / aaaa hh : mm)

BEGIN UNWRAPPED CYCLE (REPLISSAGE DE LA CUVE)

Temp.:	132,2 (270)	Degrés C (Degrés F)
Time (Tempo):	3	Minutes
Dry (Séc):	30	Minutes

FILLING CHAMBER (REPLISSAGE DE LA CUVE)

HEATING (CHAUFFAGE)

mm:ss	Degrés (Degrees)	kPA (PSI)
0:00	112,1 C (233,8 F)	0,0 (0,0)
0:30	110,7 C (231,3 F)	13,1 (1,9)
2:30	129,8 C (265,7 F)	172,4 (25,0)
3:00	132,9 C (271,3 F)	198,6 (28,8)

STERILIZING (STÉRILISATION)

mm:ss	Degrés (Degrees)	kPA (PSI)
0:00	133,2 C (271,8 F)	28,9 (199,3)
0:30	133,6 (272,4)	203,4 (29,5)
2:30	133,7 (272,7)	202,0 (29,3)
3:00	133,7 (272,6)	202,0 (29,3)

Min (Min.)	133,2 C (271,8 F)	197,9 (28,7)
Max (Máx.)	134,0 (273,2)	206,2 (29,9)

VENTING CHAMBER (VENTILATION DE LA CUVE)

DRYING (SÉCHAGE)

MM:SS	
0:00	Drying Start (Lancement du séchage)
5:00	
25:00	
30:00	Drying Complete (Séchage terminé)

FILLING (REPLISSAGE): 03:22
HEATING (CHAUFFAGE): 08:54
STERILIZING (STÉRILISATION): 03:00
VENTING (VENTILATION): 02:16
DRYING (SÉCHAGE): 30:00
TOTAL CYCLE (DURÉE TOTALE DU CYCLE) 00:47:32

CYCLE COMPLETE (CYCLE TERMINÉ)

Number of total cycles performed by the device: 10

Reserved line for the signature of the user

Selected cycle

Indication of the start of the filling phase

During the heating phase, the printer records the temperature and the pressure of the chamber every 30 seconds

During the sterilization phase, the printer records the temperature and the pressure of the chamber in 30 second increments

Indication of the start of the venting phase

During the drying phase, the printer records the duration in 5 minute increments

These lines indicate the total drying time

These lines will not be printed if the drying cycle is interrupted before the end

Summary of the cycle

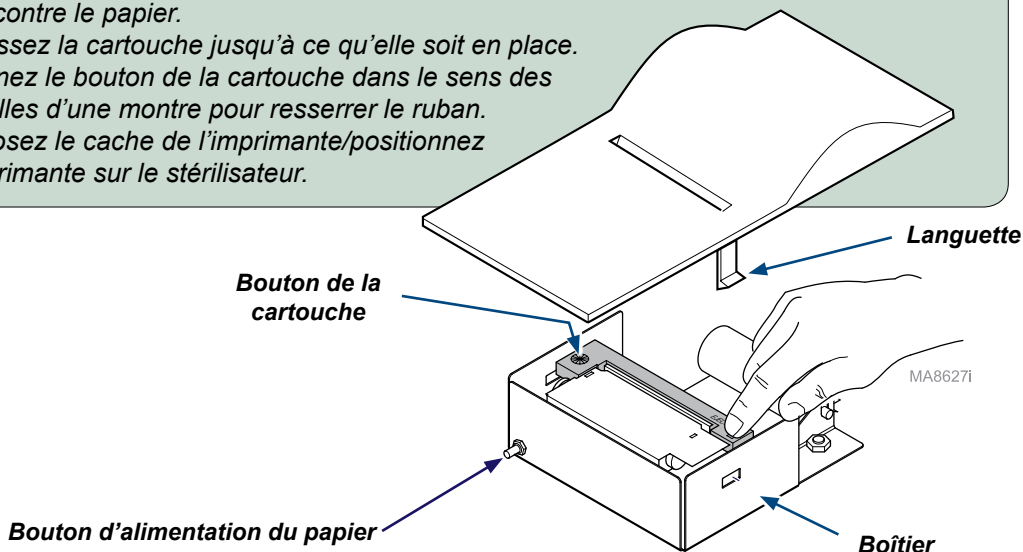
Remplacement de la cartouche de ruban de l'imprimante

Remarque

Si le matériel d'impression est difficile à lire et que vous pensez que le ruban a séché, avancez jusqu'à une partie correctement encrée du ruban en appuyant pendant trois secondes sur le bouton ALIMENTATION PAPIER. Si cette action ne résout pas correctement le problème, veuillez remplacer la cartouche de ruban.

Pour remplacer la cartouche de ruban...

- A) Retirez l'imprimante du couvercle supérieur.
- B) Retirez le cache de l'imprimante. (Inclinez doucement le boîtier pour libérer les languettes.)
- C) Appuyez sur le côté de la cartouche qui porte la mention « Eject » puis retirez la cartouche.
- D) Posez la nouvelle cartouche. Assurez-vous que le ruban est inséré devant le papier et à plat contre le papier.
- E) Abaissez la cartouche jusqu'à ce qu'elle soit en place.
- F) Tournez le bouton de la cartouche dans le sens des aiguilles d'une montre pour resserrer le ruban.
- G) Reposez le cache de l'imprimante/positionnez l'imprimante sur le stérilisateur.



Retrait du rouleau de papier



Avertissement concernant l'équipement

Veillez à extraire le papier par le sommet de l'imprimante.
Le retirer par l'arrière endommagera l'imprimante.

Avant de retirer le rouleau de papier, avancez le papier d'environ 2,5 cm (1 po) en maintenant le bouton ALIMENTATION PAPIER enfoncé. Soulevez le rouleau de papier du boîtier de l'imprimante et, avec des ciseaux, coupez le rouleau de papier de l'imprimante. Essayez de couper le plus droit possible pour faciliter le chargement de papier suivant. Tirez ensuite le papier restant à travers le mécanisme de l'imprimante.

Pose du rouleau de papier



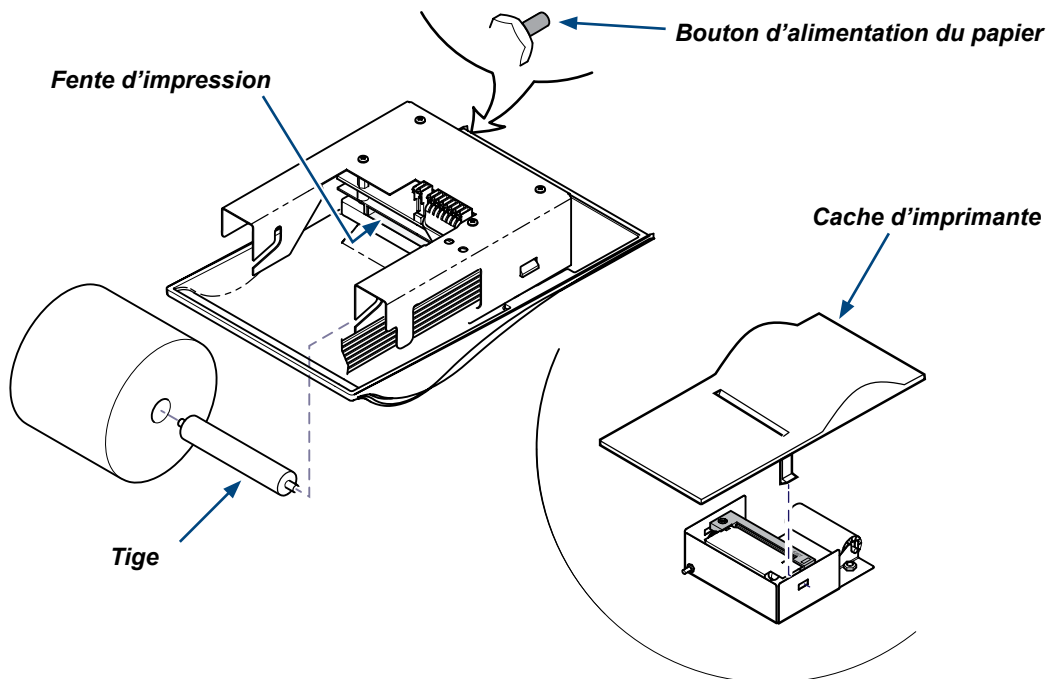
Avertissement concernant l'équipement

Utiliser des rouleaux de papier de plus de 50 mm (1,97 po) de diamètre peut faire céder le mécanisme d'alimentation du papier ou endommager l'imprimante.

Pour poser le rouleau de papier...

- A) Retournez l'imprimante.
- B) Insérez la tige dans le nouveau rouleau de papier.
- C) Déroulez 5 à 7,5 cm (2 à 3 po) de papier.
- D) Si nécessaire, coupez une bordure étroite du papier pour l'insérer dans la fente d'impression.
- E) Insérez environ 6,4 mm (1/4 po) de papier dans la fente d'impression.
- F) Tout en maintenant le papier en place, maintenez enfoncé le bouton ALIMENTATION PAPIER jusqu'à ce que le papier passe dans la fente du cache de l'imprimante, puis relâchez le bouton*.
- G) Tirez 5 à 7,5 cm (2 à 3 po) de papier à travers le cache de l'imprimante.
- H) Insérez le rouleau de papier/la tige dans les encoches du porte-tige, tel qu'illustré.
- I) Tournez le rouleau de papier pour retirer le mou dans l'alimentation du papier de l'imprimante.
- J) Réinstallez l'imprimante dans la cavité de l'imprimante.

*Remarque : si nécessaire, retirez le cache de l'imprimante et alimentez le papier manuellement dans la fente du cache.



Dépannage

Tableau de dépannage

Utiliser le tableau suivant pour corriger les problèmes mineurs avec le stérilisateur.

Problème	Cause possible	Solution
Le stérilisateur ne fonctionne pas (écran vide).	Le cordon d'alimentation du stérilisateur peut être mal branché dans la prise ou à l'arrière du stérilisateur.	Vérifier que le cordon d'alimentation du stérilisateur est bien branché dans la prise et le stérilisateur.
	Absence d'alimentation au niveau de la prise du stérilisateur.	Vérifier le disjoncteur. Si le problème persiste, débranchez le cordon d'alimentation et contactez un technicien de maintenance agréé. (Reportez-vous à la section « Service après-vente ».)
	Fusible ouvert sur la carte de circuits imprimés.	Débranchez le cordon d'alimentation et contactez un technicien de maintenance agréé (cf. « Service après-vente »).
De la vapeur s'échappe de la vanne de surpression.	La vanne de surpression n'est pas bien fermée.	Réinstallez la soupape de décharge. (Reportez-vous à la section « Entretien mensuel ».)
Échec de la stérilisation sur l'un des moniteurs (indicateur chimique, indicateur biologique, etc.).	Les conditions de stérilisation n'étaient pas présentes à l'endroit de l'indicateur.	Recharger le stérilisateur conformément aux directives concernant le chargement du modèle M9 ou M11. Si le problème persiste, débranchez le cordon d'alimentation et contactez un technicien de maintenance agréé. (Reportez-vous à la section « Service après-vente ».)
	L'indicateur est obsolète, est inadéquat au cycle de stérilisation ou ne fonctionne pas bien.	Utiliser un indicateur adapté au chargement et au cycle sélectionné, qui a été conservé dans de bonnes conditions. Contacter le fabricant de l'indicateur pour de plus amples renseignements sur le choix, l'utilisation, le stockage et les mauvaises applications ou dysfonctionnements potentiels.
Le joint de porte fuit.	Le joint de porte est endommagé ou sale.	Nettoyez ou remplacez le joint de porte. (Reportez-vous à la section « Entretien hebdomadaire ».)
Les instruments ne sont pas secs à l'issue du cycle de séchage.	Le stérilisateur est mal chargé.	Recharger le stérilisateur conformément aux directives concernant le chargement du modèle M9 ou M11. Si le problème persiste, débranchez le cordon d'alimentation et contactez un technicien de maintenance agréé. (Reportez-vous à la section « Service après-vente ».)
	La(les) crépine(s) des filtres est(sont) obstruée(s). (Vérifier les crépines du filtre de remplissage/de ventilation/d'air)	Nettoyer ou remplacer la(les) crépine(s) de filtre. (Reportez-vous à la section « Entretien mensuel ».)
L'imprimante n'imprime pas.	Le câble de l'imprimante n'est pas bien branché.	Vérifiez que le câble de l'imprimante est branché à l'imprimante.
	Dysfonctionnement du logiciel.	Débranchez le cordon d'alimentation du stérilisateur, attendez 15 secondes et rebranchez le cordon d'alimentation.
	Il n'y a plus de papier dans l'imprimante.	Insérez un nouveau rouleau de papier. (Reportez-vous aux sections « Retrait du rouleau de papier » et « Pose du rouleau de papier ».)
	Le ruban en cassette est sec.	Reportez-vous à la section « Remplacement de la cartouche de ruban de l'imprimante »)

Messages d'information

Le tableau ci-après contient la liste des messages d'informations qui peuvent apparaître lors de l'utilisation.

Message	Cause possible	Solution
INITIALIZING SYSTEM (INITIALISATION DU SYSTÈME)	Le cordon d'alimentation de l'appareil vient d'être branché – message d'information standard.	Le fonctionnement normal est rétabli dans les 4 secondes.
TOTAL CYCLES XXX M9*, VX.X.X (nombre total de cycles XXX M9*, VX.X.X) (*AFFICHERA LE NUMÉRO DE MODÈLE, M9, M11)	Le cordon d'alimentation de l'appareil vient d'être branché – message d'information standard.	Le fonctionnement normal est rétabli après ce message.
PERFORM WEEKLY MAINTENANCE (EFFECTUER L'ENTRETIEN HEBDOMADAIRE)	Ce message s'affiche tous les 7, 14 et 21 jours, lorsque l'appareil a été branché à une source d'alimentation, pour demander à l'utilisateur de procéder à l'entretien hebdomadaire décrit dans ce manuel.	Perform weekly maintenance. (Effectuer l'entretien hebdomadaire.) Ce message s'efface automatiquement à la fin du cycle suivant.
PERFORM MONTHLY MAINTENANCE (EFFECTUER L'ENTRETIEN MENSUEL)	Ce message s'affiche tous les 28 jours pour demander à l'utilisateur de procéder à l'entretien mensuel décrit dans ce manuel.	Effectuez l'entretien mensuel. Ce message s'efface automatiquement à la fin du cycle suivant.

Messages d'erreur

Le tableau ci-après et dans les pages suivantes contient la liste des messages d'informations qui peuvent apparaître lors de l'utilisation.



Attention

Si une erreur se produit plus d'une fois, le stérilisateur doit être arrêté. Mémoriser le message ou le code d'erreur, débrancher l'appareil et appeler un représentant d'un service autorisé (Reportez-vous à la section « Service après-vente ».) Si un message d'erreur comprend : « Items Not Sterile » (Instruments non stériles), les instruments dans l'appareil ne sont pas considérés comme stériles ; un autre cycle de stérilisation doit être lancé.

Message	Cause possible	Solution
C010: POWER UP MODE SYSTEM PWR LOSS (MODE ALIMENTATION COUPURE ALIMENTATION SYSTÈME) ITEMS NOT STERILE (INSTRUMENTS NON STÉRILES) PUSH STOP TO RESTART (APPUYER SUR STOP POUR REDÉMARRER)	Une coupure de courant s'est produite pendant le cycle.	Appuyez sur le bouton STOP (ARRÊT) pour redémarrer.

Suite du tableau à la page suivante...

Messages d'erreur – suite

Message	Cause possible	Solution
CO60: POWER UP MODE SYSTEM HARDWARE (MODE ALIMENTATION MATÉRIEL DU SYSTÈME)	Il y a eu une brève coupure de courant ou une panne interne.	Débranchez le cordon d'alimentation pendant 1 minute et rebranchez-le. Si le problème persiste, contacter un technicien agréé (voir « Service après-vente »).
C102: FILL MODE STOP PRESSED (MODE REMPLISSAGE BOUTON STOP ENFONCÉ)	Le bouton STOP (ARRÊT) a été enfoncé pendant le cycle.	Appuyez sur le bouton STOP (ARRÊT) pour redémarrer.
C103: THROUGH C105 HEATUP, STERILIZE OR VENT MODE STOP PRESSED (JUSQU'À LA CHAUFFE C105, MODE STÉRILISATION OU VENTILATION BOUTON STOP ENFONCÉ)	Le bouton STOP (ARRÊT) a été enfoncé pendant le cycle.	Patientez un instant (jusqu'à une minute), afin que la pression et la température de la cuve se dissipent. Appuyez sur le bouton STOP (ARRÊT) pour retourner en mode Sélectionner cycle afin de lancer un nouveau cycle.
C106: DOOR MODE STOP PRESSED (MODE PORTE BOUTON STOP ENFONCÉ)	Le bouton STOP (ARRÊT) a été enfoncé pendant le cycle.	Appuyez sur le bouton STOP (ARRÊT) pour redémarrer.
C232: FILL MODE WATER LOW (MODE REMPLISSAGE NIVEAU D'EAU FAIBLE)	Le niveau d'eau du réservoir est trop bas.	Remplissez le réservoir d'eau avec de l'eau distillée ou de l'eau répondant aux spécifications de pureté de l'eau référencées. Patienter un instant (jusqu'à une minute). Appuyez sur le bouton STOP (ARRÊT) pour retourner en mode Sélectionner cycle afin de lancer un nouveau cycle.
	Le filtre de remplissage/ventilation (au fond de la cuve) est obstrué.	Nettoyer le filtre de remplissage/ventilation (Reportez-vous à la section « Entretien mensuel ».)
C326: DOOR MODE DOOR CLOSED (MODE PORTE PORTE FERMÉE)	Le dispositif de verrouillage de sécurité de la porte est encore en contact alors que le moteur a démarré.	Ouvrir la porte.
C382: FILL DOOR OPEN (MODE REMPLISSAGE PORTE OUVERTE)	Le stérilisateur détecte que les contacts de la porte se sont ouverts.	Fermer la porte du stérilisateur. (Le cycle reprendra là où il s'est arrêté).
C383: HEATUP MODE DOOR OPEN (MODE CHAUFFE PORTE OUVERTE)	Le stérilisateur détecte que les contacts de la porte se sont ouverts.	Patienter un instant (une minute) que la pression et la température de la cuve se dissipent. Appuyez sur le bouton STOP pour retourner au mode Select Cycle (sélectionner cycle). Lancez un nouveau cycle.
C384: STERILIZE MODE DOOR OPEN (MODE STÉRILISATION PORTE OUVERTE)	Le stérilisateur détecte que les contacts de la porte se sont ouverts.	Débranchez le cordon d'alimentation pendant 1 minute et rebranchez-le. Si le problème persiste, contactez un technicien agréé (voir « Service après-vente »).

Suite du tableau à la page suivante...

Messages d'erreur – suite

Message	Cause possible	Solution
C533 A C633 : STEAM TEMP LOW OU STEAM TEMP HARDWARE OU PRESSURE LOW (TEMPERATURE VAPEUR BASSE OU TEMPERATURE VAPEUR MATERIEL OU PRESSION BASSE)	Le stérilisateur détecte que les contacts de la porte se sont ouverts.	Débranchez le cordon d'alimentation pendant 1 minute et rebranchez-le. Si le problème persiste, contactez un technicien agréé (voir « Service après-vente »).
C642 À C647 PRESSURE HIGH (PRESSION ELEVEE)	La pression de la cuve est en dehors des limites de fonctionnement normal.	Patientez un instant (jusqu'à une minute), afin que la pression et la température de la cuve se dissipent. Appuyez sur le bouton STOP (ARRÊT) pour retourner au mode Sélectionner cycle. Lancez un nouveau cycle.
C660 À C677 PRESSURE HARDWARE (PRESSION MATERIEL) OU PRESSURE OVERLIMIT (LIMITE PRESSION DEPASSEE)	La pression de la cuve est en dehors des limites de fonctionnement normal.	Débrancher le cordon d'alimentation pendant une minute et rebranchez-le. Si le problème persiste, contactez un technicien agréé. (voir « Service après-vente »).
C980 À C987 HI-LIMIT OPEN (HI-LIMIT OUVERT)	Le bouton High Limit (limite supérieure) s'est ouvert d'au moins un quart de tour pendant un mode précis.	Débranchez le cordon d'alimentation pendant 30 minute et rebranchez-le. Si le problème persiste, contacter un technicien agréé (voir « Service après-vente »).

Service après-vente

Remarque

Veillez recopier tous les codes qui s'affichent et communiquer ces informations au technicien de maintenance.

Contactez votre **concessionnaire Midmark** ou consultez le site www.midmark.com/technical-library. Vous devez **préciser le numéro de modèle et le numéro de série** lorsque vous contactez le service après-vente.

Pour contacter directement Midmark :

+1-937-526-3662

8h à 17h HNE (du lundi au vendredi)

[sauf les jours fériés américains]

Caractéristiques techniques

Tableau des caractéristiques : M9

Dimensions physiques :	
Longueur totale avec prise	51,8 cm (20.38 po)
Largeur totale	38,9 cm (15.3 po)
Hauteur totale avec imprimante	40,1 cm (15.8 po)
Zone de compteur	38,9 cm x 45,7 cm (15,3 po x 18 po)
Cuve	22,9 cm (diamètre) x 38 cm (profondeur) (9 po. x 15 po)
Plateau standard, grand format	18,6 cm x 30,5 cm x 2,2 cm (7 5/16 po x 12 po x 7/8 po)
Plateau standard, petit format	14,3 cm x 30,5 cm x 2,2 cm (5 5/8 po x 12 po x 7/8 po)
Poids :	
Poids – réservoir vide	33,1 kg (73 livres)
Poids emballé	36,7 kg (81 livres)
Capacité du réservoir d'eau	4,1 litres (1,1 gallon) jusqu'au niveau max. le volume utilisable est de 1,9 litre (0,5 gallon)
Alimentation électrique :	
<i>Remarque : Un circuit séparé (dédié) est requis pour ce stérilisateur. Le stérilisateur ne doit pas être raccordé à un circuit électrique relié à d'autres appareils ou équipements sauf si le circuit a une capacité pour la charge supplémentaire.</i>	
Modèles 115 V	115 VAC (+/- 10 %), 12 A, 50/60 Hz
Modèles 230 V	230 VAC (+/- 10 %), 6,4 A, 50/60 Hz
Calibre des fusibles :	
115 VAC	F1.....0,25 A, 250 V, Slo-blo, 0,6 x 3,17 cm (1/4" x 1 1/4")
	F2.....15 A, 250 V, Fast Acting, 0,6 x 3,17 cm (1/4" x 1 1/4")
230 VAC	F1.....0,125 A, 250 V, Slo-blo, 5 x 20 mm
	F2.....8 A, 250 V, Fast Acting, 5 x 20 mm
Pression de la cuve à 132 °C (270 °F)	186,2 kPa (27,1 psi)
Réglage de la soupape de sécurité	275,8 kPa (40 psi)
Émission de chaleur	5 000 BTU/h en fonctionnement
Certifications	ASME Boiler & Pressure Vessel Code, Section VIII, Division 1. Numéro d'enregistrement canadien disponible
	UL61010-1, 2 ^e édition IEC 61010-2-040, 1 ^{re} édition CAN/CSA C22.2, No. 61010-1, 2 ^e édition CSA C22.2, No. 61010-2-040-07 Part 2-040, - 1 ^{re} édition

Tableau des caractéristiques : M11

Dimensions physiques :	
Longueur totale avec prise	60,5 cm (23,8 po)
Largeur totale	45,2 cm (17,8 po)
Hauteur totale avec imprimante	45,2 cm (17,8 po)
Zone de compteur	45,2 cm x 53,3 cm (17,8 x 21 po)
Cuve	28 cm (diamètre) x 46 cm (profondeur) (11 po x 18 po)
Plateau standard, grand format	22,9 cm x 38 cm x 2,9 cm (9 po x 15 po x 1 1/8 po)
Plateau standard, petit format	16,8 cm x 38 cm x 2,9 cm (6 5/8 po x 15 po x 1 1/8 po)
Poids :	
Poids – réservoir vide	44,9 kg (99 livres)
Poids emballé	59,4 kg (131 livres)
Capacité du réservoir d'eau	5,3 litres (1,4 gallon) jusqu'au niveau max. le volume utilisable est de 3,8 litres (1,0 gallon)
Alimentation électrique :	
<i>Remarque : Un circuit séparé (dédié) est requis pour ce stérilisateur. Le stérilisateur ne doit pas être raccordé à un circuit électrique relié à d'autres appareils ou équipements sauf si le circuit a une capacité pour la charge supplémentaire.</i>	
Modèles 115 V	115 VAC (+/- 10 %), 12 A, 50/60 Hz
Modèles 230 V	230 VAC (+/- 10 %), 6,4 A, 50/60 Hz
Calibre des fusibles :	
115 VAC	F1.....0,25 A, 250 V, Slo-blo, 0,6 x 3,17 cm (1/4" x 1 1/4")
	F2.....15 A, 250 V, Fast Acting, 0,6 x 3,17 cm (1/4" x 1 1/4")
230 VAC	F1.....0,125 A, 250 V, Slo-blo, 5 x 20 mm
	F2.....8 A, 250 V, Fast Acting, 5 x 20 mm
Pression de la cuve à 132 °C (270 °F)	186,2 kPa (27,1 psi)
Réglage de la soupape de sécurité	275,8 kPa (40 psi)
Émission de chaleur	5 000 BTU/h en fonctionnement
Certifications	ASME Boiler & Pressure Vessel Code, Section VIII, Division 1. Numéro d'enregistrement canadien disponible
	UL61010-1, 2 ^e édition IEC 61010-2-040, 1 ^{re} édition CAN/CSA C22.2, No. 61010-1, 2 ^e édition CSA C22.2, No. 61010-2-040-07 Part 2-040, - 1 ^{re} édition

Spécifications de pureté de l'eau

Tableau des spécifications de pureté de l'eau	
	AAMI ST-46 (réf.)
Résidus d'évaporation	≤ 15 mg/l
Silice	≤ 2 mg/l
Fer	≤ 0,2 mg/l
Cadmium	≤ 0,005 mg/l
Plomb	≤ 0,05 mg/l
Métaux lourds autres que le fer, le cadmium, et le plomb ¹	≤ 0,1 mg/l
Chlorure	≤ 3 mg/l
Phosphate	≤ 0,5 mg/l
Conductivité (à 20 °) ²	≤ 50 µs/cm
pH	6,5 à 8
Apparence	Incolore, propre, sans sédiments
Dureté	≤ 0,1 mmol/l (0,585 g/gal)

Renseignements sur la garantie

CADRE DE GARANTIE Midmark Corporation (« Midmark ») s'engage auprès de l'acquéreur initial à réparer ou à remplacer les produits de santé animale fabriqués par Midmark (hormis les produits et les composants non garantis en vertu des « Exclusions ») qui sont défectueux au niveau du matériel ou de la qualité d'exécution dans des conditions normales d'utilisation et de service. Le seul recours admissible aux termes de la présente garantie limitée est la réparation ou le remplacement des produits ou composants concernés, au gré de Midmark. La présente garantie limitée ne s'applique qu'aux défauts : (i) signalés à Midmark durant la période de garantie applicable et (ii) dont Midmark détermine après examen qu'ils existent. La présente garantie limitée s'étend au seul acquéreur initial d'un produit et n'est ni transférable, ni cessible.

PÉRIODE DE GARANTIE APPLICABLE La période de garantie applicable est d'un (1) an pour tous les produits et composants couverts par la garantie, à compter de la date de facturation à l'acheteur au détail initial du produit.

OBTENTION DU SERVICE DE GARANTIE Le service de garantie doit être mis en œuvre par Midmark ou un distributeur agréé de la ligne de produits de Midmark pour laquelle le service de garantie est requis. Les demandes ou questions liées au service de garantie Midmark peuvent être adressées par courrier électronique sur www.midmark.com ou par courrier à Midmark Corporation, 60 Vista Drive, Versailles, Ohio 45380 ou par téléphone au : 1-800-MIDMARK.

L'acquéreur a l'obligation de prendre ses dispositions auprès de Midmark ou de tout revendeur agréé pour mettre en place un service de garantie, service qui est à la charge de l'acquéreur. L'acquéreur est également dans l'obligation de se conformer aux instructions du service de garantie fourni par Midmark ou son distributeur agréé. L'acquéreur doit fournir à Midmark les renseignements relatifs à l'enregistrement de la garantie dans les trente (30) jours consécutifs à l'achat afin de pouvoir jouir de la présente garantie limitée.

EXCLUSIONS Midmark ne peut être tenu pour responsable des cas suivants, qui ne sont pas couverts par la présente garantie limitée :

- (1) les malfaçons, dommages ou autres conditions provoquées, en tout ou en partie, par une utilisation abusive ou incorrecte, une négligence, une modification, un accident (y compris les agissements des animaux de toute nature), des dommages subis pendant le transport, une altération ou une demande de réparation ou de remplacement hors délais ;
- (2) la correspondance de couleur, de grain ou de texture, hormis selon les normes commerciales acceptables ;
- (3) les changements de couleur causés par la lumière naturelle ou artificielle ;
- (4) les produits qui ne sont pas installés, utilisés, nettoyés et entretenus correctement conformément aux manuels d'installation et de fonctionnement du produit concerné (le produit d'imagerie doit être installé par un installateur Midmark certifié) ;
- (5) les produits considérés comme étant de nature consommable ;
- (6) les accessoires ou pièces n'étant pas fabriqués par Midmark ;
- (7) les produits fabriqués en réponse à une commande spéciale ;
- (8) les frais appliqués par quiconque (y compris des revendeurs agréés de Midmark) pour des réglages, des réparations, des pièces de remplacement, l'installation ou toute autre tâche accomplie sur ou en rapport avec lesdits produits, qui ne sont pas expressément autorisés au préalable et par écrit par Midmark ;
- (9) les frais d'entretien et de nettoyage ordinaires ;
- (10) tous les éviers, robinets et accessoires de plomberie ;
- (11) les représentations et garanties données par toute autre personne ou entité que Midmark ; et
- (12) par rapport à un logiciel qui est un produit ou un composant correspondant, que le logiciel sera sans erreur, qu'il pourra être utilisé sans problème ni interruption ou qu'il ne sera pas vulnérable à une intrusion ou à une attaque par des virus ou autres méthodes.

RECOURS EXCLUSIF ; AVIS DE NON-RESPONSABILITÉ POUR LES DOMMAGES INDIRECTS ; l'unique obligation de Midmark dans le cadre de cette garantie limitée est la réparation ou le remplacement des pièces défectueuses. Midmark ne peut être tenu pour responsable ou décline par la présente toute responsabilité pour tout retard ou dommage direct, particulier, indirect, accidentel, exemplaire ou consécutif, y compris, sans s'y limiter, les dommages relatifs à une perte de bénéfice ou de revenu, une perte d'usage, un temps d'indisponibilité, une couverture et les salaires, paiements et avantages sociaux d'employés ou d'entrepreneurs indépendants. Cette exclusion survivra à tout manquement ou manquement allégué au but essentiel de cette garantie limitée ou à ses recours prévus.

AUCUNE AUTORISATION Aucune personne ou société n'est autorisée à créer ou approuver d'autres obligations ou responsabilités pour Midmark en rapport avec les produits Midmark.

DOCUMENT DE GARANTIE : CETTE GARANTIE LIMITÉE EST LA SEULE GARANTIE DE MIDMARK ET REMPLACE TOUTES LES AUTRES GARANTIES EXPLICITES OU IMPLICITES. MIDMARK N'ACCORDE AUCUNE GARANTIE IMPLICITE D'AUCUNE SORTE, Y COMPRIS LES GARANTIES IMPLICITES DE COMMERCIALISATION OU D'ADAPTATION POUR UNE UTILISATION PARTICULIÈRE.

PRESCRIPTION Aucune action ne peut être portée contre Midmark pour violation de la présente garantie limitée, d'une garantie implicite, le cas échéant, ou pour toute autre revendication découlant de ou relative aux produits, plus de quatre-vingt-dix (90) jours après expiration de la période de garantie. Dans l'éventualité selon laquelle il existerait plusieurs périodes de garantie relativement à un produit, la période de quatre-vingt-dix (90) jours prévue par les présentes commence à courir à compter de la date d'expiration de la période de garantie du composant auquel est associée la revendication.

DIVISIBILITÉ Si l'une des dispositions de cette garantie limitée est déclarée nulle ou inapplicable : (i) la disposition devra être appliquée de la manière se rapprochant le plus de son intention initiale tout en traitant l'invalidité ou la non-applicabilité et (ii) l'équilibre de la présente garantie limitée, étant dissociable, doit rester inchangé si la disposition nulle ou inapplicable ne peut pas être exécutée de quelque manière que ce soit.

Remarques :

Midmark Corporation

60 Vista Drive

Versailles, OH 45380 États-Unis

1-800-643-6275

+1-937-526-3662



Because we care.