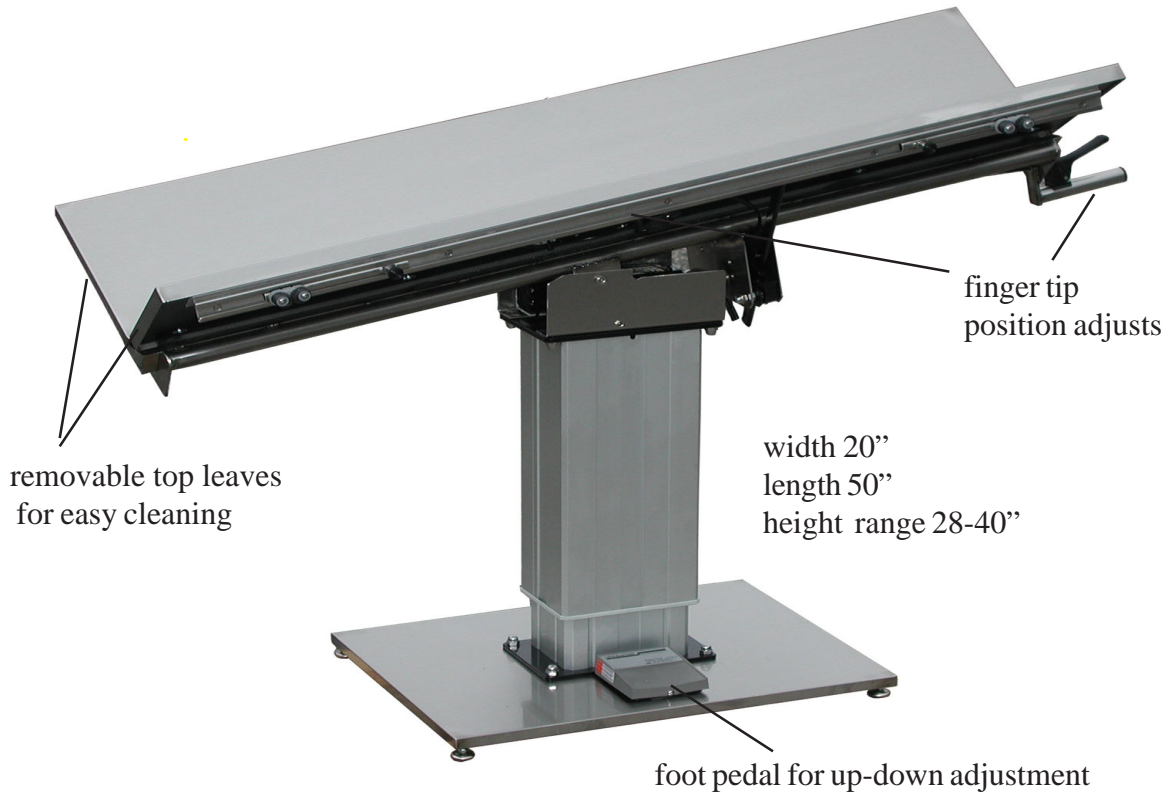


# V-Top Surgery Table

By Technidyne



## V-Top Surgery Table With Electric Height Adjustment

- Raises and lowers electrically with foot pedal
- Tilts 0- 30 deg. end to end and 0 - 90 deg. "V" - both with fingertip lever control
- Uses battery (rechargeable) power to eliminate cords on floor
- Especially designed to be convenient for sit-down surgery as well as stand-up
- 4 quick-release restraints are attached to underside of table and can be easily positioned and locked
- Heater with digital temperature readout available, ( battery operation not available with heater option).
- Removable stainless top leaves for easy cleaning
- 3 year warranty

**TECHNIDYNE CORPORATION**

**2190 ROUTE 9, UNIT D2**

**TOMS RIVER, N.J. 08753**

[www.technivet.com](http://www.technivet.com)

**1-800-654-8073**