

ACCESSORIES



www.BionetUS.com
714-734-1760
support@BionetUs.com

BIONET BM Pro Series (BM3Vet Pro / BM5Vet Pro / BM7Vet Pro)

** Optional items*



3-Lead Vet ECG Cable
Item Code: B-WIRE-N



3-Lead ECG Extension Cable
Item Code: B-CBL-EP



*5-Lead Vet ECG Cable
Item Code: B-AECG5



*5-Lead ECG Extension Cable
(For BM3Vet Pro only)
Item Code: B-CBL5-N



Esophageal Probe with 3-Lead ECG and Temperature(XS/S/M)
Item Code: B-EPRB-XS/S/M



Temperature Probe (Rectal/Esophageal)
Item Code: TEM-PRV-R



Print Paper
Item Code: BM-PP



USB WiFi Dongle (2.4GHz)
Item Code: USB-WIFI24



NIBP Extension Tube (3m)
Item Code: B-NBPCBL



Reusable NIBP Infant Cuff
Cuff Size Range: 9 to 14.8cm
Item Code: B-ICUFF



Disposable NIBP Neonate Cuff (Size #1- #5)
Item Code: B-NCUFF1~5



*Reusable NIBP Pediatric Cuff
Cuff Size Range: 13.8 to 21.5cm
Item Code: B-PCUFF



*Reusable NIBP Child Cuff
Cuff Size Range: 20.5 to 28.5cm
Item Code: B-CCUFF



Multisite SpO2 Probe
Item Code: B-SPO2-V



Transflectance SpO2 Probe
Item Code: B-SPO2-R



SpO2 Extension Cable
Item Code: B-SPCBL-N

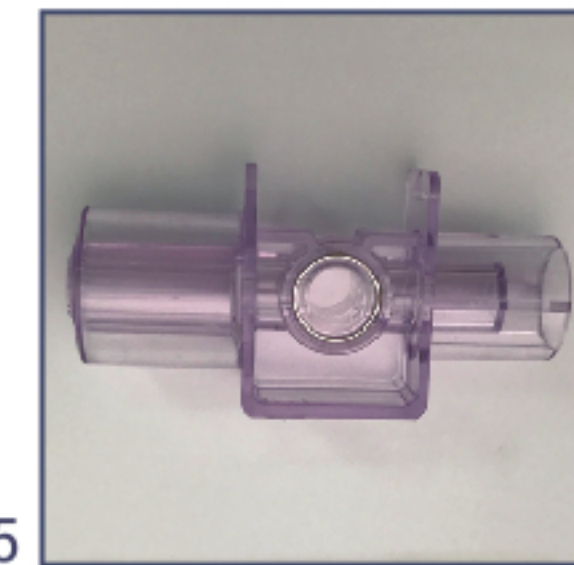
EtCO2 Mainstream



*CAPNOSTAT5 Mainstream CO2 Sensor
Item Code: B-RMCO2



*Mainstream Disposable Adult Airway Adapter :
ET Tube > 4mm
Item Code: 6063-00

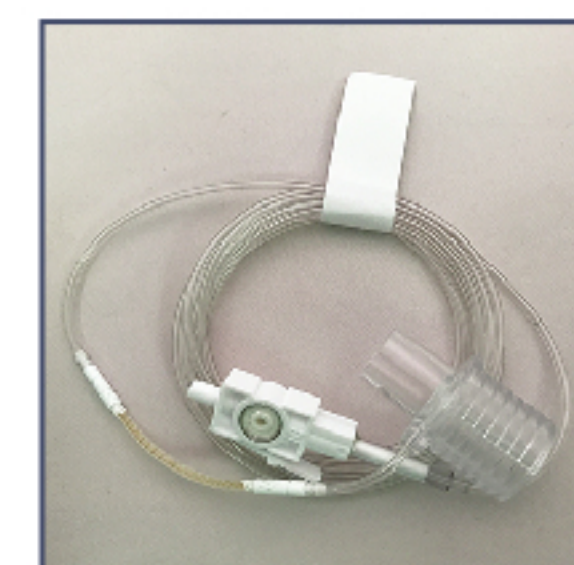


*Mainstream Disposable Neonatal Airway Adapter:
ET Tube < 4mm
Item Code: 6312-00

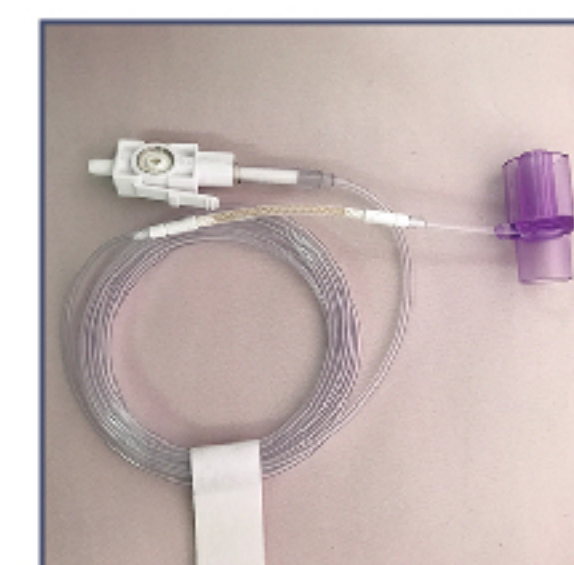
EtCO2 Sidestream



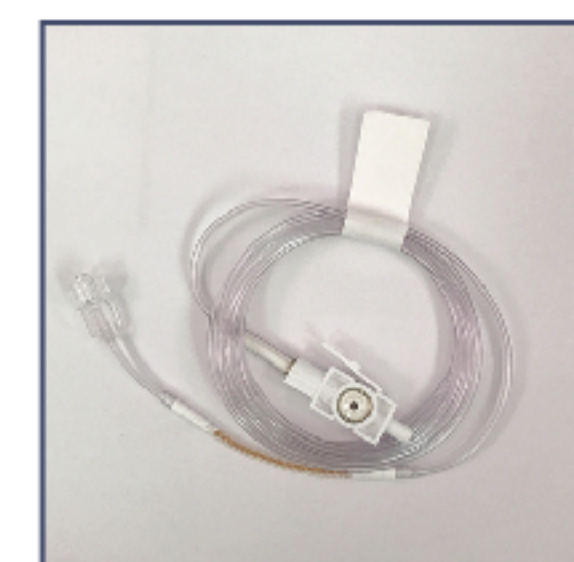
*LOFLO Sidestream CO2 Sensor
Item Code: B-RSCO2-V



*Sidestream Airway Adapter Kit with Sampling Line - Adult/Pediatric
Item Code: 3473ADU-00



*Sidestream Airway Adapter Kit with Sampling Line - Infant/Neonate
Item Code: 3473INF-00

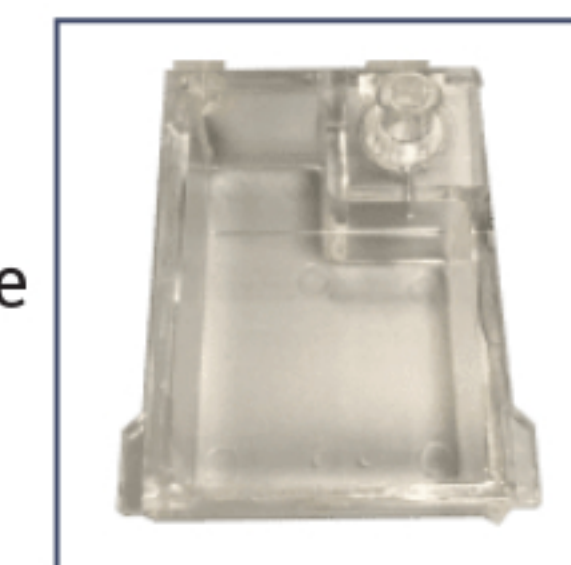


*Sidestream Sampling Line with Male Luer Adapter
Item Code: 3475-00

Dual Gas Module



*Dual Gas Module
Item Code: DG-SENSOR



*Water Trap
Item Code: DGA-WT



*Sample Line with Luer Lock (8')
Item Code: DGA-SL



*Airway Adapter (Straight)
Item Code: DGA-AAS



*Airway Adapter (L type)
Item Code: DGA-AAL

Multi Gas Module



*IRMA AX + Multi-Gas Module
Item Code: IRMA-AX+



*IRMA Airway Adapter (Adult/Pediatric/Infant)
Item Code: 106220-ADU (Adult/Pediatric)
106260-INF (Infant)



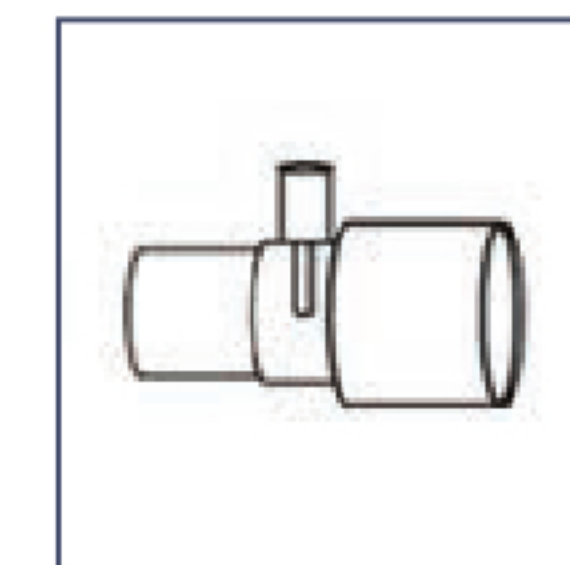
*ISA OR + Multi-Gas Module
Item Code: ISA-OR+



*ISA AX + Multi-Gas Module
Item Code: ISA-AX+



*Nomoline Adapter
Item Code: 108220-FL



*Nomo Extension
Item Code: 108240-EXT



*T-Adapter
Item Code: 108250-ADU

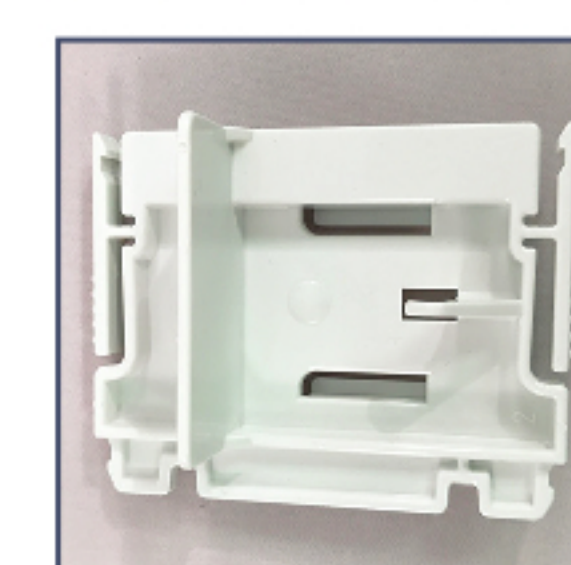
IBP (For BM5Vet Pro / BM7Vet Pro only)



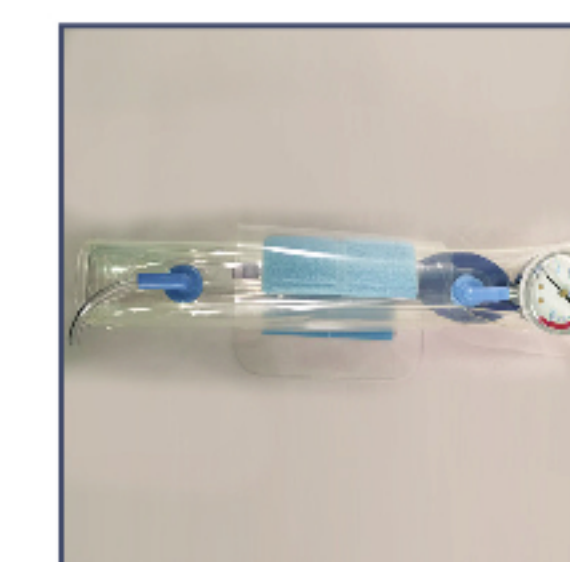
*TranStar® Reusable Single Channel Cable
Item Code: MX95114



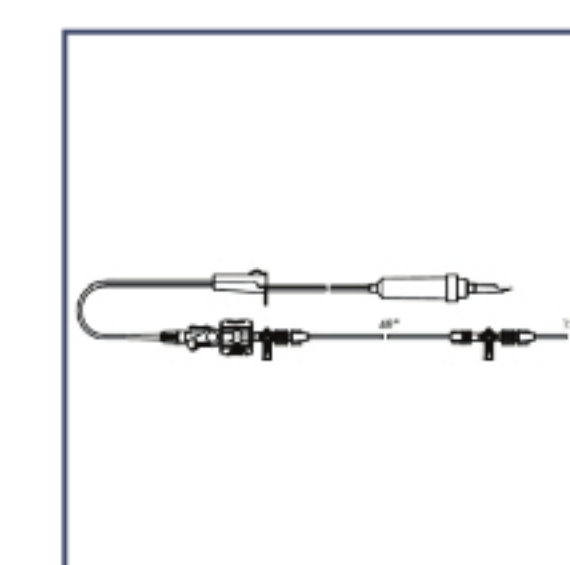
*Modular Transducer Mounting Plate (1 each)
Item Code: MX800



*Pole Clamp for Mounting a Transducer plate (fits 3/4" to 1-1/2" I.V. pole)
Item Code: MX240



*C-Fusor® 1000ml Pressure Infuser
Item Code: MX4810



*TranStar® 60" Single Line Monitoring Kit
Item Code: MX9504T