



Dental System Operating Manual



iM3 Pro 2000 Ultra

LED

iM3 Inc
12119 NE 99th Street, Suite 2060
Vancouver WA 98682 USA
Tel (360) 254 2981 Fax (360) 254 2940

iM3 Pty Ltd
9/31-33 Chaplin Drive
Lane Cove NSW 2066 Australia
Tel (02) 9420 5766 Fax (02) 9420 5677

www.im3vet.com
Email: inquiries@im3vet.com

2010

TABLE OF CONTENTS

iM3 Dental System Unique Design Features.....	3
Professional 2000 Control Panel Guide.....	4
Getting Started.....	5-6
iM3 Distilled Water and CLS Enviro Solution Supply.....	7
iM3 Filtration System.....	8
CLS Flushing System.....	8
LED handpiece Hygiene head system	8
iM3 Suction System.....	9
3 Way Air Water Syringe.....	10
Ultrasonic Scaler Coolant Outlet.....	10
Low Speed Handpiece	11
Low Speed attachments and operation.....	12-13
High Speed LED Handpiece	14
iM3 Dental System Bur Kits & Rodent Kit.....	15
Handpiece Pressure Adjustment.....	16
Handpiece Lubrication.....	17
Handpiece Sterilization.....	18
Handpiece Maintenance.....	19
Silent Hurricane Oil Free Compressor	20
Identifying Air Leaks.....	20
Compressor component diagram	21
Adjusting Regulator Pressure.....	22
Compressor maintenance	23
Trouble Shooting;	
High Speed Handpiece	24
Cartridge Valve replacement	24
Low Speed Handpiece.....	25

iM3 Operator Safety

iM3 Dental equipment is for animal use only and should be operated by a qualified person

For operator safety, it is recommended that safety goggles or visor, face mask and surgical gloves be worn during all procedures.



iM3 recommends the dental DVD “Open Up” is watched prior to operating iM3 Equipment. The DVD is available from iM3, and included with this machine.

Unique Design Features

iM3 Dental Systems are designed with unique and practical features to make your work even more satisfying and productive. Please note; some features listed below, may be optional depending on the system you purchase.

Storage Area

The Corian[®] top is a non-porous work surface which is easy to sanitize. It incorporates a magnetic bur holder so that burs won't fall on the floor during procedures. The Corian[®] top opens to reveal a storage area capable of holding your dental accessories. The control box is made from powder coated aluminum that won't warp or deteriorate with age.

Color Coded System

All supply lines on iM3 Dental Systems are color coded to simplify service requirements.

Maintenance Instructions

All maintenance instructions are conveniently printed on the units, helping the operator keep the system in good working order.

Power Board

A four outlet electric power board is conveniently located on the side of the control panel.

Adjustable Stainless Steel Stand

The iM3 stand is made from high quality Stainless Steel and is height adjustable for work and ease of storage.

Ultrasonic Scaler Coolant Outlet

The ultrasonic scaler coolant outlet is mounted conveniently underneath the control box, to allow for the use of CLS to supply the coolant to your Ultrasonic Dental Scaler.

CLS Enviro System

CLS Enviro System is an ingenious occupational health and patient safety system. CLS is designed to help reduce the risk of atmospheric pollution and the transfer of viruses, such as FIV from patient to patient and reduce unpleasant mouth odors.

Flush System

The Flush System enable CLS at a press of a button to enter the HSI or HS2 air line. The foot control pedal is depressed after pressing the flush button, pushing the CLS into the head of the handpiece, helping to sanitize the turbine and head of the handpiece. Excess CLS is caught in the collection bottle mounted underneath the control box from the exhaust air line.

Particle Filters and Bacterial Filters

Particle Filters and bacterial filters are installed on iM3 Dental Systems to help reduce particles entering the water supply and reduce unpleasant environmental odors.

Suction System

This air driven suction system can be autoclaved (handpiece only) and is an extremely important tool in the removal of debris from the back of the mouth after scaling.

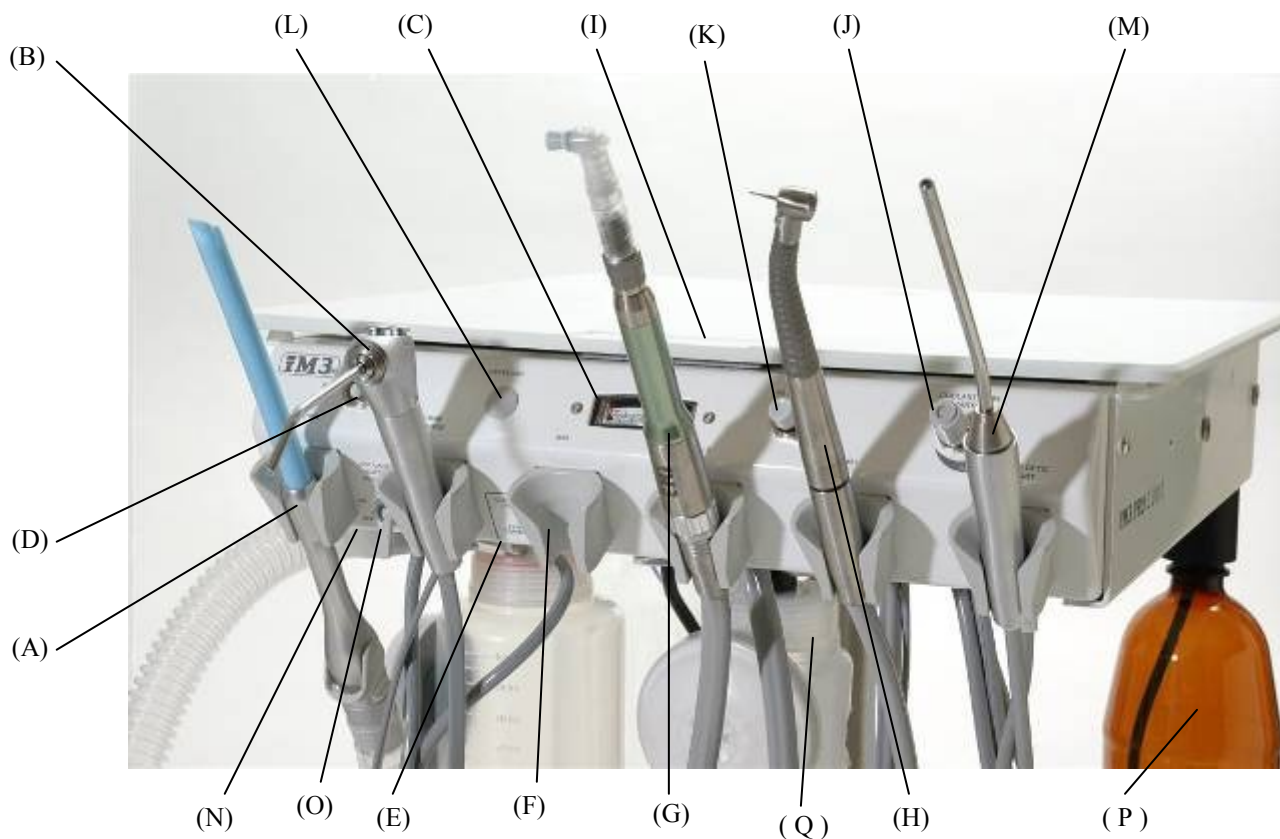
Auto Handpiece Holders

The iM3 Dental system is fitted with an "auto" handpiece system. The system automatically allows the selected handpiece to operate when the foot pedal is depressed.

Silent Hurricane Oil Free Compressor

It is usually advisable to fit the Silent Hurricane Compressor to the unit due to of the additional air consumed by the suction—an external compressor may not be able to cope with its additional air demand.

iM3 Professional 2000 Control Panel

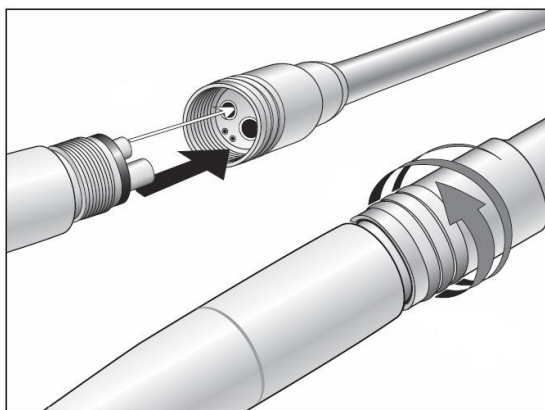


- (A) Powerful Suction Unit and Collection Container.
- (B) 3 Way Air/Water Syringe.
- (C) Handpiece Pressure Gauge.
- (D) Selector Water/CLS Switch.
- (E) Water Flow Control for High Speed Handpiece no.2.
- (F) Second High Speed Handpiece (optional)
- (G) Low Speed Handpiece.
- (H) High Speed Handpiece no.1.
- (I) Magnetic Bur Holder.
- (J) Water Flow Control for High Speed Handpiece no.1.
- (K) High Speed Handpiece no.1 CLS Flush Button.
- (L) High Speed Handpiece no.2 CLS Flush Button.
- (M) Fiber Optic Light wand
- (N) Coolant Outlet for Ultrasonic Scaler (underneath front panel)
- (O) On/Off Pressure switch for Coolant .
- (P) Brown bottle for CLS solution
- (Q) Collection bottle with Bacterial filters for handpiece exhaust air.



Getting Started

1. Attach all four castor wheels to the Stainless Steel Base.
To prevent compressor oil flooding the motor, take care not to tilt the unit more than 45° in any direction
2. Loosen the stand height adjustment knob and lift the control box to working height. Tighten the stand height adjustment knob to secure.
3. Screw on the High Speed Handpiece and Suction waste collection containers under the control panel.
4. Fill the clear plastic water bottle with distilled water and screw into the holder with the blue tubing, do not over tighten.
5. If using the CLS Enviro System. Fill the amber plastic bottle with the CLS Concentrate Solution (8.5oz or 250 ml) and dilute with distilled water (25.4oz or 750ml) to make a 33.82 oz or 1 litre solution. Screw the bottle into the holder with the green tubing. Do not over tighten.
6. Suction. Attach one end of the clear corrugated tubing to the inlet above the suction waste container. Fit the suction handpiece and evacuator tip to the corrugated tubing and place in the suction handpiece holder. Make sure the handpiece valve is in the open position, pointing down.
7. Place the 3 way air/water syringe in its handpiece holder.
8. Assemble the handpieces according to the manufacturers instructions. Screw the gray handpiece air/water line onto the handpiece and place in correctly labeled handpiece holder on the dental system.



9. Place Fiber Optic Light wand in its handpiece holder.
10. Connect quick disconnect line (gray plastic) to compressor outlet tap,
11. Plug the unit into an electrical outlet and turn ON.



Getting Started

13. Turn on the compressor and allow to pressurize, (see page 24.).
 14. Make sure your compressor is set to deliver the correct working pressure. The air pressure regulator gauge should read 80 psi(5.5Bar). If adjustment is required, please see page 26. for compressor pressure adjustment instructions.
 15. Place foot control pedals on the floor in front of the unit. The round foot pedal operates the handpieces and the round back foot pedal marked "suction" operates the suction.
 16. Check handpiece operation:
 - a) Remove suction handpiece from holder and make sure the grey flow control on the handpiece is in the down or open position depress suction foot pedal, .
 - b) Remove High Speed Handpiece 1 (HS1) from holder and depress handpiece foot pedal.
 - c) Remove Low Speed Handpiece from holder and depress handpiece foot pedal.
 - d) Remove High Speed Handpiece 2 (HS2) from holder and depress handpiece foot pedal. (HS2 is optional)
 - e) Remove Fiber Optic Light from holder and check the light source is functioning.
- NOTE: The elite is fitted with automatic handpiece holders. Only one handpiece (LS or HS) can be used at any one time. If both handpieces are removed from the holder neither HP will function correctly as they will have low air pressure.**
17. Adjust individual handpiece pressure if required, (see page 19). Each handpiece has a specific operating pressure which may vary from brand to brand.
 18. Pressurize Water System by moving the Water System Switch to ON, located on the control panel of the Pro 2000. Page 4 (O)
Important. When filling distilled water and/or CLS Enviro bottles de-pressurize the water system, (see page 4 (O)). Check water and air supply to the 3 way air water syringe. Depress the right hand button for air and left hand button for water or both together for mist.
 19. Open the flow control for the High Speed Handpiece Water System switch located on the front of the control panel. This ensures water supply to the high speed handpieces. Page 4 (J)
 20. Water Volume. Remove High Speed Handpiece no.1 (HS1), from holder and depress foot pedal. Adjust Water Spray Volume to a fine mist by rotating the flow control knob, see page 4 (J).
Repeat for High Speed Handpiece no.2 (HS2) if connected. Page 4 (F)

Please observe manufacturers handpiece maintenance instructions for maximum handpiece life.

iM3 Distilled Water and CLS Enviro Solution Supply

Each iM3 dental system is supplied with a clear coolant water bottle which should be filled only with distilled water to assist in preventing mineral or bacteria build up in the handpieces. This water bottle supplies the high speed handpieces, 3 way air water syringe and ultra sonic scaler coolant outlet .

The CLS Enviro Solution supply and water system allows you to choose between distilled water or CLS Solution at the flick of a switch, depending on the dental procedure you wish to perform. The CLS solution contains chlorhexidine which is light sensitive and should be kept in the amber bottle provided.

The coolant system for your iM3 dental system, has been preset at 20 psi

Refilling Coolant Bottles

To refill the distilled water or CLS solution, flip the pressure switch on your dental system to OFF - depressurizing the system. After the system has been depressurized, unscrew the bottle and refill with either distilled water or CLS Enviro Solution. After filling the coolant bottle screw it back into the holder and flip the pressure switch to ON, repressurizing the system.

DO NOT OVERTIGHTEN THE BOTTLES.

Please Note: When the day's dental procedures are complete, flip the pressure ON/OFF switch to the OFF position, depressurizing the coolant bottles for storage.

Cleaning

Bottles may be sterilized with ethylene oxide or by chemical sterilization.

Here's what Dr Jeanie Hawkins, DVM, Diplomat AVDC had to say about CLS Solution and the Auto Flush System.....

“Having CLS Solution at my fingertips to flush periodontal pockets is a real plus. iM3® is the only company to address the problem of cleaning the airlines and high speed handpieces of scalers by using a moment button to release CLS Solution into the airline.”

Note:

The use of other Chlorhexidine solutions may cause crystal deposits in handpieces and valves. Use of such solutions will void the warranty.

Do not dilute CLS beyond the recommended label instructions, as it may result in crystal deposits forming and blocking of handpieces and valves.

iM3 Filtration System

Water and CLS Enviro Solution Supply

Inline filters in the supply bottles help prevent particles from entering the system and blocking handpieces. These filters are located in the distilled water and CLS Enviro bottles.

The inline filters will need to be checked and replaced if they appear dirty.

The use of distilled water is mandatory in the water bottles, as local water may clog the system and can corrode the brass valves in the system, apart from the risk of a bacterial build up.

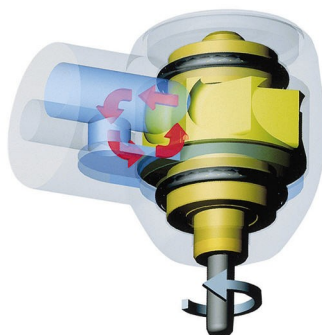
Note: Failure to use distilled water will void the iM3 machine warranty.



iM3 Hygiene head system

The turbine in most high speed handpieces continues to revolve for a few seconds after use and acts as a miniature centrifugal pump, sucking back air and water containing mouth viruses and bacteria into the head of the handpiece.

The unique patented design of the iM3 Advantage LED HS handpiece prevents this taking place.



iM3 Advantage Turbine for High Speed Hand-

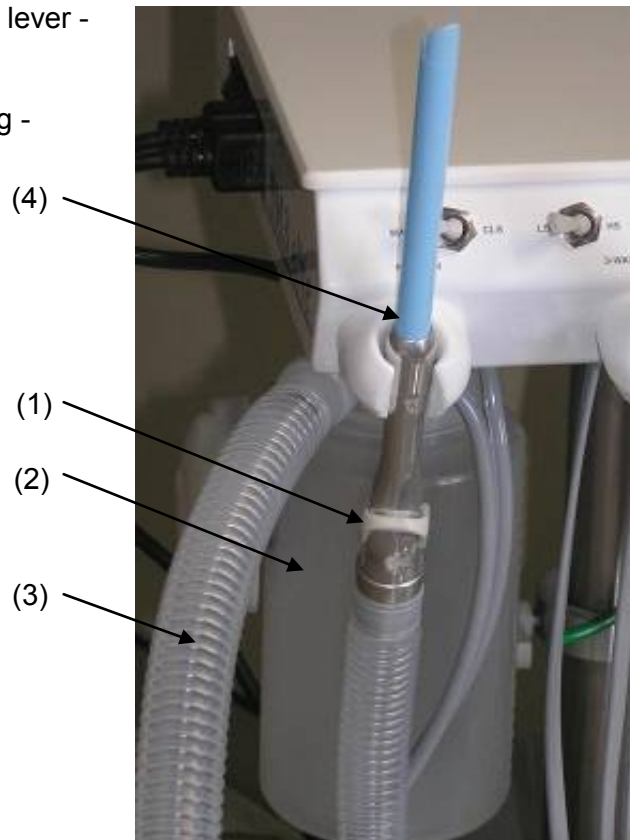
Note: The use of other chlorhexidine solutions may cause crystal deposits in handpieces and valves. Use of such solutions will void the warranty. Do not dilute CLS beyond the recommended label instructions, as it may result in crystal deposits forming and block handpieces and valves. Chlorine in water will cause chlorhexidine to flocculate—use only distilled water.

iM3 Suction System

The iM3 suction system is a high volume air-venturi suction system, that is designed as an integral part of the dental system.

The unit consists of:

- (1) Suction handpiece & suction control lever - Autoclavable
- (1) Collection container
- (3) Clear corrugated smooth bore tubing - Autoclavable
- (4) Autoclavable suction tip, small (white) and large (Blue)



Cleaning

It is recommended that cleaning be carried out after use.

3 Way Air/Water Syringe

Your choice of air, water, or fine mist spray. Depress the right-hand button for air (a) and the left-hand button for water (b) and both for a fine mist (a&b).

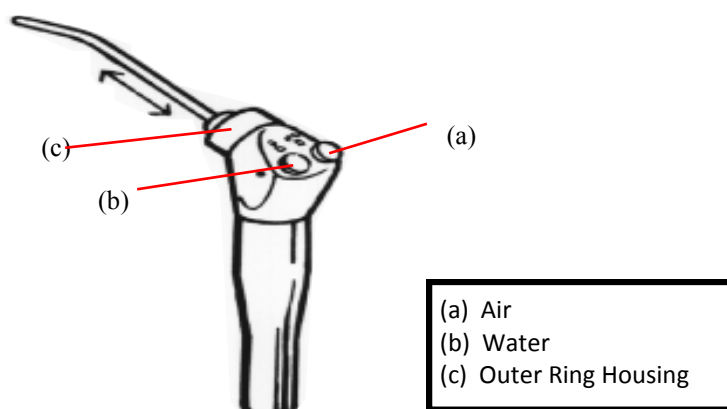
The 3 Way Syringe is ideal for flushing away debris during prophys or drying areas during endodontic procedures.

The selector switch, page 4 (d), allows you to choose either distilled water or CLS Enviro Solution.

Tip Removal

The tip of the 3 Way Syringe may be removed for cleaning and autoclaving.

Simply depress the outer ring housing (c) and remove the tip. (See diagram below).



Ultrasonic Scaler Coolant Outlet

The ultrasonic coolant outlet is located underneath the 3 way air/water syringe. Page 4 (N)

This outlet provides coolant under pressure for an ultrasonic scaler. You can choose between water or CLS Enviro Solution by setting the selector switch, page 4 (d).

iM3 Advantage Low Speed Handpiece L6200

The low speed handpiece features include a light weight balanced profile and smooth swivel action. Its vane type power system is quiet and vibration free. The motor accommodates both doriot or ISO heads and its powerful torque is suitable for all low speed procedures. The Low speed Motor operates at 20,000 RPM at a delivery pressure of 40 psi.



Operation Recommendations

Air pressure The dental unit air pressure should be adjusted to be 40 psi See page 16

Lubrication To assure optimal performance and life the handpiece should be lubricated daily with MD-30 oil lubricant. Instructions for lubrication are found on page 20.

Air supply Moist or dirty air from the compressor can cause damage. Check the regulator filter regularly. If dirt or moisture is present, replace the regulator filter and bleed the system, to remove water or oil.

Installation Instructions

1. Preset the air pressure to 40 psi (see page 16)
1. Connect the low speed handpiece to the grey handpiece line
2. Fit the 4:1 Advantage straight nose cone. Attach the Blue R&R oscillating prophylaxis head
3. Depress the foot control fully to operate the low speed handpiece

Note: Polishing should be carried out at 5,000 rpm or less. This can be accomplished by running the motor at full revs (20,000 Rpm) and use a 4:1 reduction head, to achieve 5,000 revs, maintaining torque.

iM3 Low Speed Handpiece Attachments

(1) 4:1 Advantage Straight Nose Cone Attachment L6250

The reducing head is designed for polishing (prophy). The speed of the polishing cup should be maintained at less than 5,000 r.p.m. The reducing attachment therefore allows the motor speed and torque to be maintained while reducing the polishing speed. iM3 disposable oscillating prophy angles are fitted to the SNC. They won't trap muzzle hair, or generate excessive heat.

(iM3 R&R prophy cup Code L7465)



(2) 1:1 Straight Nose Cone Attachment Blue Band

For (HP burs) and the use with the iM3 rodent kit. This includes a soft tissue protector with diamond bur and diamond disc.



(3) Diamond Saw Attachment

This saw blade may be single or double sided and operates in the 1:1 attachment blue band straight nose cone on the low speed handpiece. It should always be used with a guard.



(4) Prophylaxis Paste

iM3 recommends the use of iM3 R&R individual tub prophylaxis paste. The paste contains no fluoride or flavor oils. It is a medium grit suitable for use with the R&R prophylaxis cups.



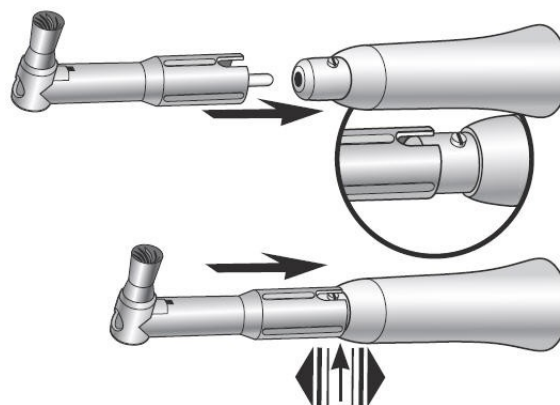
Advantage Low Speed Motor and 4:1 straight Nose Cone

See operating instructions supplied with iM3 low speed handpiece

Fitting R&R Propy Cups (L7465)

Place the R&R prophy angle over the chuck housing on the 4:1 SNC making sure the slot in the R&R lines up with the small screw in the side of the chuck housing.

See picture to right.



High Speed Handpiece

LED Advantage HS HP L5200



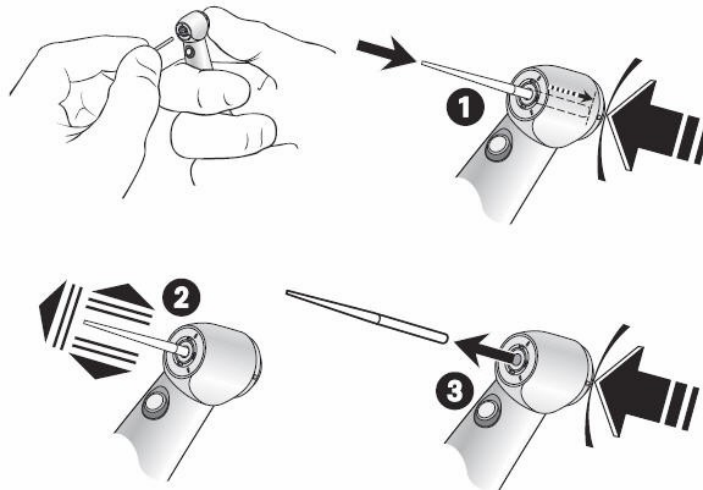
Push Button

The High Speed Handpiece is designed to operate at a pressure of 40 psi at the handpiece and at speeds of up to 350,000 rpm. A very light touch is necessary as handpieces operates with very low torque and high speed. Pressure on the handpiece of 30gms (1ounce) or more, will cause the bur to stall.

Note: All handpieces should be lubricated prior to use with iM3 MD-30

Bur Replacement - Push Button

1. Activate the press button and at the same time insert the bur until it reaches the limit stop
2. Check secure location by applying slight axial tension.
3. Remove the bur by pushing the pres button.



!!! WARNING !!!

Read Operating Manual supplied with Handpiece before using.

iM3 Dental Systems

iM3 Dental System Bur Kits

There are three Bur Kits in the iM3 range, the F.G. Dog (Friction Grip), F.G. Cats, and H.P. (Handpiece Burs). Each kit contains 10 burs of various sizes and applications. Each bur has been selected by a specialist Veterinary Dentist. Each iM3 Bur Kit comes complete with a suggested application guide. Each bur carries individual re-order codes and can be ordered in packs of five. The blue holder is autoclavable and prevents the burs falling out.

Autoclavable Bur Kits



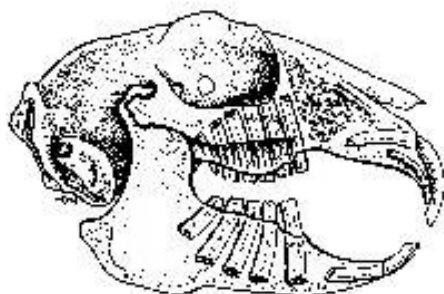
Feline FG Bur kit
(Order code) D7530



Canine FG Bur kit
(Order code) D7510



HP Bur kit
(Order code) D7540
44.5mm Long



The iM3 Rabbit/Rodent Soft tissue kit comes complete with Long diamond bur and soft tissue protector and diamond disc with safety shield. Complete Kit (optional)
Code: AUS D2245 & US D9245

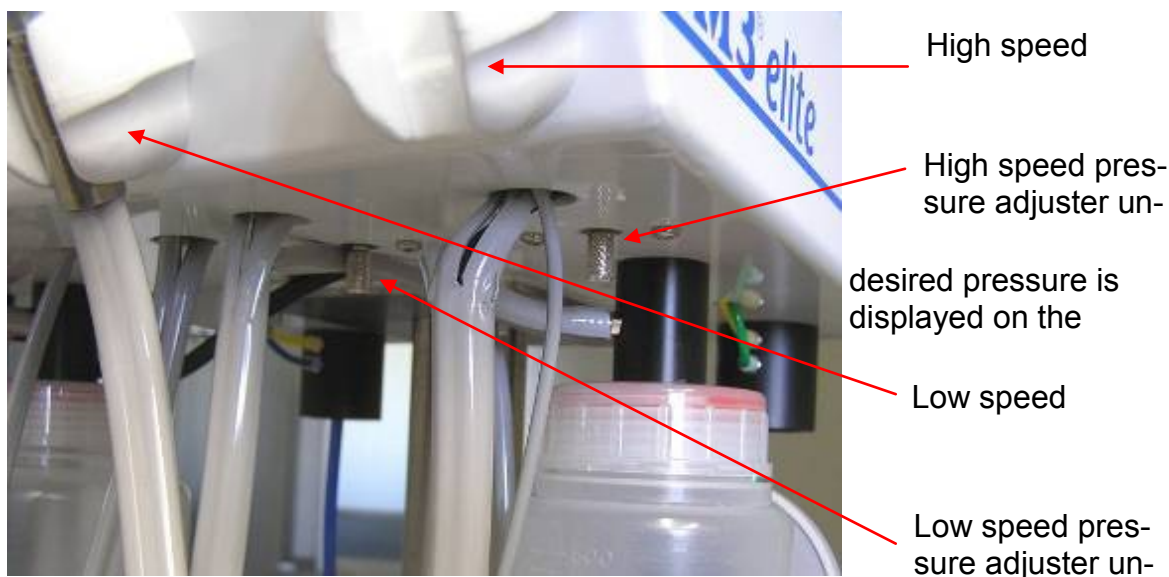
The soft tissue kit should be used on an iM3 1:1 straight nose cone - Blue

iM3 Handpiece Pressure Adjustment

Handpiece Pressure Adjustment

The high and low speed handpieces should be set to a specific pressure. The handpiece pressure adjustment is located underneath each handpiece holder. It is a silver knurled knob.

Turn the unit on and remove the handpiece to be adjusted. Depress the foot pedal and turn the knurled knob located under the handpiece holders. Adjust until the



handpiece pressure gauge by turning the knob clockwise or anti-clockwise.

PRESSURE IS READ ON THE HANDPIECE PRESSURE GAUGE

Low Speed Handpiece **35-40 psi***

High Speed LED Handpiece **40 psi***



- *Please check with the handpiece manufacturer regarding specific operational pressures.*

NOTE: Check the pressure on the Compressor Regulator is set at 80psi.

Lubrication of HS & LS Handpieces L5200 & L6200

Refer to separate handpiece manual.

All handpieces should be lubricated regularly. We recommend the use of MD-30 handpiece oil before use and after 30 minutes of running time. The foot pedal should be depressed for 5-10 seconds after oiling to ensure the lubricant will reach the turbines and working portions of the handpiece.

The lubricant is placed in the smaller of the 2 large holes.
“Air entry hole” at the base of the handpiece.



**Maintenance instructions are printed on
the back of the dental machine**

NOTE:

**DON'T FORGET TO DEPRESS
THE FOOT CONTROL AFTER
OILING TO ENSURE LUBRICANT
REACHES THE TURBINES.**



Sterilization

Refer to handpiece operating manual.

HIGH SPEED HANDPIECE

Handpieces should be thoroughly cleaned to remove any foreign particles, eg; blood, saliva etc. Make sure that the turbine cartridge and head cavity are clean before autoclaving. If autoclaved with bloody particles in the turbine housing, autoclaving will cause particles to be scorched and damage to the turbine may result.

The exterior of the handpiece may be cleaned with any good surgical disinfectant. Be sure to rinse and dry thoroughly. Lubricate handpiece turbine with MD-30 Lubricant. Refer to handpiece operating manual.

LOW SPEED HANDPIECE

Prepare handpiece and attachments for sterilization by carefully cleaning the exterior surface. Thoroughly scrub, rinse and clean away any residual solution and particles. Remove moisture with a towel or use air from the 3 way air water syringe.

1. Prior to sterilization, lubricate the handpiece using MD-30 Lubricant.

HANDPIECES: Apply oil through the handpiece air inlet tube. (see page 17)

ATTACHMENT: Remove attachment from handpiece and oil through both end openings.

Note: *After lubricating items, assemble and operate for a few seconds to expel excess lubricant.*

2. Seal items in sterilization tubing bags. Make sure to remove bur from handpiece prior to sealing.
3. Place handpiece or attachments in sterilization trays of dry heat sterilizer or steam autoclave. Do not exceed temperatures of 275°F or 135°C. Sterilize according to manufacturers instructions.
4. After sterilization cycle is completed, allow handpieces and attachments to cool down then lubricate handpiece and attachments thoroughly. Make sure to use a different container after sterilization cycle, to prevent recontaminating.

Note: Lubricate handpieces using MD-30 Lubricant after cooling down, do not allow handpiece to sit in sealing bag overnight or for a long period. Immediately operate handpiece as described in the following step.

5. After lubricating items, insert bur into handpieces and operate for a few seconds to remove excess lubricant.

Do not autoclave the high speed handpiece with a bur in the chuck.

Handpiece Maintenance

All Handpieces have a working life which can be extended by maintaining the correct operating pressures and speeds as well as adequate lubrication.

The working life of most Handpieces turbines is 12-24 months, however, this will depend upon the degree of care taken and the amount of use.

Preventative maintenance will ensure a working Handpiece at all times.

Handpiece	Daily	Weekly	Monthly	Yearly
iM3 Low Speed Handpiece Oil in smaller of 2 big holes. Depress the foot pedal for 10 seconds to ensure the oil reaches the Turbine (page 17)	Oil AM or PM before or after use. 2-3 drops Use iM3 MD-30 Lubricant.			Replace turbine and 'o' rings and sealing gasket. If worn
iM3 High Speed Handpiece as per the instructions for the Low speed above. Page 17.	Oil AM or PM before or after use. 2-3 drops Oil with MD-30 Lubricant.			Replace turbine and 'o' rings and sealing gasket. If worn
Prophy Head R&R Oscillating	Dispose of prophy head between patients to prevent cross contamination			

Silent Hurricane Compressor

Oil Free

The compressor is perhaps the most crucial part of any dental system as it supplies the valuable air needed to run handpieces and pressurize the water and cooling system.

The regulator/pressure gauge should be set to read 70 p.s.i./5 BAR. The tank pressure gauge should read 110 p.s.i./7.5 BAR. See page 27

Operating the Silent Hurricane Oil Free Compressor

1. Connect the unit to the appropriate voltage.
2. Check that the air tank on/off valve is closed. See page 24.
3. Switch unit on at the mains (power outlet).
4. Turn unit on at switch situated on top of the pressure switch. See page 24.
6. Motor should now run and will stop running when 110 p.s.i./7.5 BAR. has been reached.
7. Connect the grey air line from dental unit to the compressor and turn air tank valve to the ON position. See page 28

Identifying Air Leaks

To ensure the Silent Hurricane Compressor Motor is not subjected to higher than normal operating temperatures, each iM3 Dental unit should be checked for air leaks at regular intervals, the easiest way to check for air leaks is to pump the compressor tank up to 110 p.s.i./7.5 BAR. and turn the motor off. Make sure the air line to the dental head is connected and the tank valve left in the open position with the pressure switch for the water bottles also turned on.

Once the tank has been pumped to 110 p.s.i./7.5 BAR., check the pressure in the tank 10 minutes later. If the pressure has dropped more than 10% during that time then the unit is leaking air which should be identified and remedied to ensure the compressor motor does not overheat due to excessive running caused by the air leak.

Model: Silent Hurricane Oil Free compressor

Voltage: 220-240 50Hz

900W

Maximum operating Pressure 110psi (770KPa)

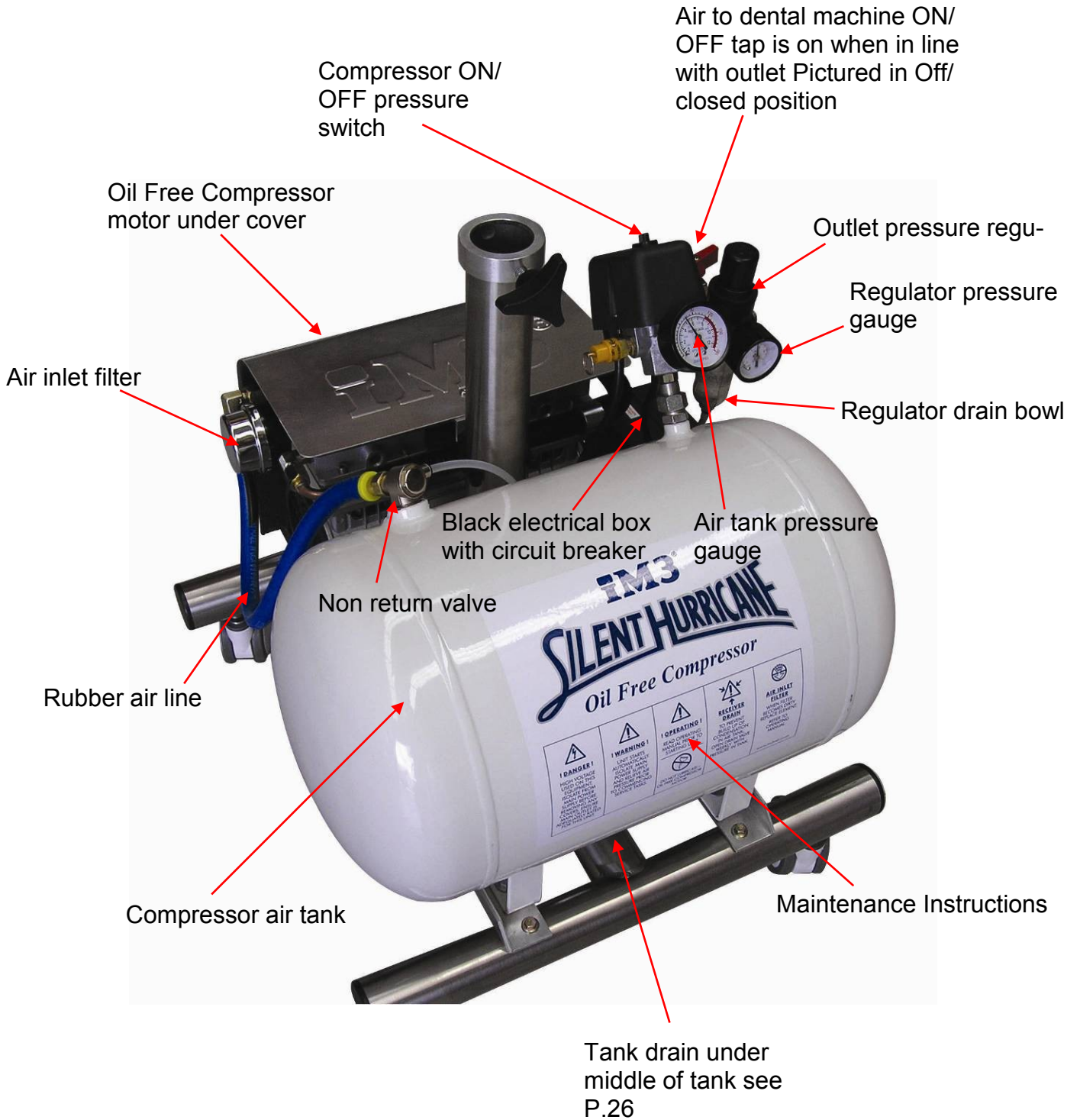


Manufactured By: iM3 Pty Ltd, Sydney Australia.
www.im3vet.com

iM3 Dental Systems

iM3 Silent Hurricane Oil Free Compressor

**Circuit breaker located on the side of Black electrical box.
Push to Reset**



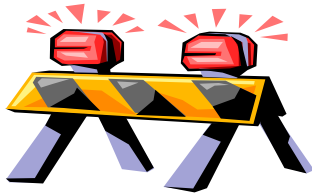
Silent Hurricane Compressor

Adjusting Regulator Air Pressure

With the Dental Unit pressurised and air lines turned ON, the black knob on top of the regulator is pulled up from the locked to the free position to adjust air pressure (see picture page 26). Depress the black knob after setting to lock pressure adjustment.

The regulator gauge registers working or air line pressure which may be increased by turning clockwise and lowered by turning anti clockwise.

The pressure air line gauge will register the working pressure, which should be 80 p.s.i.



Warning

Unit starts automatically. Isolate power supply and relieve air pressure by opening tank ON/OFF valve prior to commencing non electrical service tasks.

"This appliance is not intended for use by persons (including children) with reduced physical, sensory or mental capabilities, or lack of experience and knowledge, unless they have been given supervision or instruction concerning use of the appliance by a person responsible for their safety."



Danger

High voltage used on this equipment.
Isolate from mains before removing any covers, which should only be carried out by a qualified electrician .
Ensure power outlet is adequately rated for this unit.

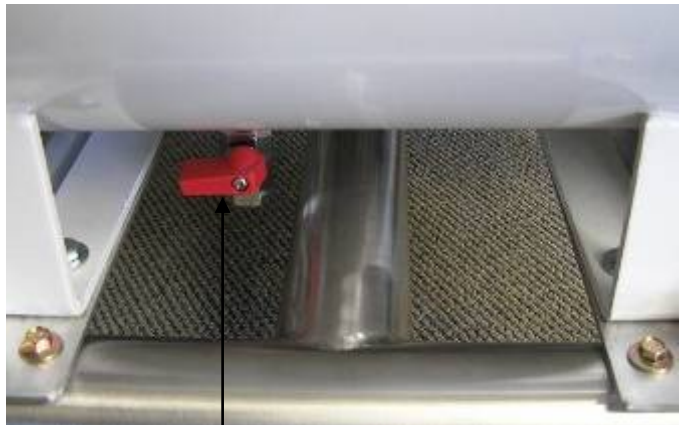
Silent Hurricane Compressor Maintenance

Feature	Daily	Weekly	Monthly	Yearly
Silent Hurricane Compressor		To drain condensation, first reduce air pressure in tank to 20psi by opening air ON/OFF valve. Drain moisture from main compressor tank by opening the valve in the bottom of the white tank slowly to prevent the moisture from spraying.		Change air inlet filter on compressor motor.
Regulator - Auto Drain Filter	Automatic, when tank drained of moisture			Replace regulator filter.
Regulator - Air Pressure	Check that correct air pressure is being delivered.	See Adjusting Regulator Air Pressure on Page 24.		
Contact iM3 for your yearly compressor service kit.				

Compressor air regulator adjustment knob



Air ON / OFF (valve pictured in ON or open position)



Air inlet quick disconnect line, supplying air to dental machine

Compressor tank drain, located under white air tank—**open slowly**

Handpiece Trouble Shooting

High Speed Handpiece

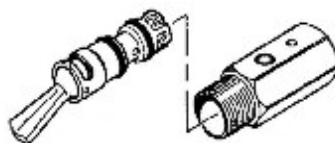
PROBLEM	CAUSE	SOLUTION
No Water Flow in Handpiece	<ol style="list-style-type: none"> 1. Compressor not ON. 2. Water Flow Control not ON (P4-E). 3. Water/CLS Bottle Empty. 4. Check for a 'kink' in the water line. 5. Check if 3 way syringe has Water. 6. Use of tap water, blocking water valves. 7. Low regulator pressure. 	<ol style="list-style-type: none"> 1. Turn compressor ON and check that ON/ OFF tap is in the ON position. 2. Turn water control to ON. 3. Fill water/CLS Bottle(s). 4. Check lines and pressure. 5. If yes, lack of water must be in the valves or the handpiece. The 3 way syringe is the quickest way to check for water. 6. Valves will need replacing. 7. Check regulator is set at 80 PSI.
Mineral Accumulation	<ol style="list-style-type: none"> 1. Use of tap water - mineral or chemical action blockage will usually take 3-4 years to occur. 2. Verdigrease (Green Slime) build up in brass water valves due to chemical reaction with tap water. 	<ol style="list-style-type: none"> 1. Pass a fine wire through the water intake hole. Pass another fine wire through the hole in the handpiece head. Pass the wire as far as possible each way. 'Blow out' the loosened mineral deposits. 2. Replace valves.
Use of Chlorhexidine	<ol style="list-style-type: none"> 1. Most brands of Chlorhex will deposit out of solution and block valves, etc. CLS is designed to be used in its diluted strength without depositing. NOTE: Do not dilute CLS beyond its label recommendations or it could result in deposits. 2. Chlorine in tap water will cause a flocculation and block filters and valves. 	<ol style="list-style-type: none"> 1. Contact your local Official Service Center. 2. Contact your local Official Service Center. Use only distilled water

Cartridge Toggle

Toggle switches become floppy

All iM3 dental units use a unique cartridge system for the toggle switches. The toggles are used to pressurize the water/CLS bottles and select the low or high speed handpiece. When the o-rings become worn you simply push the cartridge in and turn a 1/4 turn anti clockwise. The cartridge can then be removed from the valve casing. To install a new toggle, locate the desired position, push and rotate a 1/4 turn clockwise. New toggles can be ordered from iM3 and installed by the user. Toggles can be installed in the 12, 3, 6 and 9 o'clock positions. If the toggle is in the wrong position simply remove and reposition. This procedure can be viewed on the dental DVD "Open Up" (available from iM3) and on the iM3 website at the following link:

http://www.compad.com.au/cms/im3vet/pages/iM_elite_film/222



Handpiece Trouble Shooting

Low Speed Handpiece

PROBLEM	CAUSE	SOLUTION
Handpiece won't run	<ol style="list-style-type: none"> 1. No or low air pressure. 2. If speed/direction ring in mid neutral position. 3. Air line improperly sealed. 4. Inferior oil; too much or more commonly too little oil or water in the turbine. 5. Broken drive head. 6. Attachment seized. 	<ol style="list-style-type: none"> 1. Check the air line to be sure the air is turned on and the line is unobstructed. 2. Move ring to either forward or reverse position. 3. Reconnect air line to handpiece making sure the gasket is fully contracted. 4. See lubrication instructions on page 19. 5. Contact your local official Service Center.

Low Speed Handpiece - Straight Nose Cone

PROBLEM	CAUSE	SOLUTION
Chuck Difficult to Open or Close	<ol style="list-style-type: none"> 1. Chuck housing screw missing. 2. Improper lubrication. 	<ol style="list-style-type: none"> 1. Replace chuck housing screw, contact your local official iM3 Service Center. 2. Lubricate using triflow, refer to page 19.

iM3 Inc
 12119 NE 99th Street Suite 2060
 Vancouver WA 98682 USA
 Tel (360) 254 2981 Fax (360) 254 2940

iM3 Pty Ltd
 9/31-33 Chaplin Drive
 Lane Cove NSW 2066 Australia
 Tel (02) 9420 5766 Fax (02) 9420 5677

www.im3vet.com