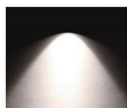


Examination Light

Super Exam[®] LED White Light & Super Exam[®] LED with Adjustable Color

Delivering superior illumination to a focused area, Burton's Super Exam LED is available in two models; white light, and adjustable color.



4000K



3500K

4000K

4500K

SE LED WHITE LIGHT

- Ideal for animal health, dental or basic exams
- 35,000 Lux at 39.37" (1 m)
- Fully dimmable for the perfect amount of light
- High performing energy efficient LED components are virtually maintenance free
- Night light, low light output mode to prevent disturbing patients

SE LED WITH ADJUSTABLE COLOR

- Ideal for Dermatology and general special lighting exams
- Adjustable color temperature of 3500K/4000K/4500K
- 24,000 Lux at 1 meter
- Intuitive and ergonomic for one-handed operation
- Lower color temperature emphasizes the reds, while the higher temperature provides cooler white for skin tones
- User-friendly control panel for color temperature

COMMON FEATURES

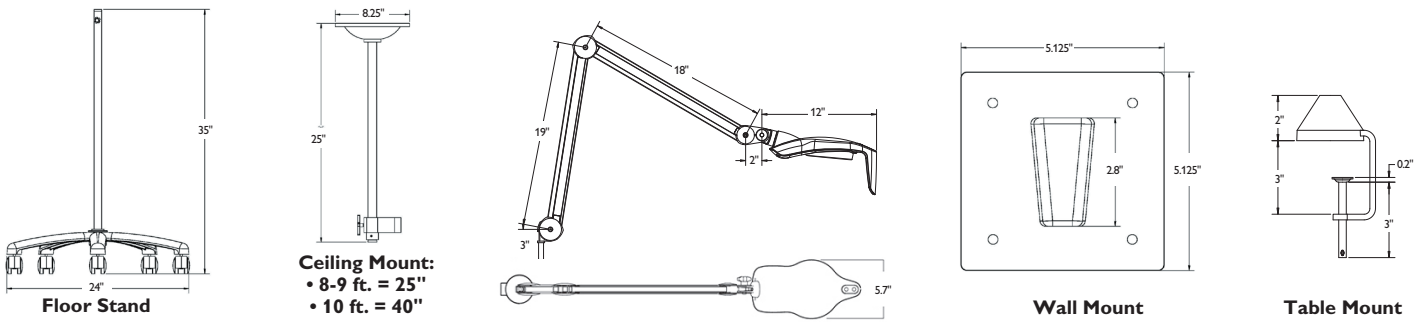
- SteriTouch[®] antimicrobial coating
- Powder-coated metal construction for durability
- Light source covered with tempered glass
- Smooth surface design for easy wipe down with hospital-grade disinfectants
- Dimming feature
- Industry-leading 5-year limited warranty
- Large handle & flexible yet precise arm make positioning easy



Phone - 800.233.0210

burton[®]
www.pennvet.com

Super Exam LED product dimensions



SUMMARY OF TECHNICAL DATA

	SE LED (WHITE LIGHT)	SE LED (WITH ADJUSTABLE COLOR)
Illuminance:	35,000 Lux at 39.37" (1 m)	24,000 Lux at 39.37" (1 m)
Color Temperature (Kelvin):	4000K	3500K/4000K/4500K (Adjustable)
CRI (Color Rendering Index):	>95	>95
Dimmable:	100% - 0%	100% - 0%
Light Source:	Light Emitting Diode (LED)	Light Emitting Diode (LED)
Rated Life:	50,000-hour average LED life	50,000-hour average LED life
Power:	20 Watts	20 Watts
Mounting Options:	Floor Stand, Single Ceiling Mount, Wall Mount and Table Mount	Floor Stand, Single Ceiling Mount, Wall Mount and Table Mount
Applications:	General examination	General examination
Certifications/Approvals:	ES 60601-1, IEC 60601-2-41, -1-6, EN 60601-1-2, CAN/CSA C22.2 NO. 60601-1	ES 60601-1, IEC 60601-2-41, -1-6, EN 60601-1-2, CAN/CSA C22.2 NO. 60601-1
Product warranty:	5-year limited warranty	5-year limited warranty

ORDERING INFORMATION Universal Input 100-240v 0-60Hz Model

SE LED (WL)	SE LED (AC)	DESCRIPTION	SE LED (WL)	SE LED (AC)	DESCRIPTION
SELEDFL	SELEDACFL	Floor Stand	SELEDC03	SELEDACC03	Ceiling Mount UK
SELEDFL01	SELEDACFL01	Floor Stand EU	SELEDC0310	SELEDACC0310	10 Ft Ceiling Mount UK
SELEDFL02	SELDACFL02	Floor Stand AS/NZS	SELEDT	SELEDACT	Table Mount
SELEDFL03	SELEDACFL03	Floor Stand UK	SELEDT01	SELEDACT01	Table Mount EU
SELEDC	SELEDACC	Ceiling Mount	SELEDT02	SELEDACT02	Table Mount AS/NZS
SELEDC10	SELEDACC10	10 Ft Ceiling Mount	SELEDT03	SELEDACT03	Table Mount UK
SELEDC01	SELEDACC01	Ceiling Mount EU	SELEDW	SELEDACW	Wall Mount
SELEDC0110	SELEDACC0110	10 Ft Ceiling Mount EU	SELEDW01	SELEDACW01	Wall Mount EU
SELEDC02	SELEDACC02	Ceiling Mount AS/NZS	SELEDW02	SELEDACW02	Wall Mount AS/NZS
SELEDC0210	SELEDACC0210	10 Ft Ceiling Mount AS/NZS	SELEDW03	SELEDACW03	Wall Mount UK

Note: The optical data are nominal values based on measurements calculated according to UL/IEC performance standards at 100v - 240v applications

IEC Plug Type



© 2021 Burton Medical. All rights reserved. Burton Medical reserves the right to make changes in specifications and/or to discontinue any product at any time without notice or obligation and will not be liable for any consequences resulting from the use of this publication.

burton®

Burton Medical, LLC
 2300 W Windsor Ct., Suite C
 Addison, IL 60101 USA
 Phone (800) 444-9909, Fax (800) 765-1770
 Burtonmedical.com