



Large Animal Division

by SEDECAL



MOBILE EQUINE MOBILE VET DIGITAL SYSTEM

SIMPLE. DEPENDABLE. SMART.

High Frequency Mobile X-Ray System
Digital | Analog



800.920.9525
Call for more information

www.VetRay.com



MOBILE

EQUINE MOBILE VET DIGITAL SYSTEM



SPECIFICATIONS

X-RAY GENERATOR

kW Rating	50 kW	
kVp Range	40 to 150 kVp	40 to 150 kVp
mA Range	10 - 500 mA Selectable	10 - 500 mA Selectable
Number of Stations	18	18
Exposure Time Range	0.001 - 10 sec.	0.001 - 10 sec.
mAs Range	0.1 - 500 mAs	0.1 - 500 mAs
Generator Integration	Yes, 3 PT technique	Yes, 3 PT technique
Battery / Capacitor	Battery / Capacitor	Battery / Capacitor
Anatomical Programs	500+ Anatomical settings	500+ Anatomical settings

X-RAY TUBE

Anode Heat Capacity	150 kHu	150 kHu
Focal Spot	0.6 / 1.2 mm	0.6 / 1.2 mm
Target Angle	12° (Optional 16°)	12° (Optional 16°)
Line Voltage Range and Phases	Single Phase Line Regulation from 100 - 240 Vac (+/-10%)	

MOBILE / SUPPORT STRUCTURE

Weight	963 lbs (438 kg)	963 lbs (438 kg)
Lock Release Points	5	5
Size (L x W x H)	48" x 25" x 87" in	48" x 25" x 87" in
Column Rotation	+/- 270°	+/- 270°
Tube Rotation	"X" Axis (+/- 180°) "Z" Axis (+/- 90°)	
Reach	48.8"	48.8"
Tube Travel	Vertical: 57" in (145 cm) Horizontal: 23.6" in (60 cm)	Vertical: 57" in (145 cm) Horizontal: 23.6" in (60 cm)
Motor Drive (Standard)	Two (2) independent drive motors, one for each wheel (forward and reverse)	
Battery Systems	Two (2) independent systems for drive and exposure	

DIGITAL DETECTOR (Optional)

Canon CXDI-50 Series (14" x 17" in)	n/a	Models: CXDI-50G, CXDI-50C
-------------------------------------	-----	----------------------------

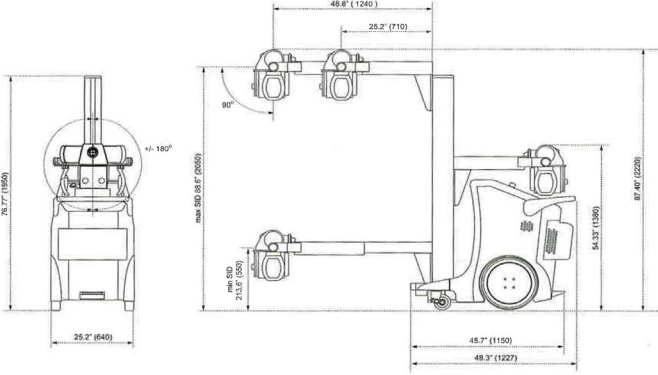
DIMENSIONS

Unit: Inches (mm)

Authorized Distributor:



Optional Viewing Station



* The appearance and specifications are subject to change for reasons of improvement without notice.
 * Certain configurations may not be available. Contact your VetRay representative for information on specific configurations.

Canon and CXDI are registered trademarks of Canon, Inc. in the United States and may also be registered trademarks or trademarks in other countries.