



Mixed Animal Solution

(Economical single detector solution)



For your busy mixed practice...finally a solution you can tailor to your unique needs.

You choose the detector that works best for you.

Canon 14 x 17 or 11 x 14

Viewworks 14 x 17 or 10 x 12
NEW Ruggedized -10 to 50 C

For your small animal work the DX-table with 4-way float top and 400 mA will allow you to image anything that fits on the table...and for your larger patients or mobile needs the WEPX system has a proven track record with large animal applications.



**SIMPLE
DEPENDABLE
SMART**



Pick the detector solution that works for your specific applications

Manufacturer	Canon			Vieworks			
Product Name	810C*	710C*	501C	1012T*	1417W*	1417S	1717N
Active Area	11 x 14	14 x 17	14 x 17	10 x 12	14 x 17	14 x 17	17 x 17
Scintillator	CsI	CsI	G or CSI	CsI	CsI	G or CSI	G or CSI
Pixel Pitch	125	125	125	124	140	140	140
Spatial Resolution	4.0lp/mm	4.0lp/mm	4.0lp/mm	4.0lp/mm	3.5lp/mm	3.5lp/mm	3.5lp/mm
Grayscale	16 bit	16 bit	12 bit	16 bit	14 bit	14 bit	14 bit
Weight	1.8kg	2.3kg	3.0kg	2.5kg	3.3kg	3.2kg	11kg
Operating Range	5-35 C	5-35 C	5 - 35 C	-20 to +50 C	10-35 C	10-35 C	10-35 C
Battery Life	110-1,000 images	110-1,000 images	Tethered	8Hr	4,000mAh	Tethered	Tethered
Dust & Water Resistant	IP X7	IP X7		IP 56			

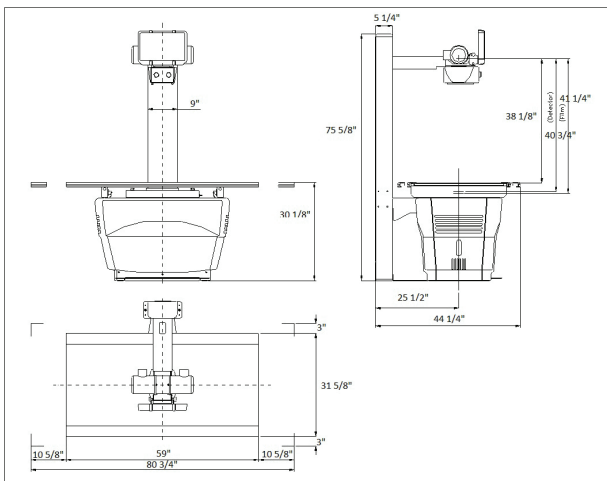
First digit X = not assigned a protection level

5 = Dust protected

Second digit 7 = Immersion, up to 1 m depth for 30 min.

6 = Powerful water jets

*All wireless detectors are automatically charged when inserted into the x-ray table as well as standalone chargers are provided for mobile applications.



PACS software and a PACS PC with Monitor Server is also included in this Mixed Animal Solution.

Optional - Cloud based storage with "in the field" uploading and remote viewing on any web enabled device. After uploading, the study can be emailed to your clients and they can view the images on any web enabled device. i.e. Smart phone, Tablet, Mac or PC